

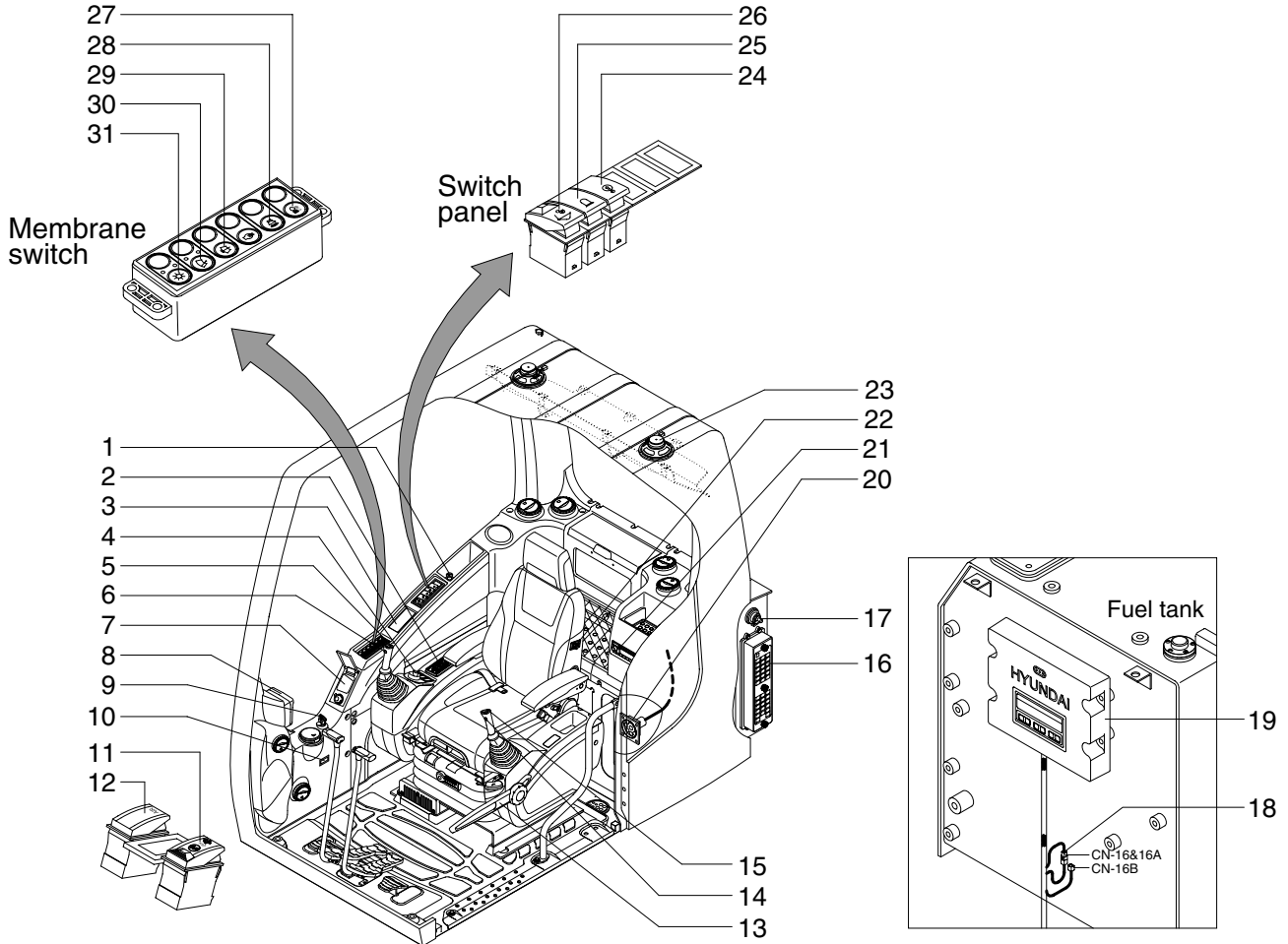
SECTION 4 ELECTRICAL SYSTEM

Group 1 Component Location	4-1
Group 2 Electrical Circuit	4-3
Group 3 Electrical Component Specification	4-22
Group 4 Connectors	4-30

SECTION 4 ELECTRICAL SYSTEM

GROUP 1 COMPONENT LOCATION

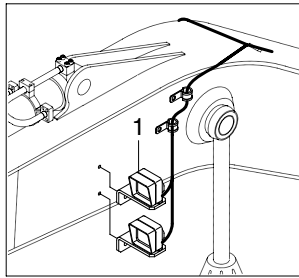
1. LOCATION 1



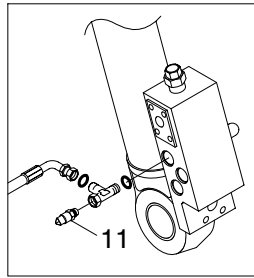
3809A4EL01

- | | | |
|--------------------------------|---------------------------------|------------------------|
| 1 Cigar light | 12 Air compressor switch | 23 Speaker |
| 2 Aircon & heater switch panel | 13 Safety lever | 24 Overload switch |
| 3 Remote controller | 14 Power max switch | 25 Beacon switch |
| 4 Accel dial switch | 15 One touch decel switch | 26 Quick clamp switch |
| 5 Horn switch | 16 Fuse & relay box | 27 Cab light switch |
| 6 Breaker operation switch | 17 Master switch | 28 Travel alarm switch |
| 7 Handsfree | 18 Emergency engine connector | 29 Washer switch |
| 8 Cluster | 19 MCU | 30 Wiper switch |
| 9 Starting switch | 20 RS232 & J1939 service socket | 31 Main light switch |
| 10 Service meter | 21 Radio & USB player | |
| 11 DPF switch | 22 Heated seat switch | |

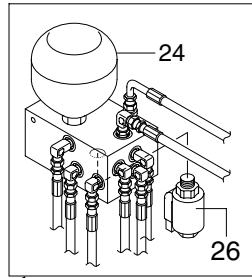
2. LOCATION 2



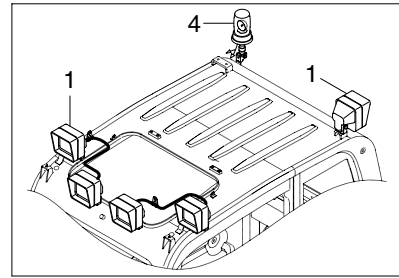
BOOM



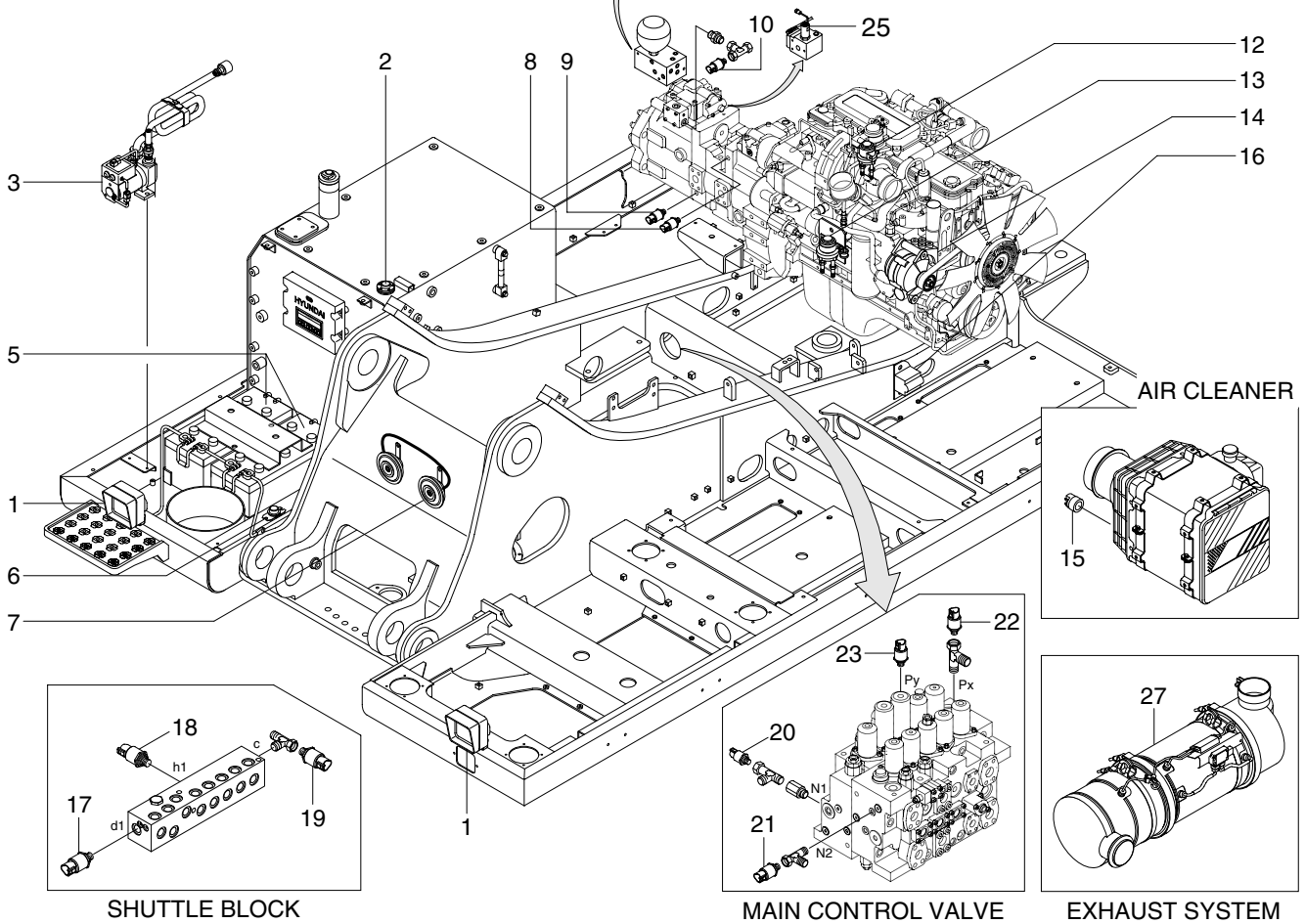
BOOM SAFETY VALVE



SOLENOID VALVE



CAB



SHUTTLE BLOCK

MAIN CONTROL VALVE

EXHAUST SYSTEM

3809A4EL02

- | | | |
|----------------------|------------------------------------|-----------------------------------|
| 1 Lamp | 10 EPPR pressure sensor | 19 Swing pressure sensor |
| 2 Fuel sender | 11 Overload pressure sensor | 20 Nega control 1 pressure sensor |
| 3 Fuel filler pump | 12 Heater relay | 21 Nega control 2 pressure sensor |
| 4 Beacon lamp | 13 Start relay | 22 Attach pressure sensor |
| 5 Battery | 14 Alternator | 23 Travel pressure sensor |
| 6 Battery relay | 15 Air cleaner sensor | 24 Solenoid valve |
| 7 Horn | 16 Travel alarm buzzer | 25 Pump EPPR valve |
| 8 P1 pressure sensor | 17 Arm / bucket in pressure sensor | 26 Boom priority EPPR valve |
| 9 P2 pressure sensor | 18 Boom up pressure sensor | 27 Aftertreatment device |