

GROUP 9 BOOM, ARM AND BUCKET CYLINDER

1. REMOVAL AND INSTALL

1) BUCKET CYLINDER

(1) Removal

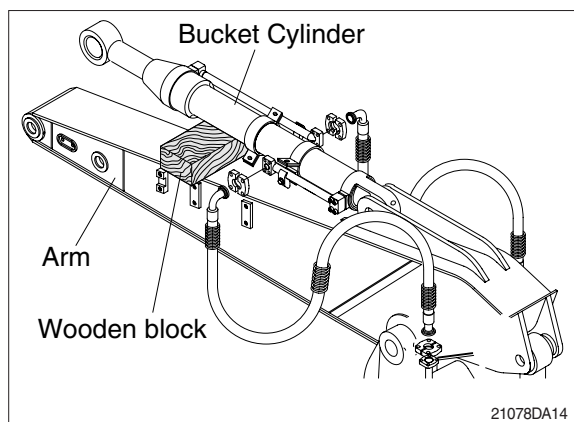
※ Expand the arm and bucket fully, lower the work equipment to the ground and stop the engine.

※ Operate the control levers and pedals several times to release the remaining pressure in the hydraulic piping.

▲ Loosen the breather slowly to release the pressure inside the hydraulic tank.

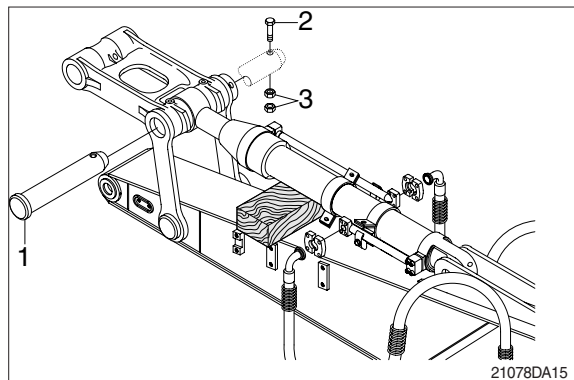
※ Escaping fluid under pressure can penetrate the skin causing serious injury. Fit blind plugs in the hoses after disconnecting them, to prevent dirt or dust from entering.

① Set block between bucket cylinder and arm.

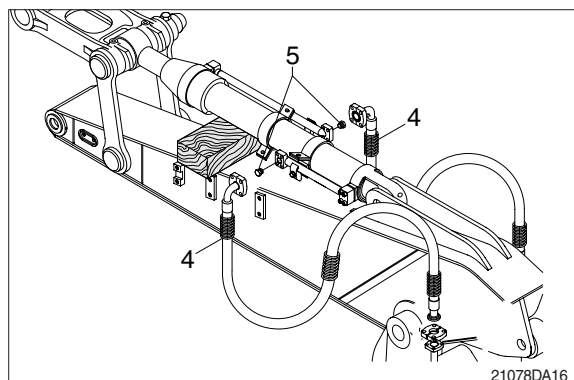


② Remove nuts (3), bolt (2) and pull out pin (1).

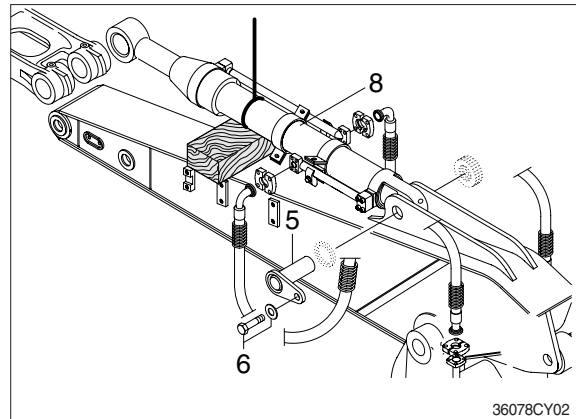
※ Tie the rod with wire to prevent it from coming out.



③ Disconnect bucket cylinder hoses (4) and put plugs (5) on cylinder pipe.



- ④ Sling bucket cylinder assembly, and remove bolt (6), plate (7) then pull out pin (5).
- ⑤ Remove bucket cylinder assembly (8).
 - Weight : 320 kg (710 lb)



(2) Install

- ① Carry out installation in the reverse order to removal.
- ▲ When aligning the mounting position of the pin, do not insert your fingers in the pin hole.**
- ※ Bleed the air from the bucket cylinder.
 - ※ Confirm the hydraulic oil level and check the hydraulic oil leak or not.

2) ARM CYLINDER

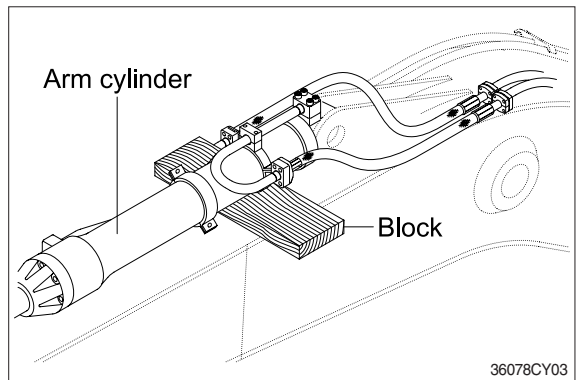
(1) Removal

- ※ Expand the arm and bucket fully, lower the work equipment to the ground and stop the engine.
- ※ Operate the control levers and pedals several times to release the remaining pressure in the hydraulic piping.

▲ Loosen the breather slowly to release the pressure inside the hydraulic tank.

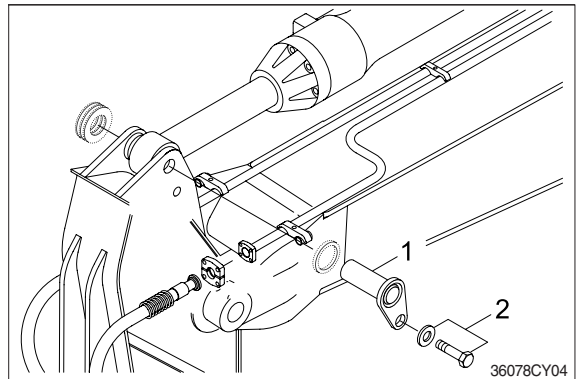
- ※ Escaping fluid under pressure can penetrate the skin causing serious injury. Fit blind plugs in the hoses after disconnecting them, to prevent dirt or dust from entering.

- ① Set block between arm cylinder and boom.



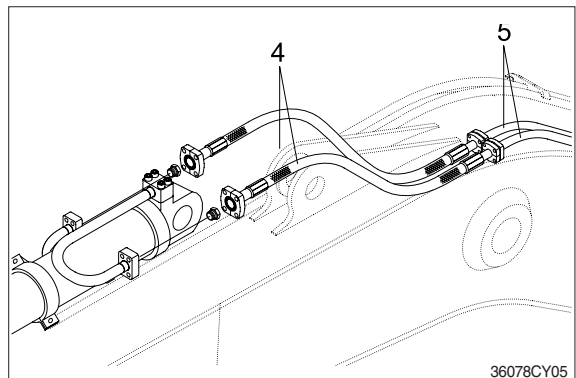
- ② Remove bolt (2) and pull out pin (1).

- ※ Tie the rod with wire to prevent it from coming out.

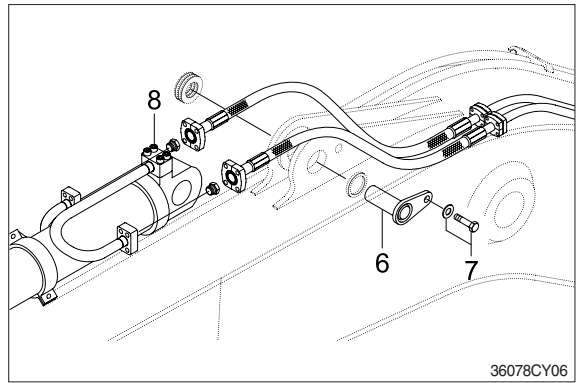


- ③ Disconnect arm cylinder hoses (4) and put plugs on cylinder pipe.

- ④ Disconnect greasing pipings (5).



- ⑤ Sling arm assembly (9), and remove bolt (7), plate (8) then pull out pin (6).
- ⑥ Remove arm cylinder assembly (9).
 - Weight : 490 kg (1080 lb)



(2) Install

- ① Carry out installation in the reverse order to removal.
- ▲ When aligning the mounting position of the pin, do not insert your fingers in the pin hole.**
- ※ Bleed the air from the arm cylinder.
 - ※ Confirm the hydraulic oil level and check the hydraulic oil leak or not.

3) BOOM CYLINDER

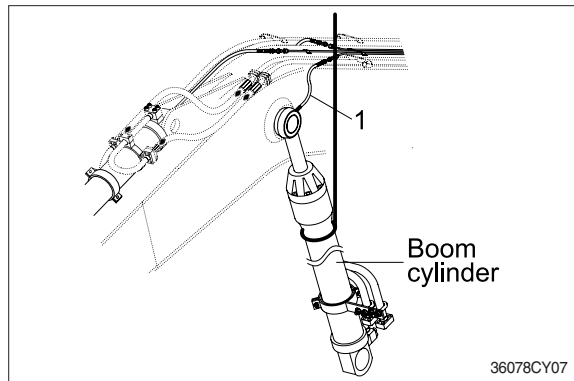
(1) Removal

- ※ Expand the arm and bucket fully, lower the work equipment to the ground and stop the engine.
- ※ Operate the control levers and pedals several times to release the remaining pressure in the hydraulic piping.

▲ Loosen the breather slowly to release the pressure inside the hydraulic tank.

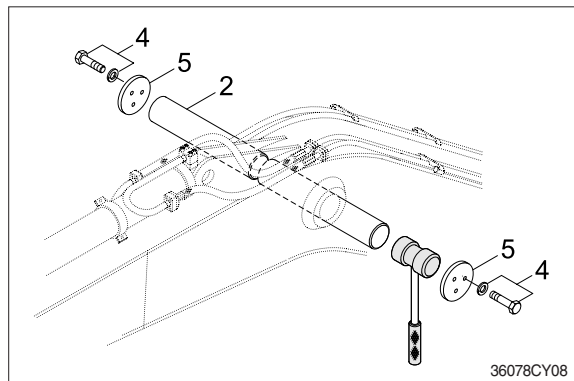
- ※ Escaping fluid under pressure can penetrate the skin causing serious injury. Fit blind plugs in the hoses after disconnecting them, to prevent dirt or dust from entering.

- ① Disconnect greasing hoses (1).
- ② Sling boom cylinder assembly.

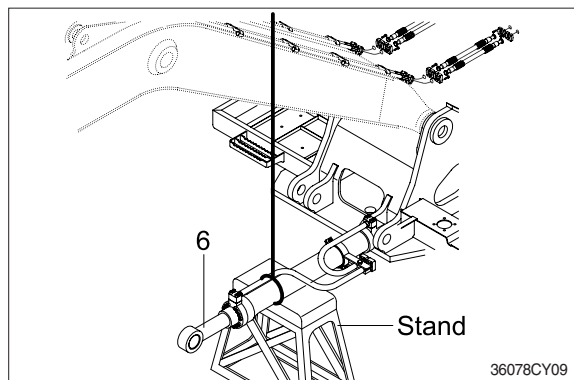


- ③ Remove bolt (4), stop plate (5) and pull out pin (2).

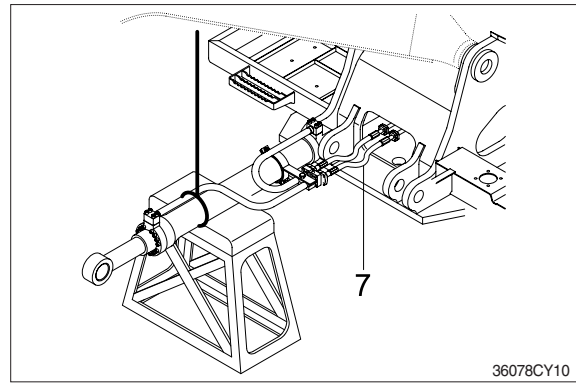
- ※ Tie the rod with wire to prevent it from coming out.



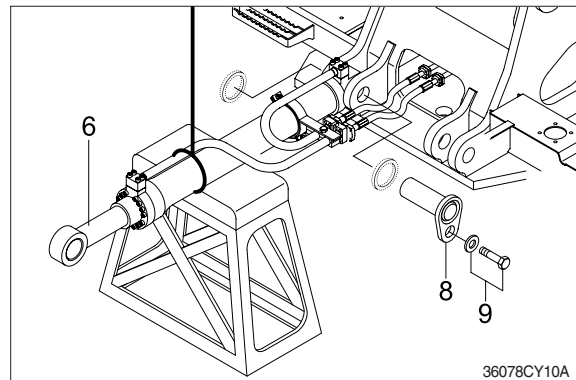
- ④ Lower the boom cylinder assembly (6) on a stand.



- ⑤ Disconnect boom cylinder hoses (7), and put plugs on cylinder pipe.



- ⑥ Remove bolt (9) and pull out pin (8).
⑦ Remove boom cylinder assembly (6).
· Weight : 370 kg (820 lb)



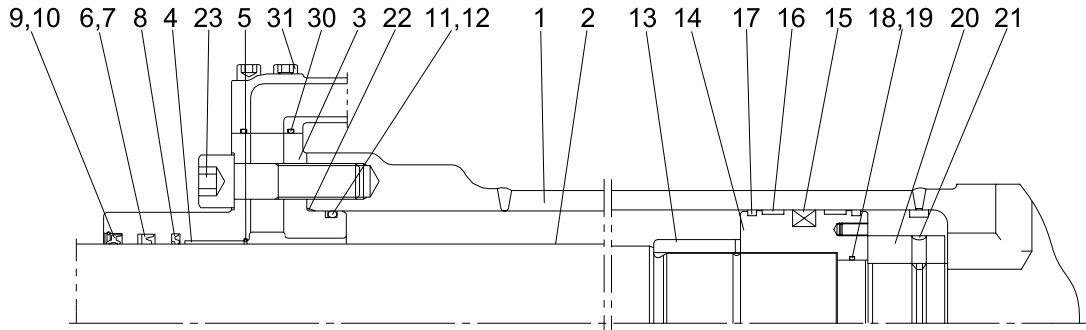
(2) Install

- ① Carry out installation in the reverse order to removal.
- ▲ When aligning the mounting position of the pin, do not insert your fingers in the pin hole.
- ※ Bleed the air from the boom cylinder.
 - ※ Confirm the hydraulic oil level and check the hydraulic oil leak or not.

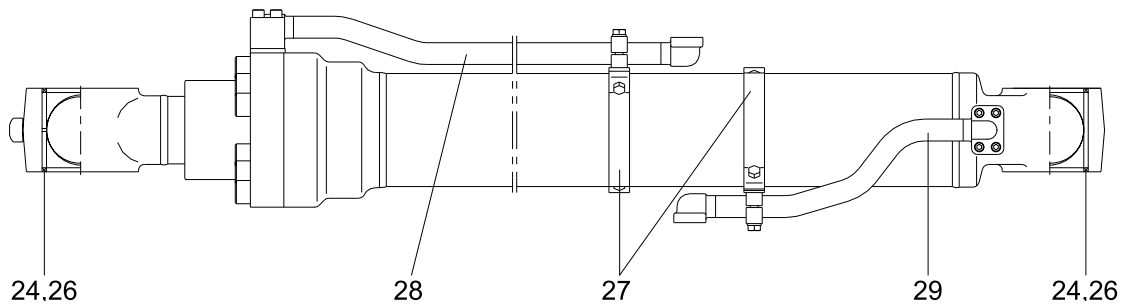
2. DISASSEMBLY AND ASSEMBLY

1) STRUCTURE

(1) Bucket cylinder



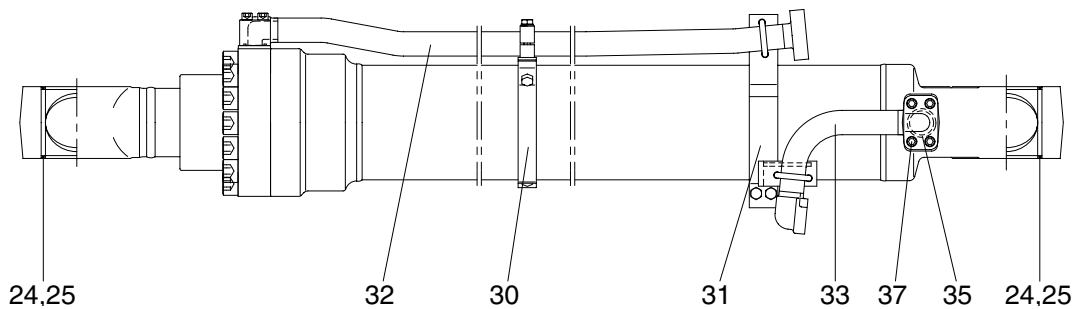
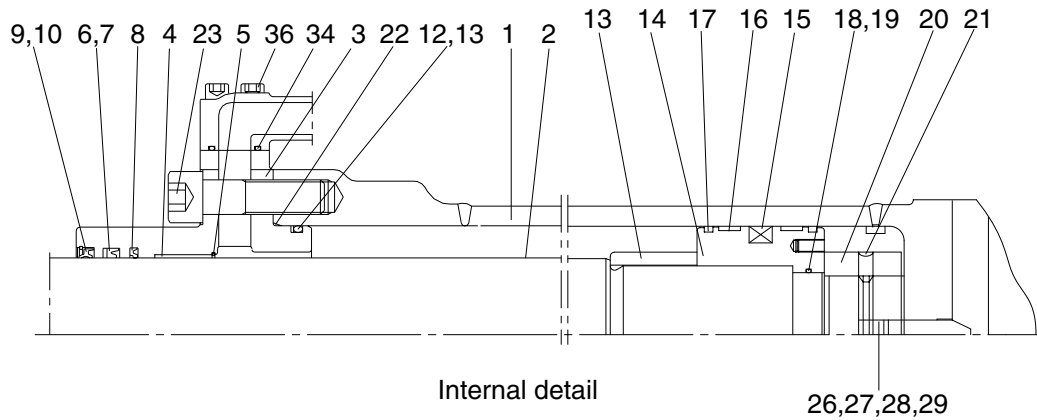
Internal detail



38098CY01A

1	Tube assembly	12	Back up ring	23	Hexagon socket head bolt
2	Rod assembly	13	Cushion ring	24	Pin bushing
3	Gland	14	Piston	25	Pin bushing
4	DD2 bushing	15	Piston seal	26	Dust seal
5	Snap ring	16	Wear ring	27	Band assembly
6	Rod seal	17	Dust ring	28	Pipe assembly (R)
7	Back up ring	18	O-ring	29	Pipe assembly (B)
8	Buffer ring	19	Back up ring	30	O-ring
9	Dust wiper	20	Lock nut	31	Hexagon socket head bolt
10	Snap ring	21	Set screw		
11	O-ring	22	O-ring		

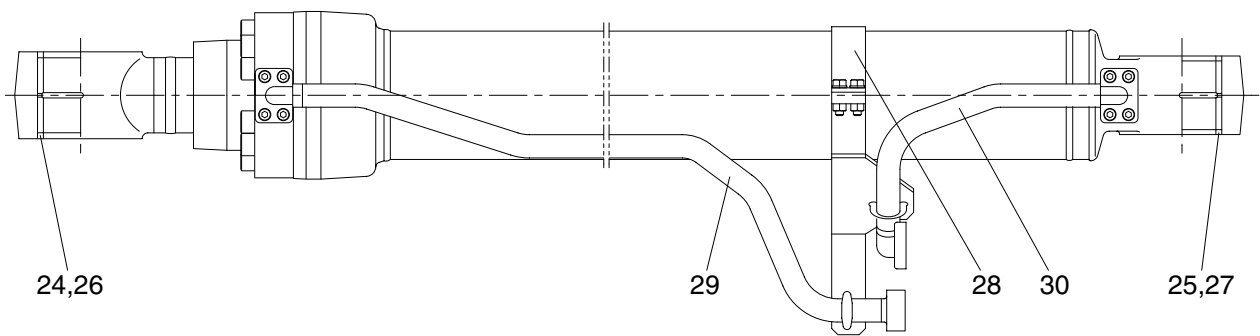
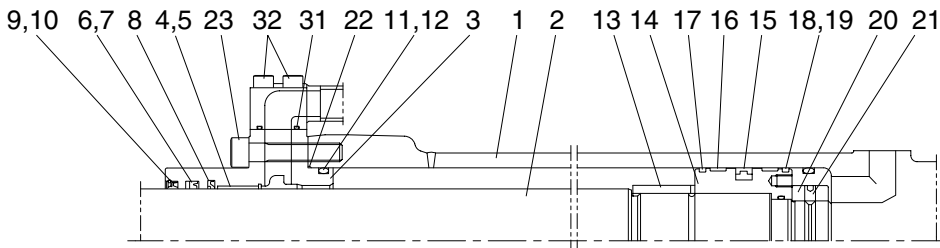
(2) Arm cylinder



38098CY02

1	Tube assembly	14	Piston	27	Coil spring
2	Rod assembly	15	Piston seal	28	O-ring
3	Gland	16	Wear ring	29	Plug
4	DD2 bushing	17	Dust ring	30	Band assembly (R)
5	Snap ring	18	O-ring	31	Band assembly (B)
6	Rod seal	19	Back up ring	32	Pipe assembly (R)
7	Back up ring	20	Lock nut	33	Pipe assembly (B)
8	Buffer ring	21	Set screw	34	O-ring
9	Dust wiper	22	O-ring	35	O-ring
10	Snap ring	23	Hexagon socket head bolt	36	Hexagon socket head bolt
11	O-ring	24	Pin bushing	37	Hexagon socket head bolt
12	Back up ring	25	Dust seal		
13	Cushion ring	26	Check valve		

(3) Boom cylinder

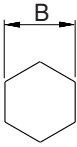


3809A8CY03

- | | | | | | |
|----|---------------|----|--------------|----|--------------------------|
| 1 | Tube assembly | 12 | Back up ring | 23 | Hexagon socket head bolt |
| 2 | Rod assembly | 13 | Cushion ring | 24 | Pin bushing (R) |
| 3 | Gland | 14 | Piston | 25 | Pin bushing (B) |
| 4 | DD2 bushing | 15 | Piston seal | 26 | Dust seal |
| 5 | Snap ring | 16 | Wear ring | 27 | Dust seal |
| 6 | Rod seal | 17 | Dust ring | 28 | Band assembly |
| 7 | Back up ring | 18 | O-ring | 29 | Pipe assembly (R) |
| 8 | Buffer ring | 19 | Back up ring | 30 | Pipe assembly (B) |
| 9 | Dust wiper | 20 | Lock nut | 31 | O-ring |
| 10 | Snap ring | 21 | Set screw | 32 | Hexagon socket head bolt |
| 11 | O-ring | 22 | O-ring | | |

2) TOOLS AND TIGHTENING TORQUE

(1) Tools

Allen wrench	10	
	19	
Spanner	19	
(-) Driver	Small and large sizes	
Torque wrench	Capable of tightening with the specified torques	

(2) Tightening torque

Part name		Item	Size	Torque	
				kgf · m	lbf · ft
Socket head bolt	Bucket cylinder	23	M20	46 ± 5	333 ± 36.1
	Boom cylinder	23	M22	63 ± 6	456 ± 43.4
	Arm cylinder	23	M22	63 ± 6	456 ± 43.4
Socket head bolt	Bucket cylinder	31	M12	9.4 ± 1	68.0 ± 7.2
	Boom cylinder	32	M12	9.4 ± 1	68.0 ± 7.2
	Arm cylinder	36	M12	9.4 ± 1	68.0 ± 7.2
		37	M12	9.4 ± 1	68.0 ± 7.2
Lock nut	Bucket cylinder	20	M76	100 ± 10	723 ± 72.3
	Boom cylinder	20	M80	150 ± 15	1085 ± 108
	Arm cylinder	20	M90	150 ± 15	1085 ± 108
Piston	Bucket cylinder	14	-	150 ± 15	1085 ± 109
	Boom cylinder	14	-	200 ± 20	1447 ± 145
	Arm cylinder	14	-	200 ± 20	1447 ± 145

3) DISASSEMBLY

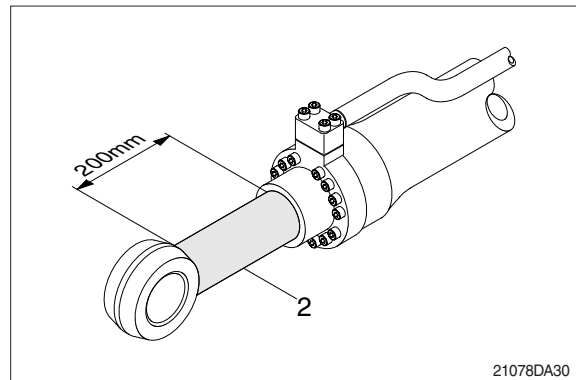
(1) Remove cylinder head and piston rod

※ Procedures are based on the bucket cylinder.

① Hold the clevis section of the tube in a vise.

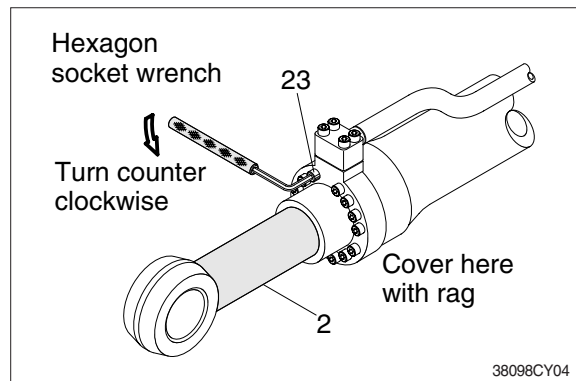
※ Use mouth pieces so as not to damage the machined surface of the cylinder tube. Do not make use of the outside piping as a locking means.

② Pull out rod assembly (2) about 200mm (7.1in). Because the rod assembly is rather heavy, finish extending it with air pressure after the oil draining operation.



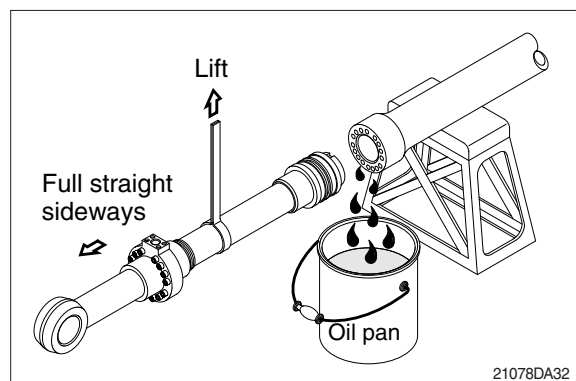
③ Loosen and remove socket bolts (23) of the gland in sequence.

※ Cover the extracted rod assembly (2) with rag to prevent it from being accidentally damaged during operation.



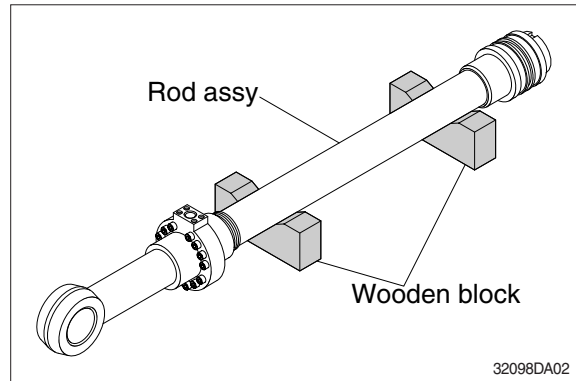
④ Draw out cylinder head and rod assembly together from tube assembly (1).

※ Since the rod assembly is heavy in this case, lift the tip of the rod assembly (2) with a crane or some means and draw it out. However, when rod assembly (2) has been drawn out to approximately two thirds of its length, lift it in its center to draw it completely.



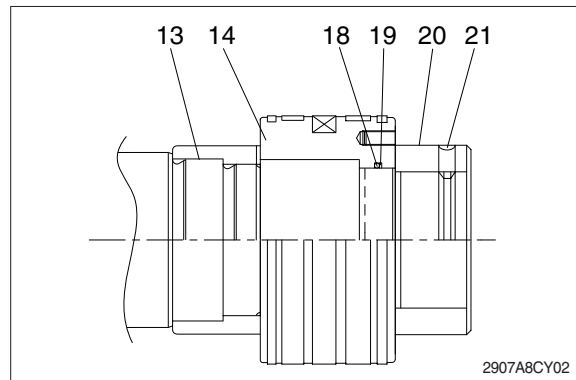
Note that the plated surface of rod assembly (2) is to be lifted. For this reason, do not use a wire sling and others that may damage it, but use a strong cloth belt or a rope.

- ⑤ Place the removed rod assembly on a wooden V-block that is set level.
- ※ Cover a V-block with soft rag.

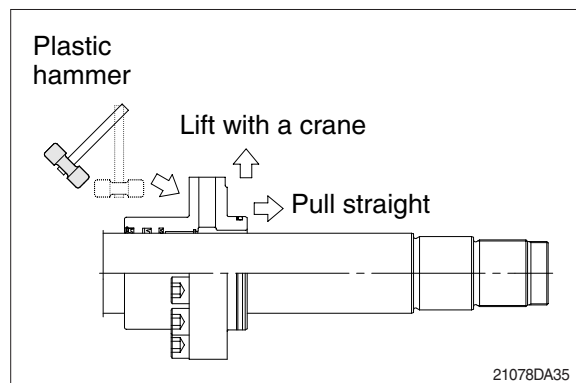


(2) Remove piston and cylinder head

- ① Loosen socket set screw (21) and remove set screw (21).
- ※ Since set screw (21) and lock nut (20) is tightened to a high torque, use a hydraulic and power wrench that utilizes a hydraulic cylinder, to remove the lock set screw (21) and lock nut (20).
- ② Remove piston assembly (14), back up ring (19), and O-ring (18).

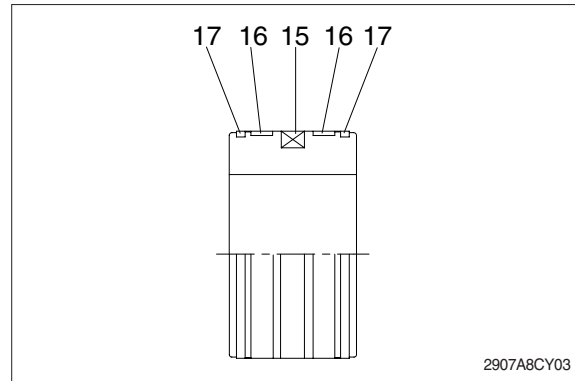


- ③ Remove the cylinder head assembly from rod assembly (2).
 - ※ If it is too heavy to move, move it by striking the flanged part of cylinder head with a plastic hammer.
 - ※ Pull it straight with cylinder head assembly lifted with a crane.
- Exercise care so as not to damage the lip of rod bushing (4) and packing (5,6,7,8,9,10) by the threads of rod assembly (2).



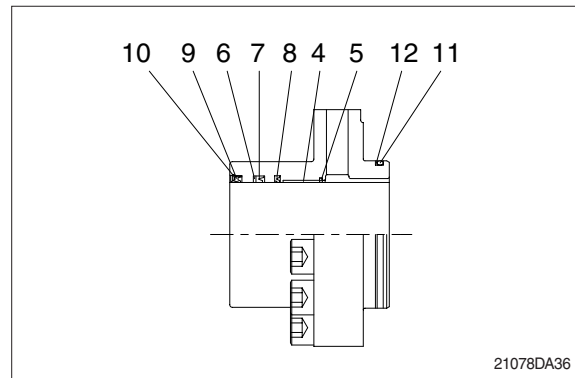
(3) Disassemble the piston assembly

- ① Remove wear ring (16).
 - ② Remove dust ring (17) and piston seal (15).
- ※ Exercise care in this operation not to damage the grooves.



(4) Disassemble cylinder head assembly

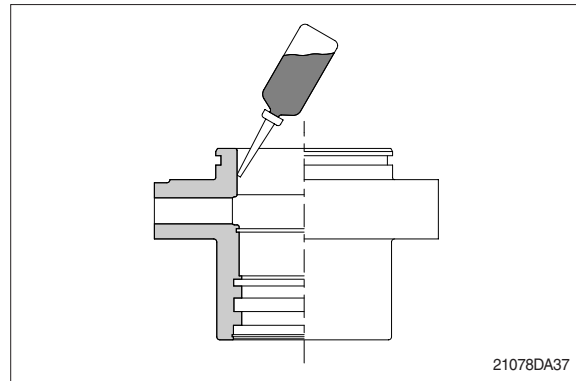
- ① Remove back up ring (12) and O-ring (11).
 - ② Remove snap ring (10), dust wiper (9).
 - ③ Remove back up ring (7), rod seal (6), buffer ring (8) and snap ring (5).
- ※ Exercise care in this operation not to damage the grooves.
- ※ Do not remove seal and ring, if does not damaged.
- ※ Do not remove bushing (4).



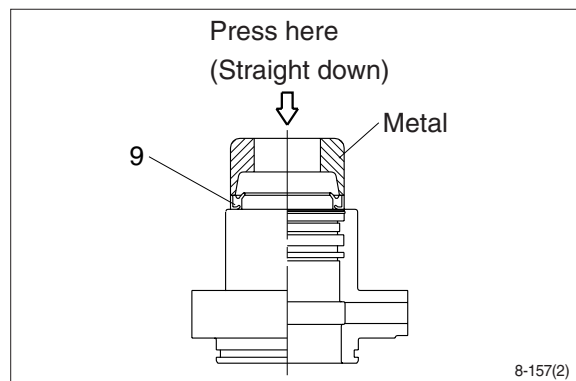
3) ASSEMBLY

(1) Assemble cylinder head assembly

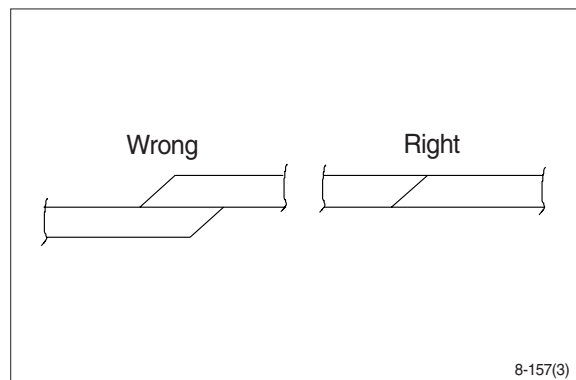
- ※ Check for scratches or rough surfaces if found smooth with an oil stone.
- ① Coat the inner face of gland (3) with hydraulic oil.



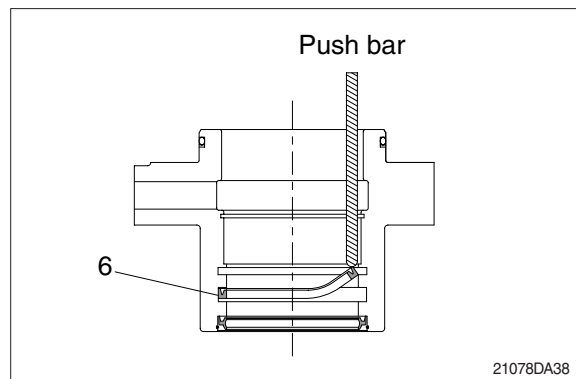
- ② Coat dust wiper (9) with grease and fit dust wiper (9) to the bottom of the hole of dust seal.
At this time, press a pad metal to the metal ring of dust seal.
- ③ Fit snap ring (10) to the stop face.



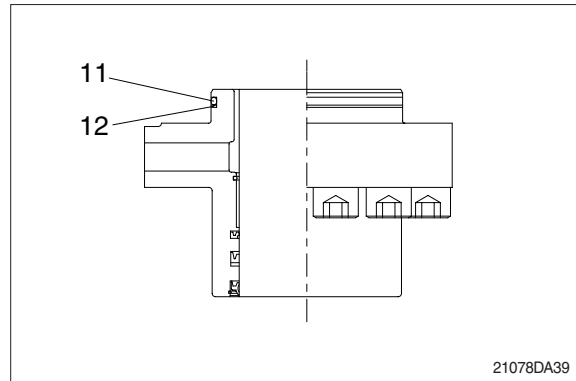
- ④ Fit back up ring (7), rod seal (6) and buffer ring (8) to corresponding grooves, in that order.
※ Coat each packing with hydraulic oil before fitting it.
※ Insert the backup ring until one side of it is inserted into groove.



- ※ Rod seal (6) has its own fitting direction. Therefore, confirm it before fitting them.
- ※ Fitting rod seal (6) upside down may damage its lip. Therefore check the correct direction that is shown in fig.

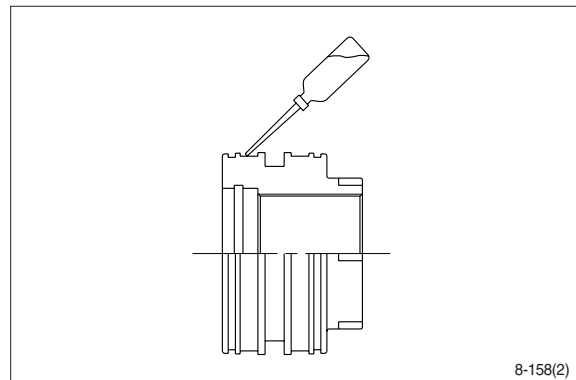


- ⑤ Fit back up ring (12) to gland (3).
- ※ Put the backup ring in the warm water of 30~50°C.
- ⑥ Fit O-ring (11) to gland (3).

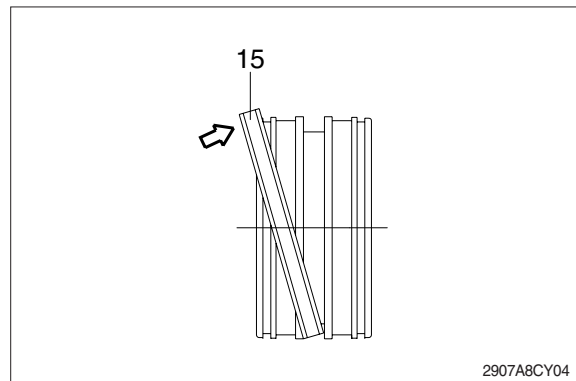


(2) Assemble piston assembly

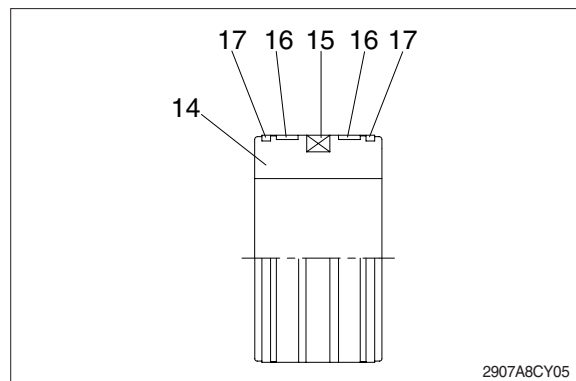
- ※ Check for scratches or rough surfaces. If found smooth with an oil stone.
- ① Coat the outer face of piston (14) with hydraulic oil.



- ② Fit piston seal (15) to piston.
- ※ Put the piston seal in the warm water of 60~100°C for more than 5 minutes.
- ※ After assembling the piston seal, press its outer diameter to fit in.

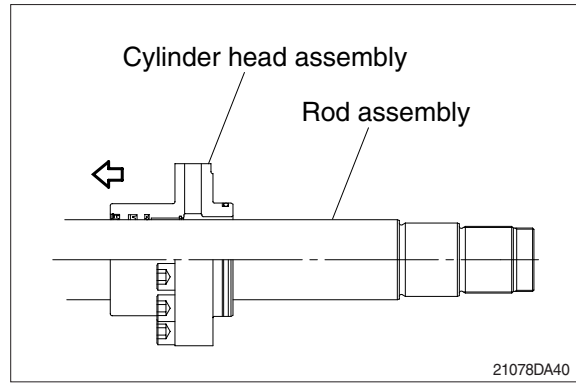


- ③ Fit wear ring (16) and dust ring (17) to piston (14).

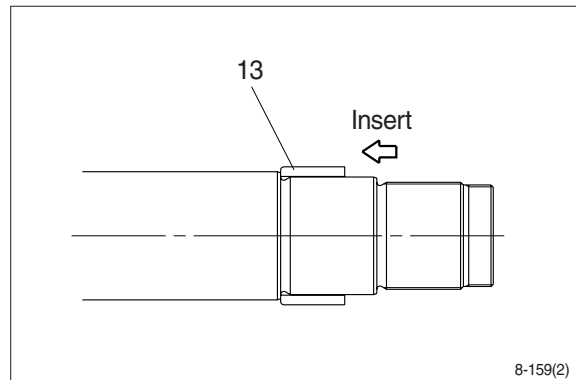


(3) Install piston and cylinder head

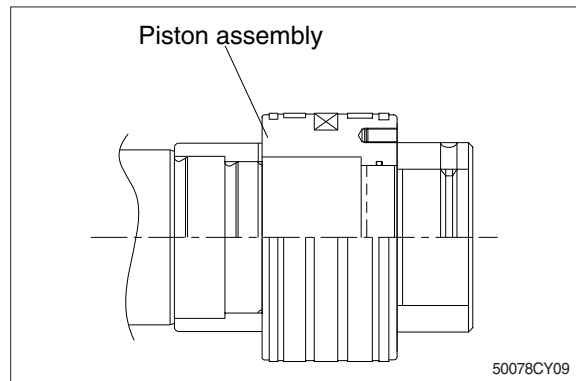
- ① Fix the rod assembly to the work bench.
- ② Apply hydraulic oil to the outer surface of rod assembly (2), the inner surface of piston and cylinder head.
- ③ Insert cylinder head assembly to rod assembly.



- ④ Insert cushion ring (13) to rod assembly.
- ※ Note that cushion ring (13) has a direction in which it should be fitted.

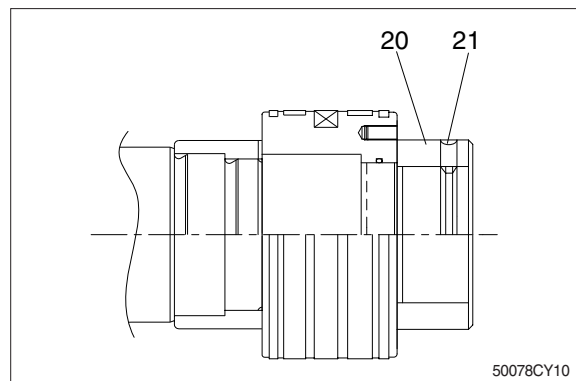


- ⑤ Fit piston assembly to rod assembly.
- Tightening torque : $150 \pm 15 \text{ kgf} \cdot \text{m}$
($1085 \pm 108 \text{ lbf} \cdot \text{ft}$)



- ⑥ Fit lock nut (20) and tighten the set screw (21).
- Tightening torque :

	Item	kgf · m	lbf · ft
Bucket	20	100 ± 10	723 ± 72.3
	21	5.4 ± 0.5	391 ± 3.6
Boom Arm	21	150 ± 15	1085 ± 108
	22	5.4 ± 0.5	39.1 ± 3.6



(3) Overall assemble

- ① Place a V-block on a rigid work bench.
Mount the tube assembly (1) on it and fix the assembly by passing a bar through the clevis pin hole to lock the assembly.
- ② Insert the rod assembly in to the tube assembly, while lifting and moving the rod assembly with a crane.
 - ※ Be careful not to damage piston seal by thread of tube assembly.
- ③ Match the bolt holes in the cylinder head flange to the tapped holes in the tube assembly and tighten socket bolts to a specified torque.
 - ※ Refer to the table of tightening torque.

