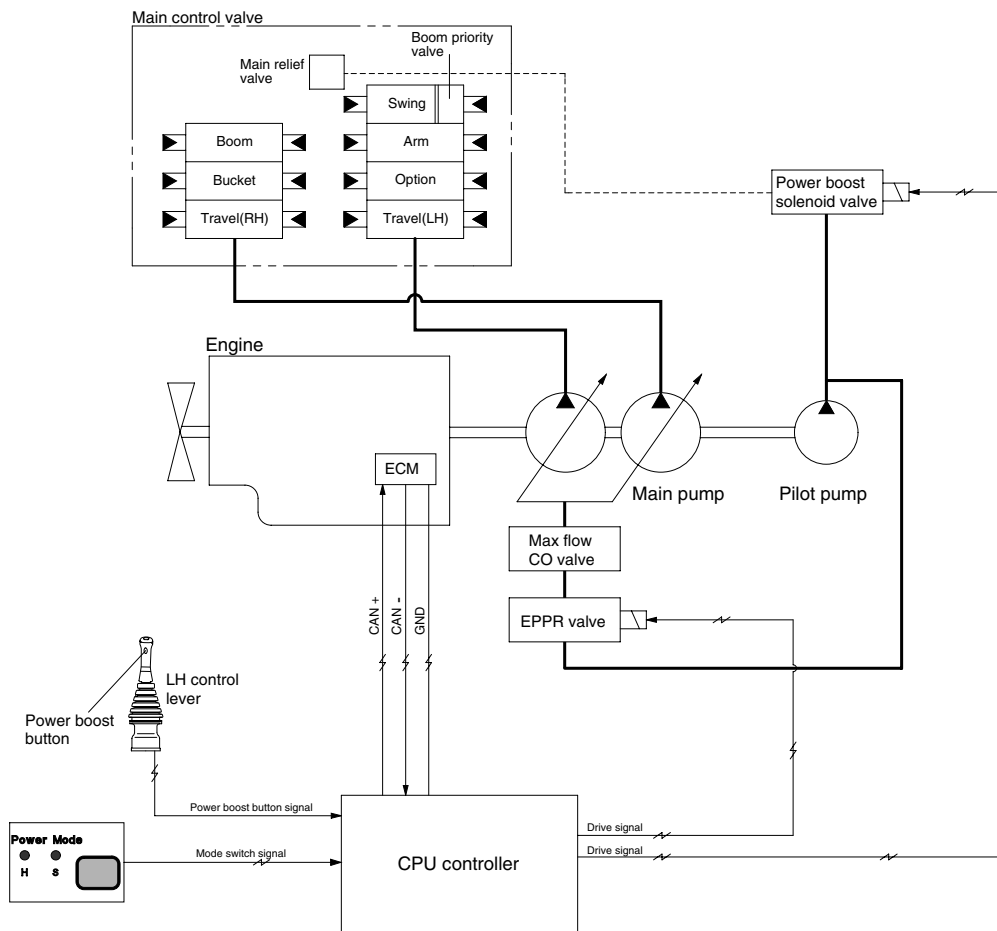


## GROUP 4 POWER BOOST SYSTEM



36075MS05

- When the power boost switch on the left control lever knob is pushed ON, the maximum digging power is increased by 10%.
- When the power set is at H or S and the power boost function is activated, the power boost solenoid valve pilot pressure raises the set pressure of the main relief valve to increase the digging power.

| Description                    | Power boost switch     |   |
|--------------------------------|------------------------|---|
|                                | OFF                    | ON  |
| Power set                      | H or S                 | H   |
| Main relief valve set pressure | 330kgf/cm <sup>2</sup> | 360kgf/cm <sup>2</sup>                                      |
| Time of operation              | -                      | Even when pressed continuously, it is canceled after 8 sec. |

※ Default - Power boost solenoid valve : OFF