

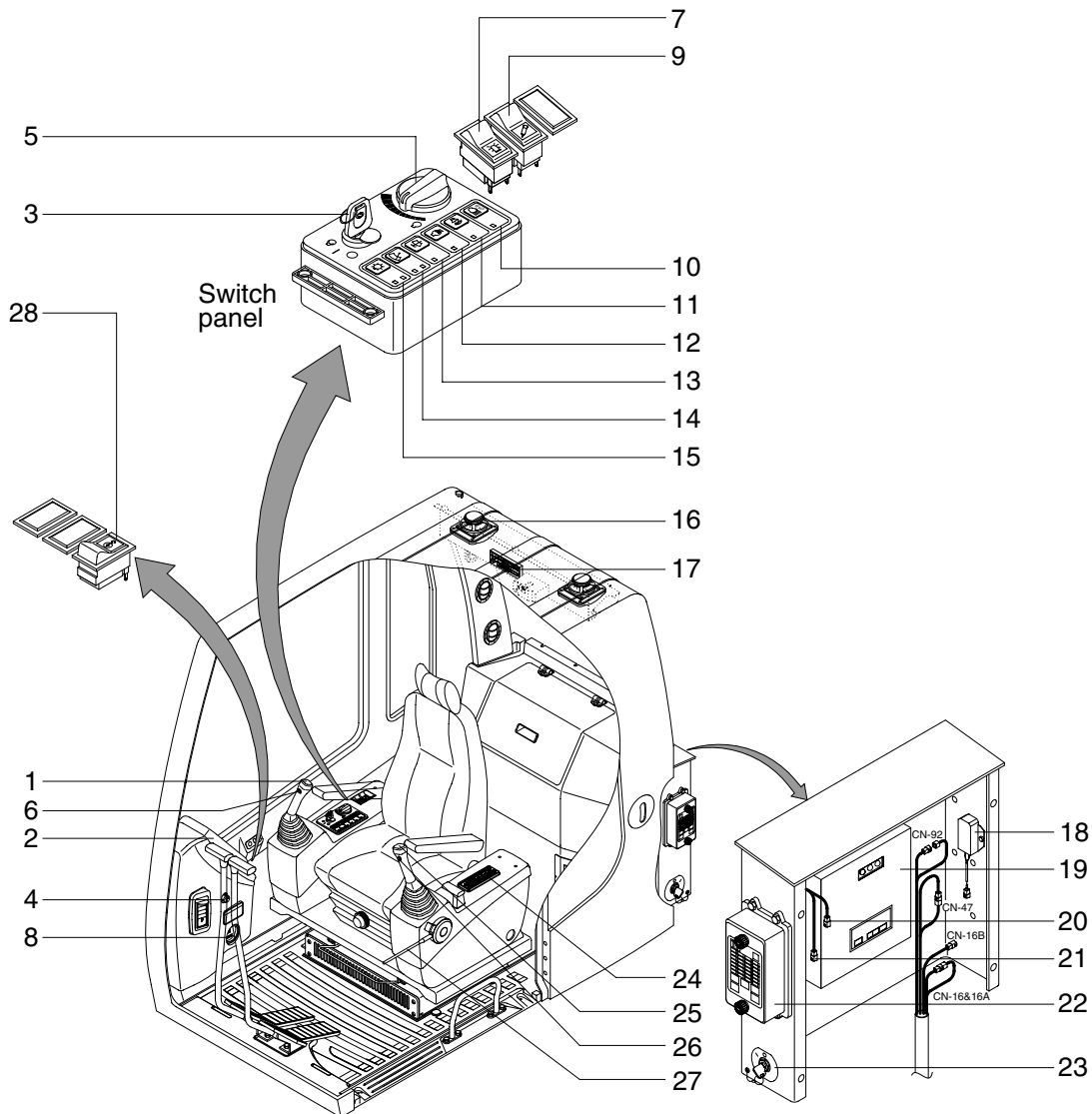
## SECTION 4 ELECTRICAL SYSTEM

Group 1 Component Location .....	4-1
Group 2 Electrical Circuit .....	4-3
Group 3 Electrical Component Specification .....	4-21
Group 4 Connectors .....	4-29

# SECTION 4 ELECTRICAL SYSTEM

## GROUP 1 COMPONENT LOCATION

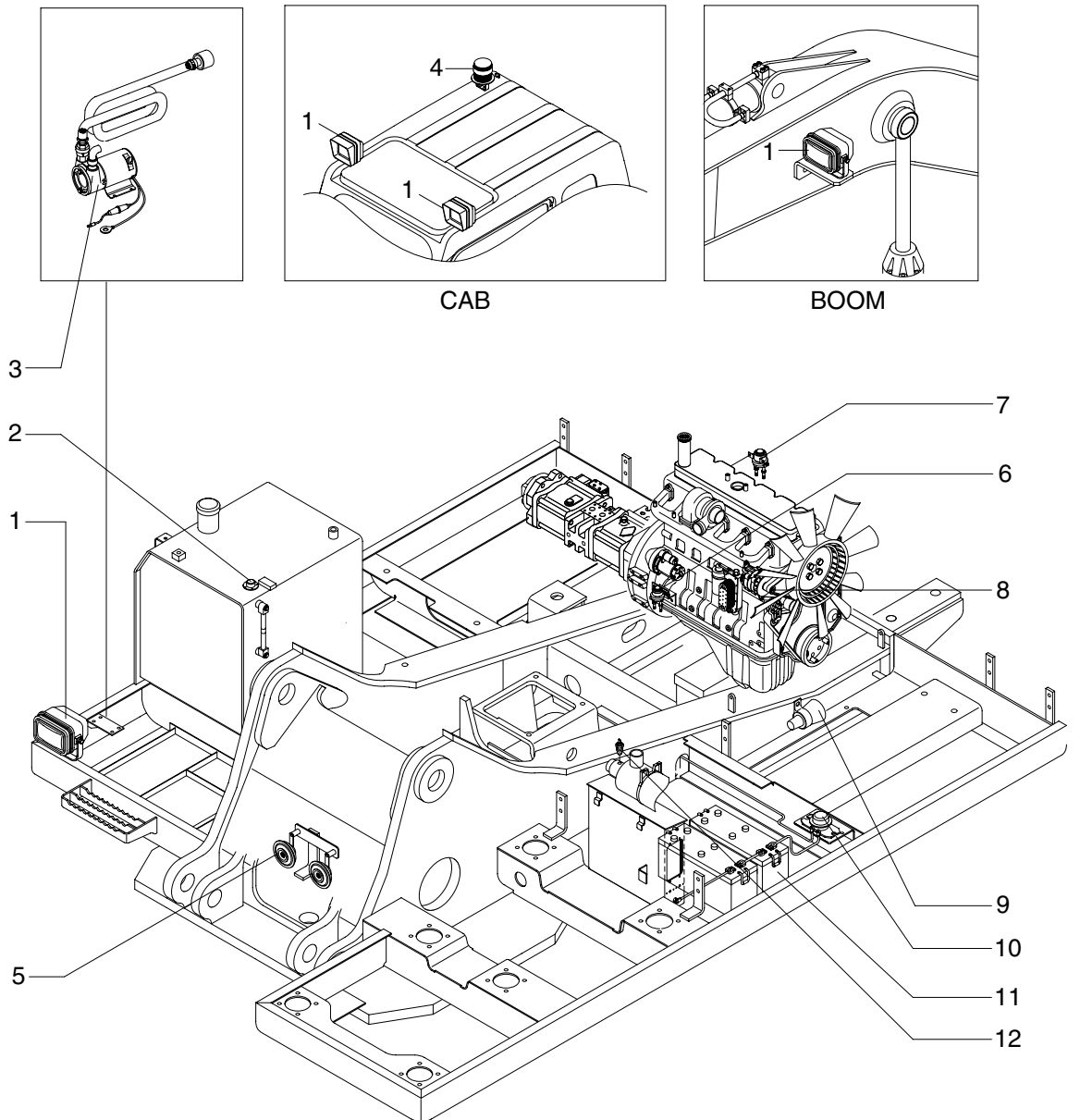
### 1. LOCATION 1



3607A4EL01

- |    |                          |    |                           |    |                              |
|----|--------------------------|----|---------------------------|----|------------------------------|
| 1  | Horn switch              | 11 | Travel alarm switch       | 21 | J1939 serial connector       |
| 2  | Cluster                  | 12 | Preheat switch            | 22 | Fuse box                     |
| 3  | Starting switch          | 13 | Washer switch             | 23 | Master switch                |
| 4  | Cigar lighter            | 14 | Wiper switch              | 24 | Aircon & heater switch panel |
| 5  | Accel dial               | 15 | Main light switch         | 25 | One touch decel switch       |
| 6  | Breaker operation switch | 16 | Speaker                   | 26 | Power max switch             |
| 7  | Beacon switch            | 17 | Cassette & radio          | 27 | Safety lever                 |
| 8  | Service meter            | 18 | Prolinx resistor          | 28 | Overload switch              |
| 9  | Breaker selection switch | 19 | MCU(Machine control unit) |    |                              |
| 10 | Cab light switch         | 20 | RS232 serial connector    |    |                              |

## 2. LOCATION 2



3607A4EL02

- |   |                  |   |              |    |                             |
|---|------------------|---|--------------|----|-----------------------------|
| 1 | Lamp             | 5 | Horn         | 9  | Travel alarm buzzer         |
| 2 | Fuel sender      | 6 | Start relay  | 10 | Battery relay               |
| 3 | Fuel filler pump | 7 | Heater relay | 11 | Battery                     |
| 4 | Beacon lamp      | 8 | Alternator   | 12 | Air cleaner pressure switch |

