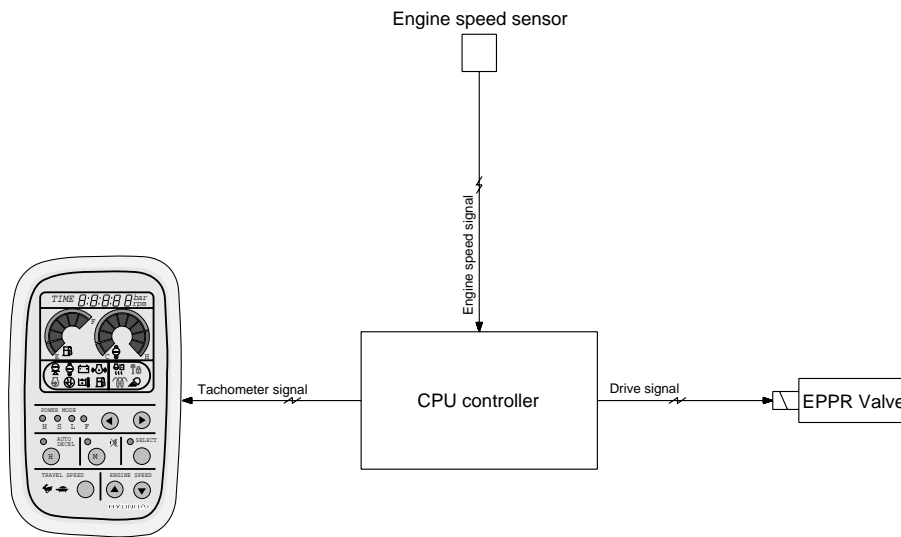


## GROUP 6 ENGINE SPEED SENSING FUNCTION



- Engine speed sensor mounted on the engine sends AC voltage signals to CPU controller, after being rectified into rectangular pulse signals by the CPU controller, they are displayed as engine rpm counter on the 7-segment displays of the cluster.
- When the engine speed drops below the reference rpm of each mode, the CPU controller reduces the pump discharge amount through engine speed feedback to match engine output power with pump absorption power in the optimal condition.