

## GROUP 5 CONNECTORS

### 1. CONNECTOR DESTINATION

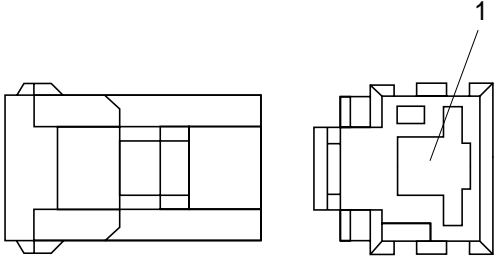
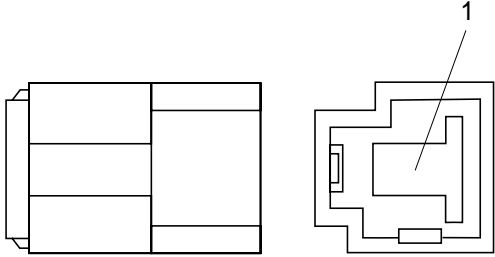
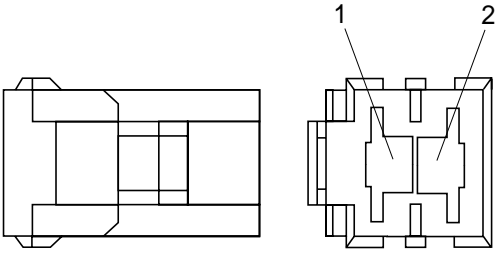
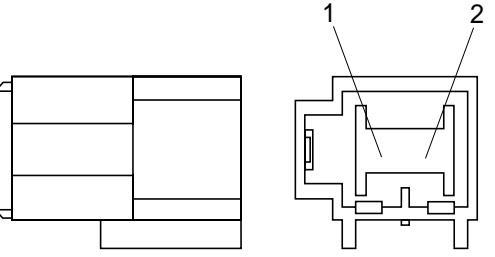
Connector number	Type	No. of pin	Destination	Connector part No.	
				Female	Male
CN-1	SWP	14	I/conn(Engine harness-main harness)	S814-014000	S814-114000
CN-2	SWP	12	I/conn(Engine harness-main harness)	S814-012000	S814-112000
CN-3	SWP	6	I/conn(solenoid harness-main harness)	S814-006000	S814-106000
CN-4	SWP	12	I/conn(R.H harness-main harness)	S814-012000	S814-112000
CN-5	370FASTON	2	I/conn(R.H harness-main harness)	S813-030200	S813-130200
CN-6	SWP	8	I/conn(Cabin harness-main harness)	S814-008000	S814-108000
CN-7	SWP	12	I/conn(Cabin harness-main harness)	S814-012000	S814-112000
CN-8	SWP	14	I/conn(Cabin harness-main harness)	S814-014000	S814-114000
CN-9	SWP	4	I/conn(Cabin harness-main harness)	S814-004000	S814-104000
CN-10	BS	2	I/conn(Boom harness-main harness)	S812-002011	-
CN-11	SWP	1	Emergency power supply(cluster)	S814-001000	S814-101000
CN-13	CN	4	I/conn(Wiper harness-main harness)	S810-004204	S810-104204
CN-14	CN	4	I/conn(Cabin harness-main harness)	S810-004204	-
CN-20	MARK-II	1	Horn	S819-010122	-
CN-21	CN	4	Wiper motor	S810-004204	-
CN-22	CN	2	Washer tank	S810-002202	-
CN-23	-	2	Speaker (LH)	S819-020222	S819-120222
CN-24	-	2	Speaker (RH)	S819-020222	S819-120222
CN-25	MARK-II	1	Horn	S819-010122	-
CN-26	SWP	3	Buzzer(Overload warning)	S814-003000	S814-103000
CN-27	PA	9	Cassette & radio	S811-009003	-
CN-28	CN	1	Compressor	S810-001202	-
CN-29	-	2	R/dryer	S812-002001	-
CN-30	CN	6	Fan speed switch	S810-006202	-
CN-31	CN	4	Blower	S810-004202	-
CN-32	PA	3	Air-con switch	S811-003001	-
CN-36	SWP	12	Fuse box	S814-012000	-
CN-37	AMP	3	Fuse box	S810-003202	-
CN-38	SWP	8	Fuse box	S814-008000	-
CN-40	58-L	2	Fuse box	S813-030200	-
CN-45	RING-TERM	-	Start motor B <sup>+</sup>	S820-310000	-
CN-47	CN	2	Resistor	S810-002202	-
CN-48	CN	2	Hour motor	S810-002202	-
CN-50	LC	10	CPU & controller	S815-010000	-
CN-51	LC	18	CPU & controller	S815-018000	-
CN-52	LC	24	CPU & controller	S815-024000	-
CN-53	PA	13	CPU & controller	AMP,172498-1	-
CN-56	ML	16	Cluster	AMP,174046-2	-

Connector number	Type	No. of pin	Destination	Connector part No.	
				Female	Male
CN-57	ML	12	Cluster	AMP,174045-2	-
CN-60	58-L	2	Fusible link	-	S813-130200
CN-61	-	1	Fuel filler pump	S822-015000	-
CN-65	-	1	Travel alarm	S822-014000	-
CN-66	J	2	Breaker solenoid	S816-002001	-
CN-68	J	2	Safety solenoid	S816-002001	-
CN-70	J	2	Travel solenoid	S816-002001	-
CN-74	RING-TERM	-	Alternator "I" terminal	S820-106000	-
CN-75	-	1	Eppr valve	S822-014000	-
CN-76	58-X	4	Governor motor	S813-060400	-
CN-77	58-X	3	Potentiometer	S813-060300	-
CN-78	-	1	Cold start aid	S822-014004	S822-114004
CN-79	-	1	Fuel cut-off solenoid	S818-020111	-
CN-88	SWP	2	Power max. solenoid	S814-002000	S814-102000
<b>- Relay</b>					
CR-1	RING-TERM	-	Battery relay	S820-104000	-
CR-2	CN	4	Horn relay	S810-004202	-
CR-3	CN	4	Work lamp relay	S810-004202	-
CR-4	CN	6	Wiper relay	S810-006202	-
CR-7	CN	4	Air-con relay	S810-004202	-
CR-9	CN	4	Cabin light relay	S810-004202	-
CR-13	CN	4	Head lamp relay	S810-004202	-
CR-23	CN	2	Start relay	S816-002003	-
<b>- Switch</b>					
CS-1	-	1	Door switch	S810-014004	-
CS-2	SWP	6	Start key switch	S814-006000	-
CS-3	SWF	10	Wiper switch	SWF,593757	-
CS-4	CN	3	Safety switch	S810-003202	-
CS-5	-	1	Horn switch	S822-014000	S822-114000
CS-7	CN	6	Prolix switch	S810-006202	-
CS-16	SWF	10	Travel alarm switch	SWF,593757	-
CS-22	SWF	10	Cold start switch	SWF,593757	-
CS-23	SWF	10	Beacon switch	SWF593757	-
CS-24	SWF	10	Cabin light switch	SWF,593757	-
CS-26	-	1	Pedal switch	S822-014000	S822-114000
CS-27	SWF	10	Breaker switch	SWF,593757	-
CS-29	CA, CB	1	Power max switch	S822-014000	S822-114000
CS-30	SWF	10	Washer switch	SWF,593757	-
CS-36	SWF	10	Work lamp switch	SWF,593757	-
CS-39	SWF	10	Head lamp switch	SWF,593757	-
CS-53	SWF	10	Overload switch	SWF, 593757	-

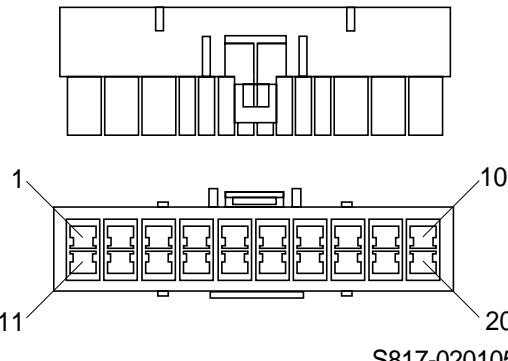
Connector number	Type	No. of pin	Destination	Connector part No.	
				Female	Male
<b>- Light</b>					
CL-1	CN	2	Room lamp	YAZAKI,7123-8326	-
CL-2	-	1	Cigar lighter	S822-014004	S822-114004
CL-3	SWP	2	Head light	S814-002000	S814-102000
CL-4	BS	2	Head lamp	S812-002011	-
CL-5	BS	2	Work lamp	S812-002011	-
CL-6	BS	2	Work lamp	S812-002011	-
CL-7	-	1	Rotary lamp	S822-014000	S822-114000
CL-8	-	1	Cabin light (rear)	S822-014000	S822-114000
CL-9	-	1	Cabin light (LH)	S822-014000	S822-114000
CL-10	-	1	Cabin light (RH)	S822-014000	S822-114000
CL-23	SWF	2	Overload lamp	SWF, 913328	-
<b>- Sensor,sendor</b>					
CD-1	MARK- II	1	Hydraulic oil temp sendor	S819-010112	-
CD-2	CN	3	Fuel sendor	KET,MG 610320	-
CD-6	ST	1	Auto decel pressure switch	S819-010122	-
CD-7	ST	1	Auto decel pressure switch	S819-010122	-
CD-8	MARK- II	1	Water temp sendor	S819-010122	-
CD-9	-	1	Over heat sensor	S822-014000	-
CD-10	-	1	Air cleaner switch	S822-014000	S822-114000
CD-11	-	1	Travel alarm pressure switch	S822-014000	-
CD-12	-	1	Travel alarm pressure switch	S822-014000	-
CD-13	-	1	Travel alarm pressure switch	S822-014000	-
CD-14	-	1	Travel alarm pressure switch	S822-014000	-
CD-17	TWP	2	Speed sensor	-	S818-120221
CD-18	CN	1	Engine oil pressure switch	S810-001202	-
CD-37	SWP	2	Overload sensor	S819-010122	-

## 2. CONNECTION TABLE FOR CONNECTORS

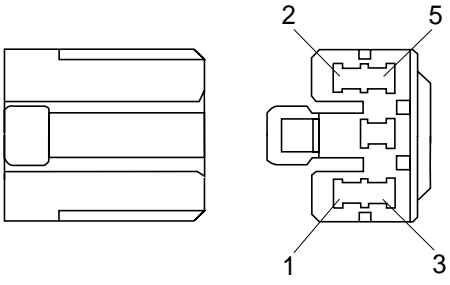
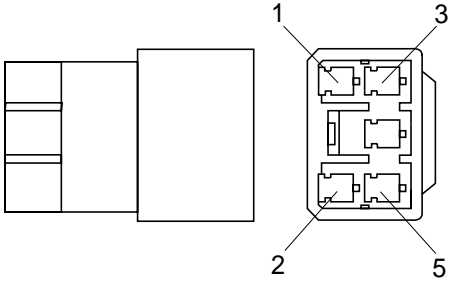
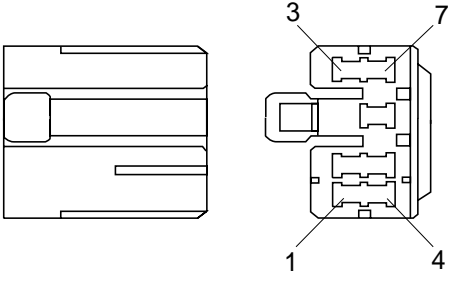
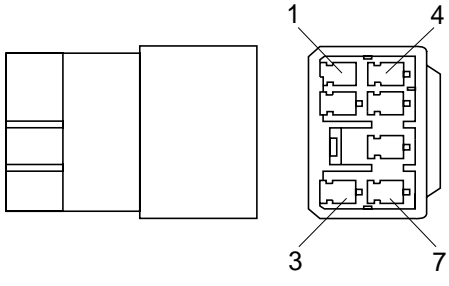
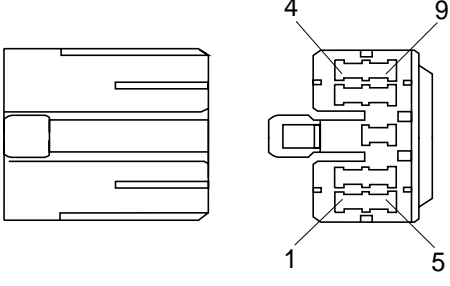
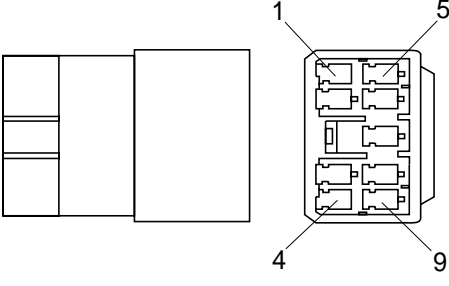
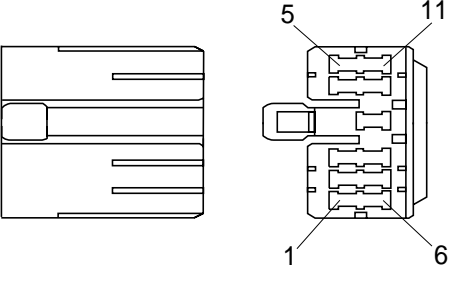
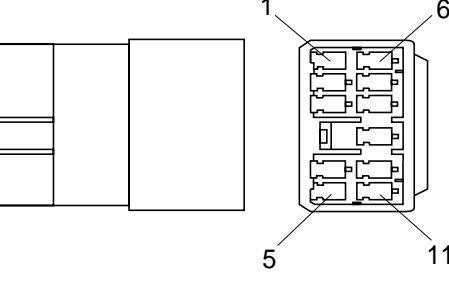
### 1) 58-L TYPE CONNECTOR

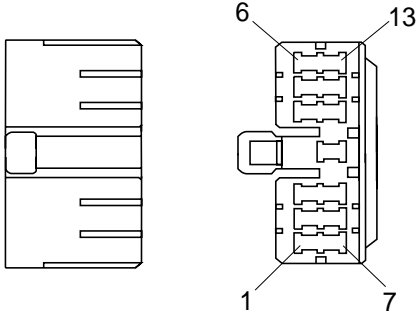
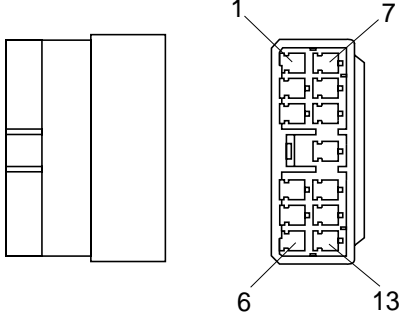
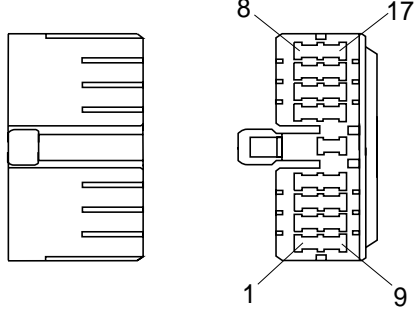
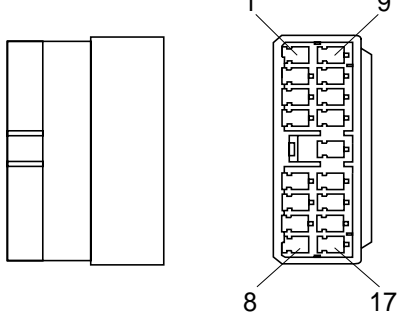
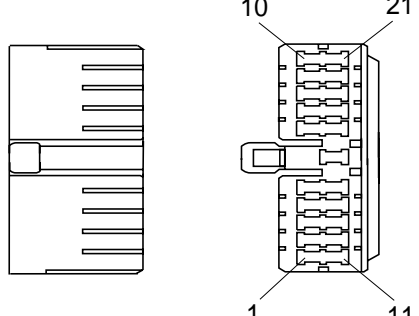
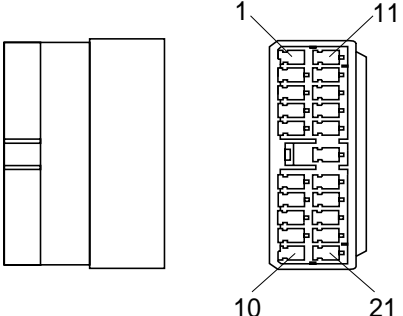
No. of pin	Receptacle connector(Female)	Plug connector(Male)
1	 <p data-bbox="687 730 836 757">S813-030100</p>	 <p data-bbox="1241 730 1390 757">S813-130100</p>
2	 <p data-bbox="687 1140 836 1167">S813-030200</p>	 <p data-bbox="1241 1140 1390 1167">S813-130200</p>

## 2) MULTILOCK TYPE CONNECTOR

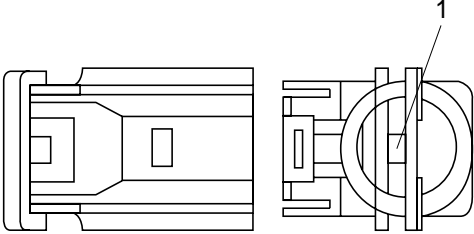
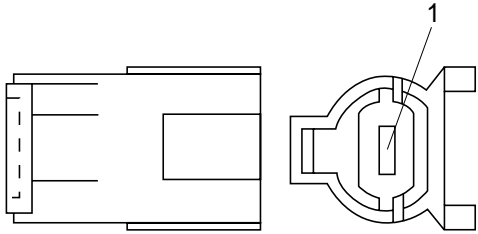
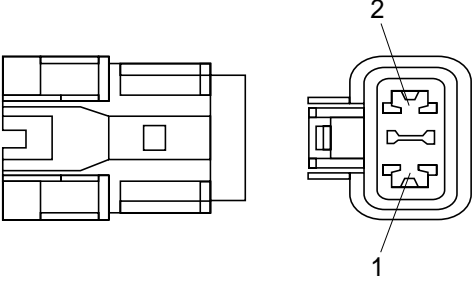
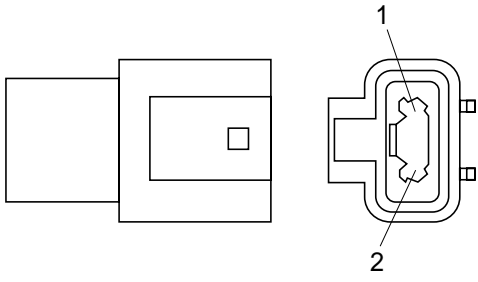
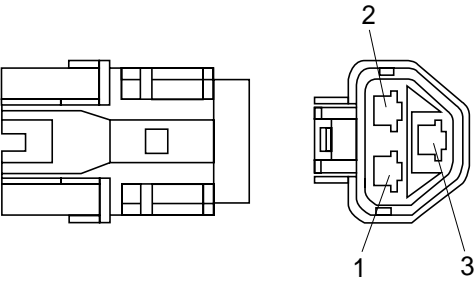
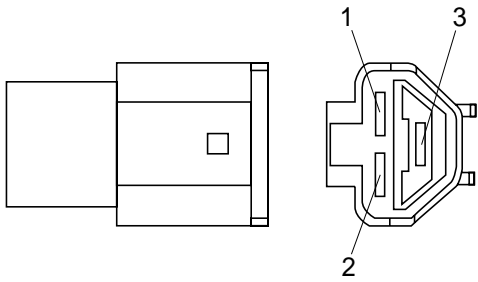
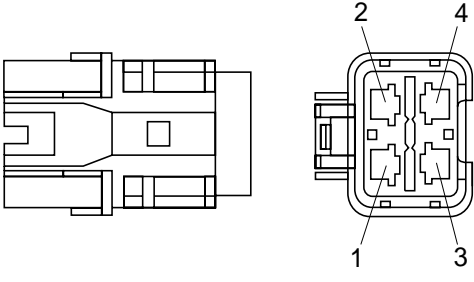
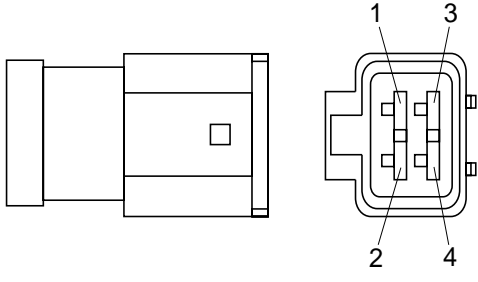
No. of pin	Receptacle connector(Female)	Plug connector(Male)
20	 <p style="text-align: right;">S817-020105</p>	

### 3) PA TYPE CONNECTOR

No. of pin	Receptacle connector(Female)	Plug connector(Male)
5	 <p style="text-align: center;">S811-005002</p>	 <p style="text-align: center;">S811-105002</p>
7	 <p style="text-align: center;">S811-007002</p>	 <p style="text-align: center;">S811-107002</p>
9	 <p style="text-align: center;">S811-009002</p>	 <p style="text-align: center;">S811-109002</p>
11	 <p style="text-align: center;">S811-011002</p>	 <p style="text-align: center;">S811-111002</p>

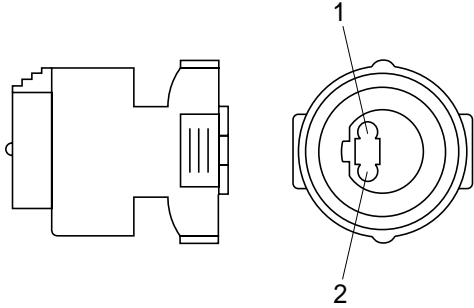
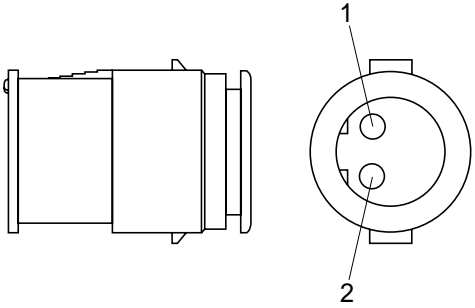
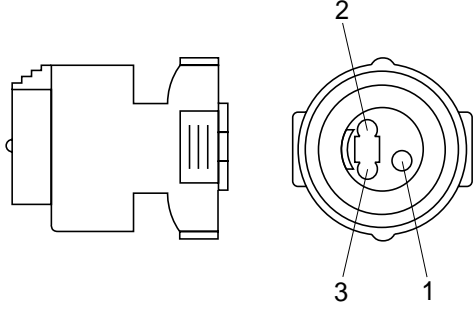
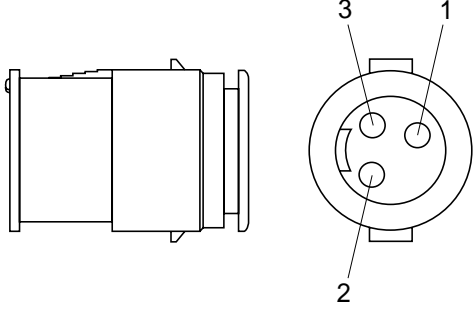
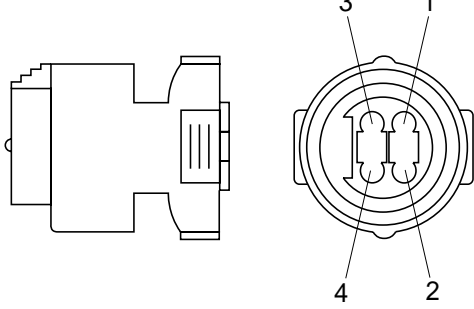
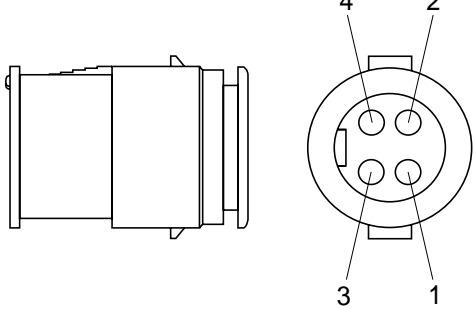
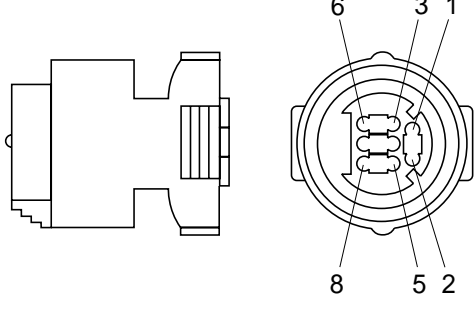
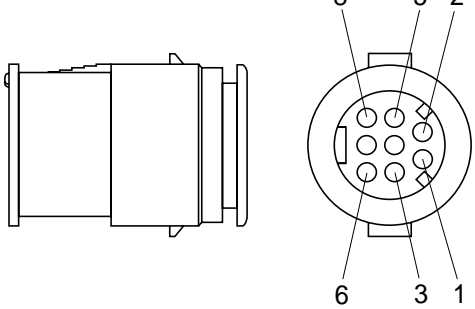
No. of pin	Receptacle connector(Female)	Plug connector(Male)
13	 <p style="text-align: center;">S811-013002</p>	 <p style="text-align: center;">S811-113002</p>
17	 <p style="text-align: center;">S811-017002</p>	 <p style="text-align: center;">S811-117002</p>
21	 <p style="text-align: center;">S811-021002</p>	 <p style="text-align: center;">S811-121002</p>

#### 4) 58-X TYPE CONNECTOR

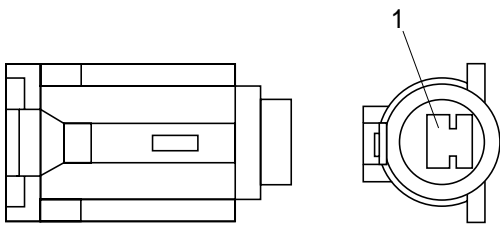
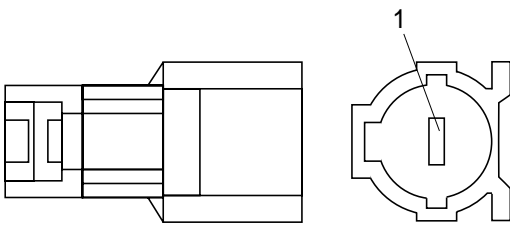
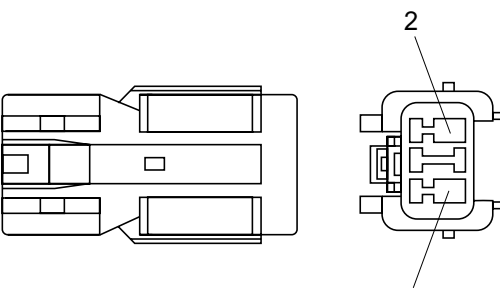
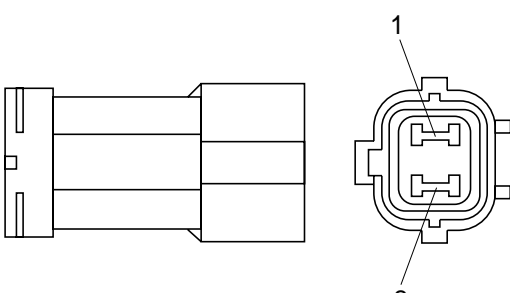
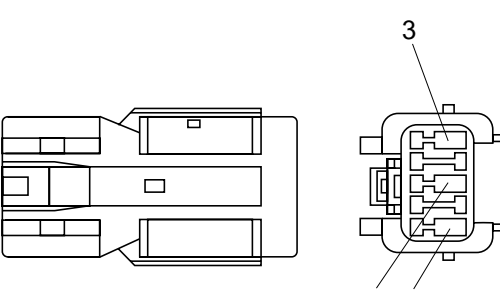
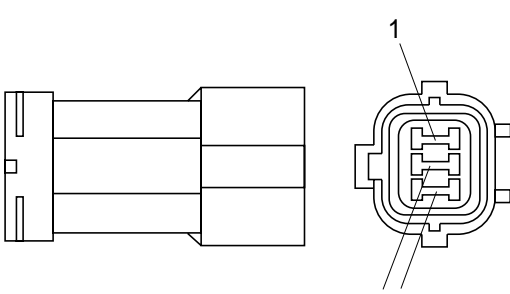
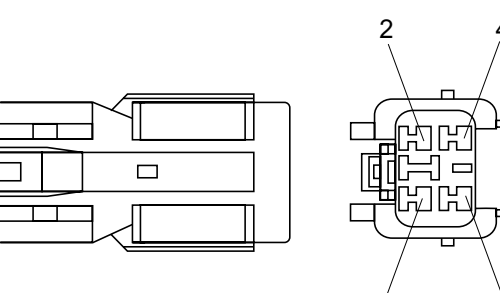
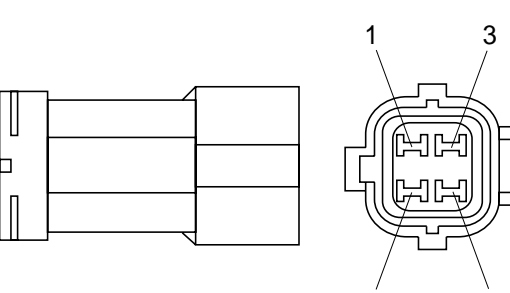
No. of pin	Receptacle connector(Female)	Plug connector(Male)
1	 <p data-bbox="687 680 836 707">S813-060100</p>	 <p data-bbox="1241 680 1390 707">S813-160100</p>
2	 <p data-bbox="687 1088 836 1115">S813-060200</p>	 <p data-bbox="1241 1088 1390 1115">S813-160200</p>
3	 <p data-bbox="687 1491 836 1518">S813-060300</p>	 <p data-bbox="1241 1491 1390 1518">S813-160300</p>
4	 <p data-bbox="687 1906 836 1933">S813-060400</p>	 <p data-bbox="1241 1906 1390 1933">S813-160400</p>

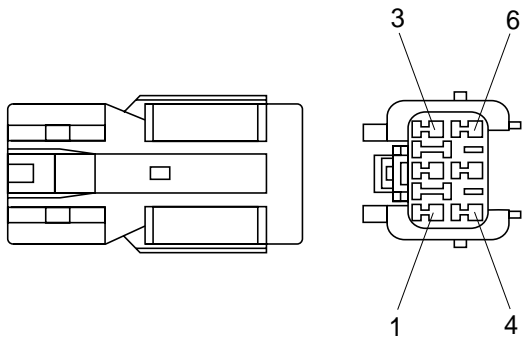
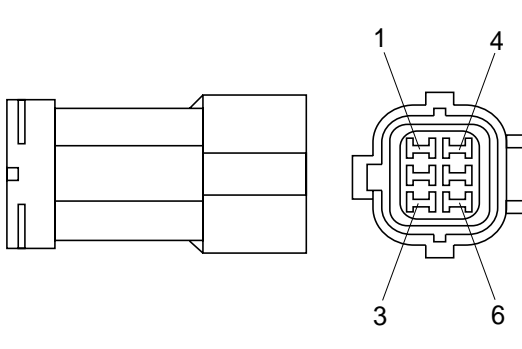
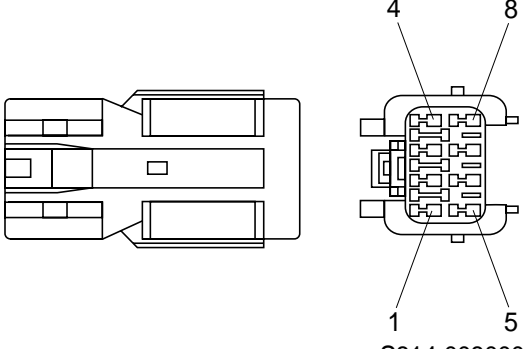
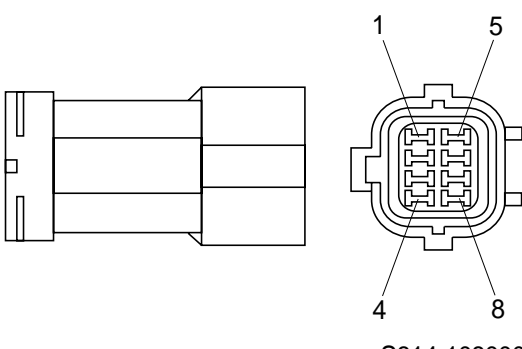
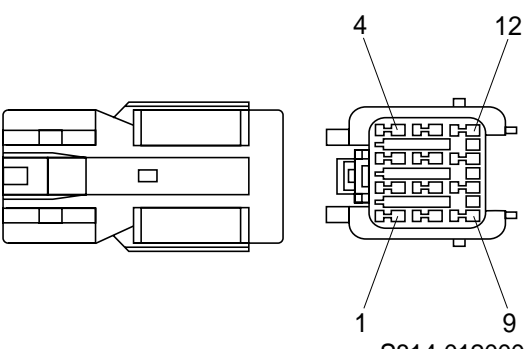
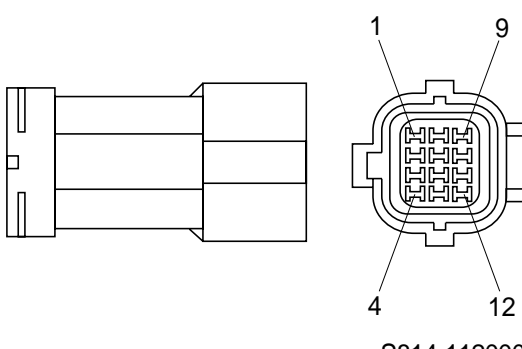
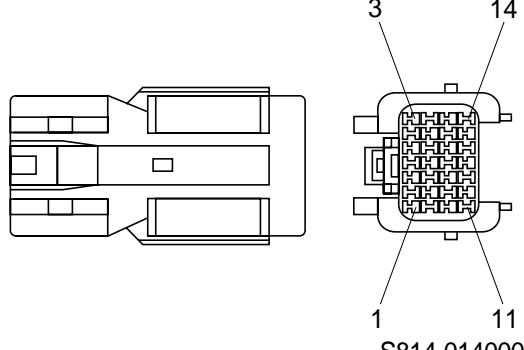
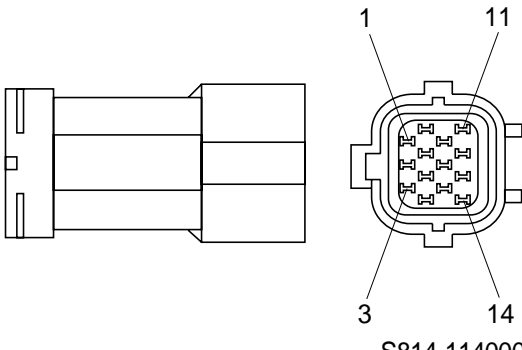


### 5) J TYPE CONNECTOR

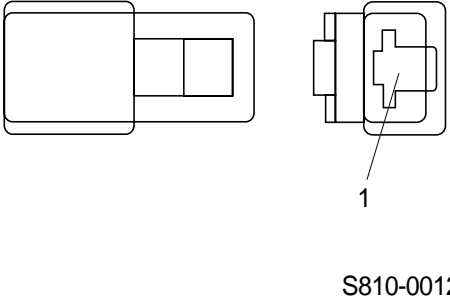
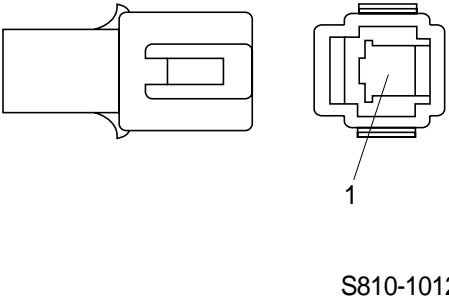
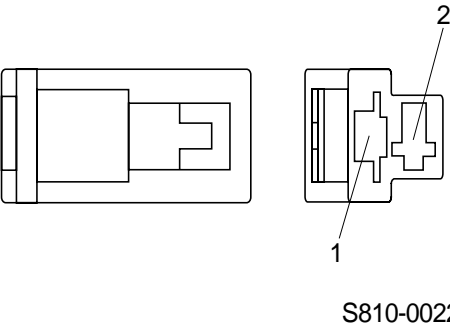
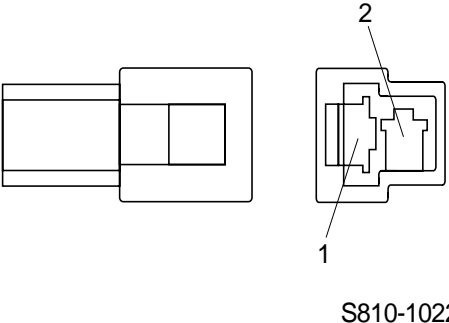
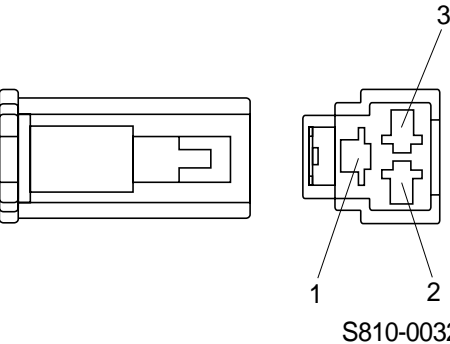
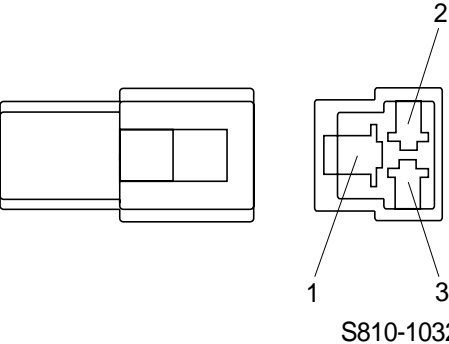
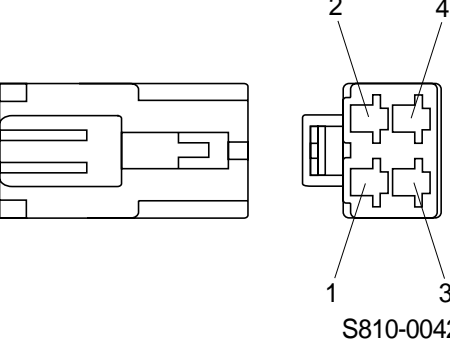
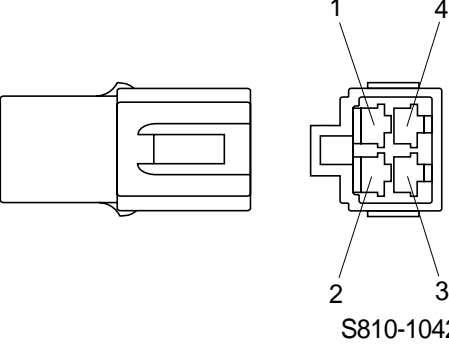
No. of pin	Receptacle connector(Female)	Plug connector(Male)
2	 <p style="text-align: center;">S816-002001</p>	 <p style="text-align: center;">S816-102001</p>
3	 <p style="text-align: center;">S816-003001</p>	 <p style="text-align: center;">S816-103001</p>
4	 <p style="text-align: center;">S816-004001</p>	 <p style="text-align: center;">S816-104001</p>
8	 <p style="text-align: center;">S816-008001</p>	 <p style="text-align: center;">S816-108001</p>

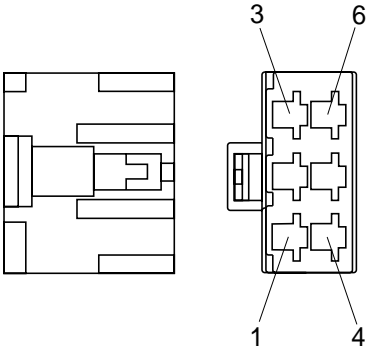
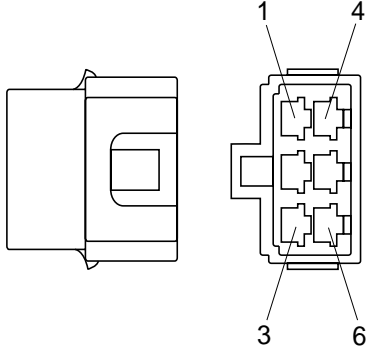
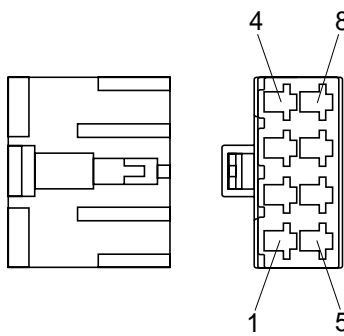
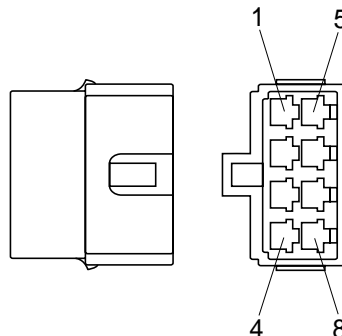
### 6) SWP TYPE CONNECTOR

No. of pin	Receptacle connector(Female)	Plug connector(Male)
1	 <p data-bbox="686 672 837 705">S814-001000</p>	 <p data-bbox="1236 672 1388 705">S814-101000</p>
2	 <p data-bbox="686 1075 837 1108">S814-002000</p>	 <p data-bbox="1236 1075 1388 1108">S814-102000</p>
3	 <p data-bbox="686 1489 837 1523">S814-003000</p>	 <p data-bbox="1236 1489 1388 1523">S814-103000</p>
4	 <p data-bbox="686 1892 837 1926">S814-004000</p>	 <p data-bbox="1236 1892 1388 1926">S814-104000</p>

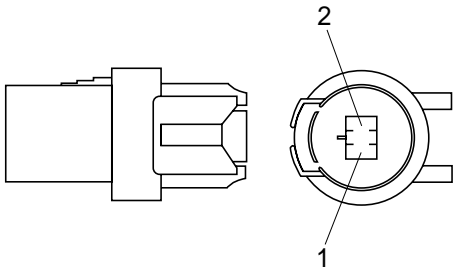
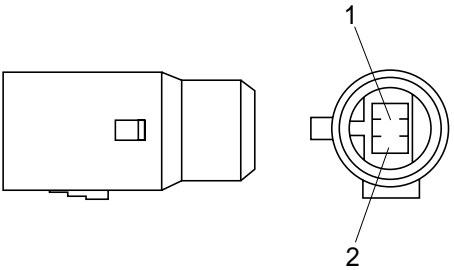
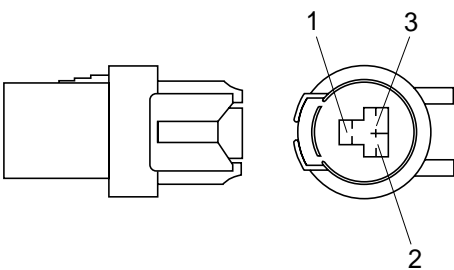
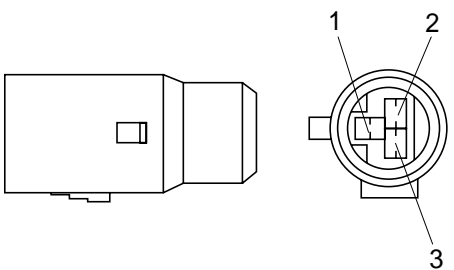
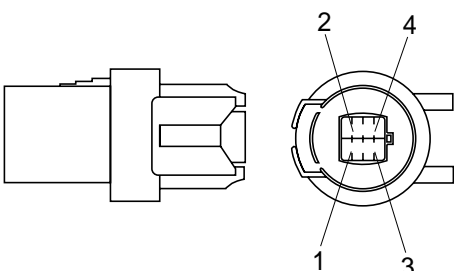
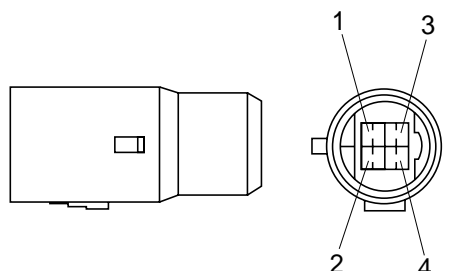
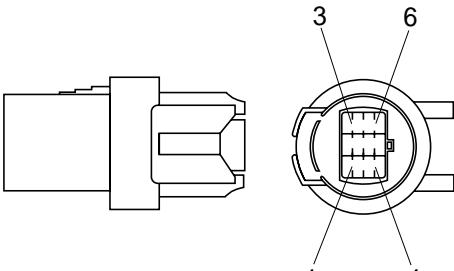
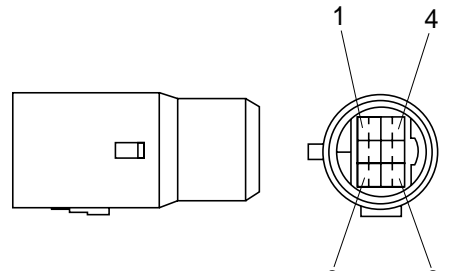
No. of pin	Receptacle connector(Female)	Plug connector(Male)
6	 <p data-bbox="686 638 837 672">S814-006000</p>	 <p data-bbox="1244 638 1396 672">S814-106000</p>
8	 <p data-bbox="686 1041 837 1075">S814-008000</p>	 <p data-bbox="1244 1041 1396 1075">S814-108000</p>
12	 <p data-bbox="686 1456 837 1489">S814-012000</p>	 <p data-bbox="1244 1456 1396 1489">S814-112000</p>
14	 <p data-bbox="686 1859 837 1892">S814-014000</p>	 <p data-bbox="1244 1859 1396 1892">S814-114000</p>

### 7) CN TYPE CONNECTOR

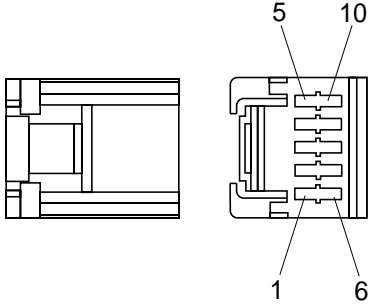
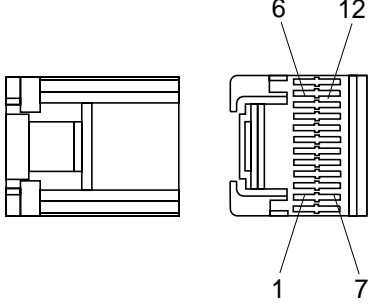
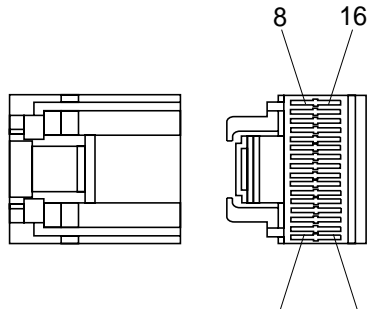
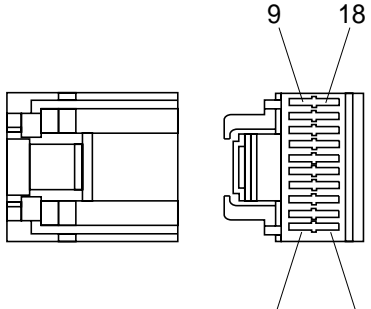
No. of pin	Receptacle connector(Female)	Plug connector(Male)
1	 <p style="text-align: center;">S810-001202</p>	 <p style="text-align: center;">S810-101202</p>
2	 <p style="text-align: center;">S810-002202</p>	 <p style="text-align: center;">S810-102202</p>
3	 <p style="text-align: center;">S810-003202</p>	 <p style="text-align: center;">S810-103202</p>
4	 <p style="text-align: center;">S810-004202</p>	 <p style="text-align: center;">S810-104202</p>

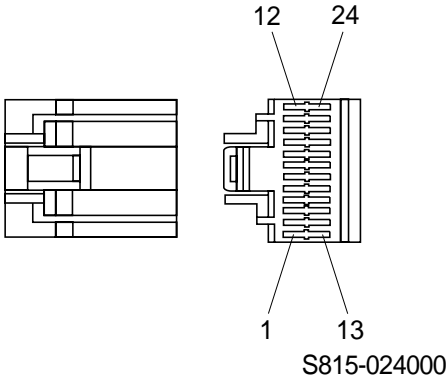
No. of pin	Receptacle connector(Female)	Plug connector(Male)
6	 <p data-bbox="686 638 837 672">S810-006202</p>	 <p data-bbox="1236 638 1388 672">S810-106202</p>
8	 <p data-bbox="686 1041 837 1075">S810-008202</p>	 <p data-bbox="1236 1041 1388 1075">S810-108202</p>

### 8) BS TYPE CONNECTOR

No. of pin	Receptacle connector(Female)	Plug connector(Male)
2	 <p style="text-align: center;">S812-002001</p>	 <p style="text-align: center;">S812-102001</p>
3	 <p style="text-align: center;">S812-003001</p>	 <p style="text-align: center;">S812-103001</p>
4	 <p style="text-align: center;">S812-004001</p>	 <p style="text-align: center;">S812-104001</p>
6	 <p style="text-align: center;">S812-006001</p>	 <p style="text-align: center;">S812-106001</p>

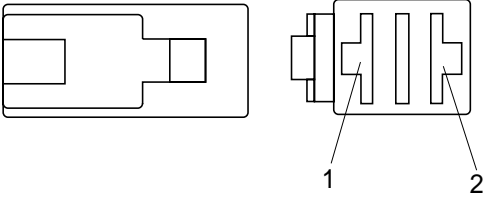
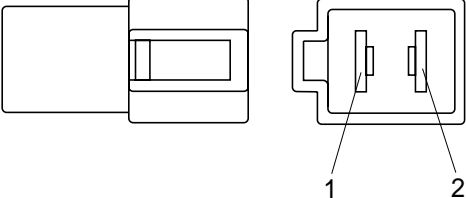
### 9) LC TYPE CONNECTOR

No. of pin	Receptacle connector(Female)	Plug connector(Male)
10	 <p style="text-align: center;">S815-010000</p>	
12	 <p style="text-align: center;">S815-012000</p>	
16	 <p style="text-align: center;">S815-016000</p>	
18	 <p style="text-align: center;">S815-018000</p>	

No. of pin	Receptacle connector(Female)	Plug connector(Male)
24	 <p style="text-align: center;">S815-024000</p>	



**10) 375 FASTEN TYPE CONNECTOR**

No. of pin	Receptacle connector(Female)	Plug connector(Male)
2	 <p data-bbox="689 680 839 707">S810-002402</p>	 <p data-bbox="1246 680 1396 707">S810-102402</p>