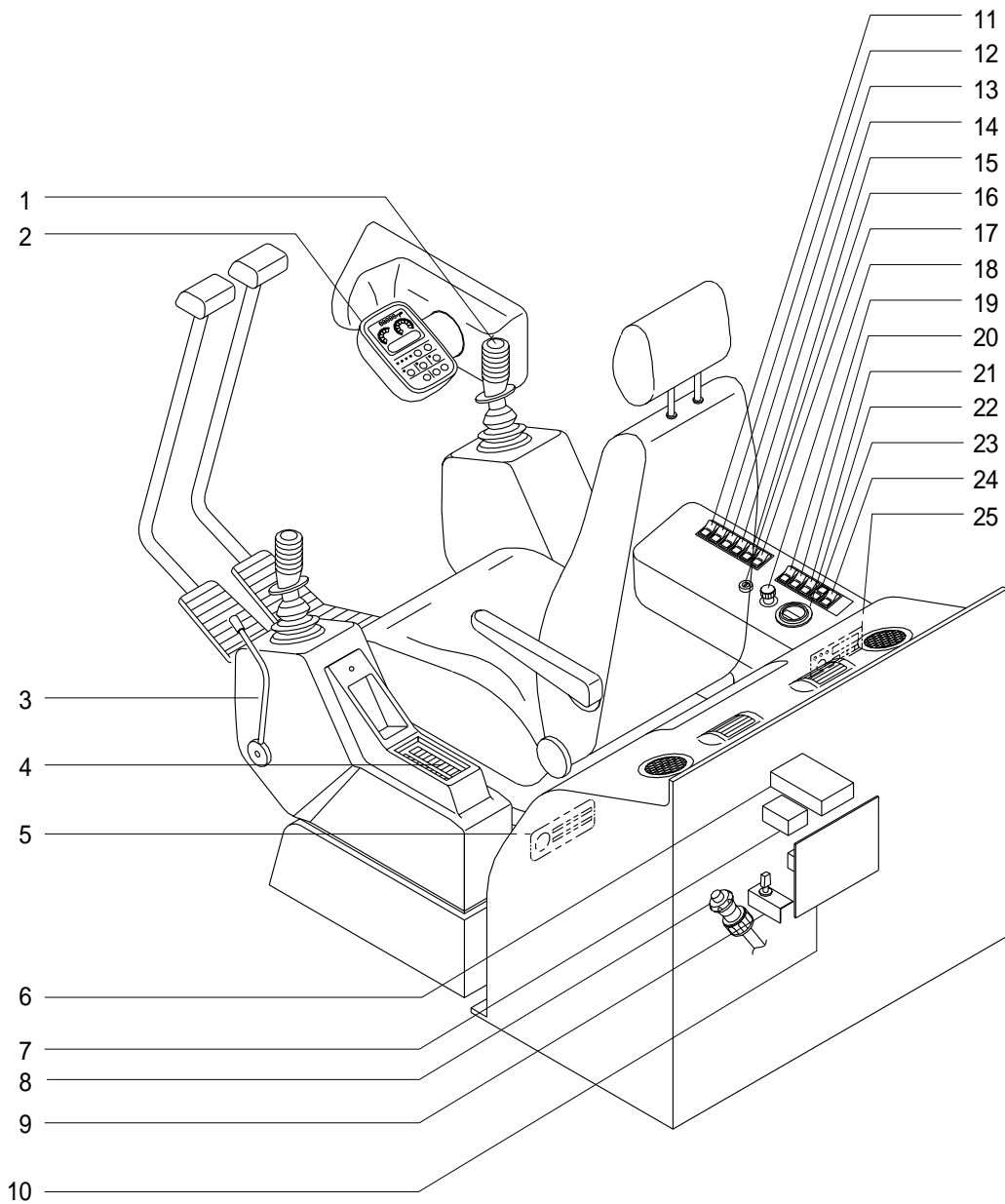


# SECTION 4 ELECTRICAL SYSTEM

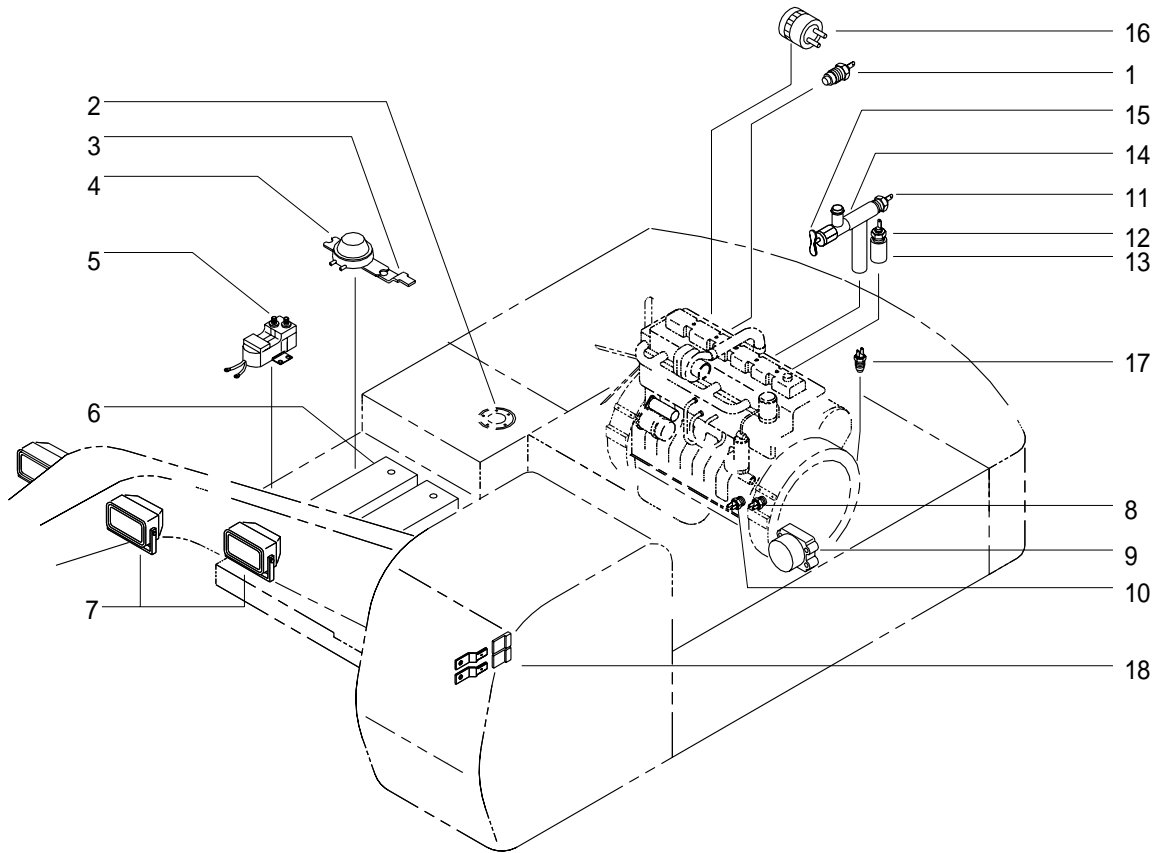
## GROUP 1 COMPONENT LOCATION

### 1. LOCATION 1



1	Horn switch	10	Relay board assembly	18	Cigar lighter switch
2	Cluster	11	Washer switch	19	Cold start switch
3	Safety lever	12	Wiper switch	20	Breaker switch(option)
4	Fuse box	13	Head light switch	21	Overload lamp switch(option)
5	Aircon & heater switch	14	Work light switch	22	Overload warning lamp(option)
6	CPU controller	15	Cab light switch(option)	23	Service meter
7	Resister	16	Starting switch	24	Beacon switch(option)
8	Emergency engine acc lever	17	Travel alarm switch(option)	25	Cassette & radio
9	Prolix switch				

## 2. LOCATION 2



- |   |                        |    |                        |    |                         |
|---|------------------------|----|------------------------|----|-------------------------|
| 1 | Hyd temperature sender | 7  | Light                  | 13 | Temperature oil adapter |
| 2 | Fuel sender            | 8  | Engine speed sensor    | 14 | Heater adapter          |
| 3 | Connector plate        | 9  | Governor motor         | 15 | Heater valve            |
| 4 | Battery relay          | 10 | Press oil switch       | 16 | Alternator              |
| 5 | Fuel filler pump       | 11 | Hyd temperature sender | 17 | Air cleaner switch      |
| 6 | Battery                | 12 | Over heat switch       | 18 | Connector plate         |