

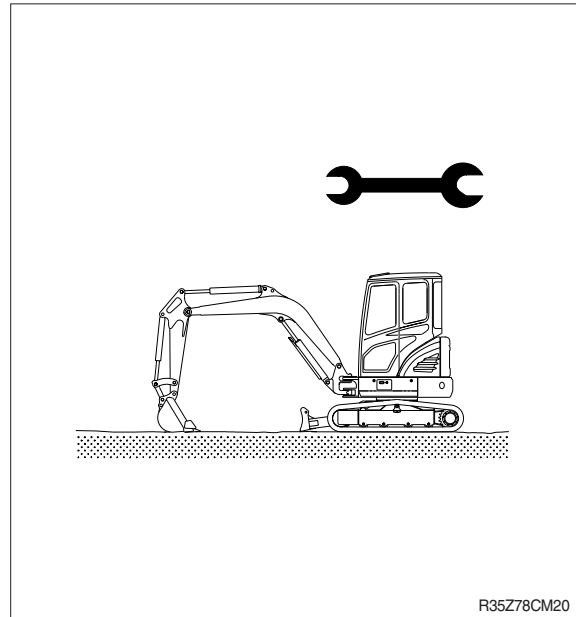
SECTION 8 COMPONENT MOUNTING TORQUE

Group 1	Introduction guide	8-1
Group 2	Engine system	8-2
Group 3	Electric system	8-4
Group 4	Hydraulic system	8-5
Group 5	Undercarriage	8-7
Group 6	Structure	8-8
Group 7	Work equipment	8-10

SECTION 8 COMPONENT MOUNTING TORQUE

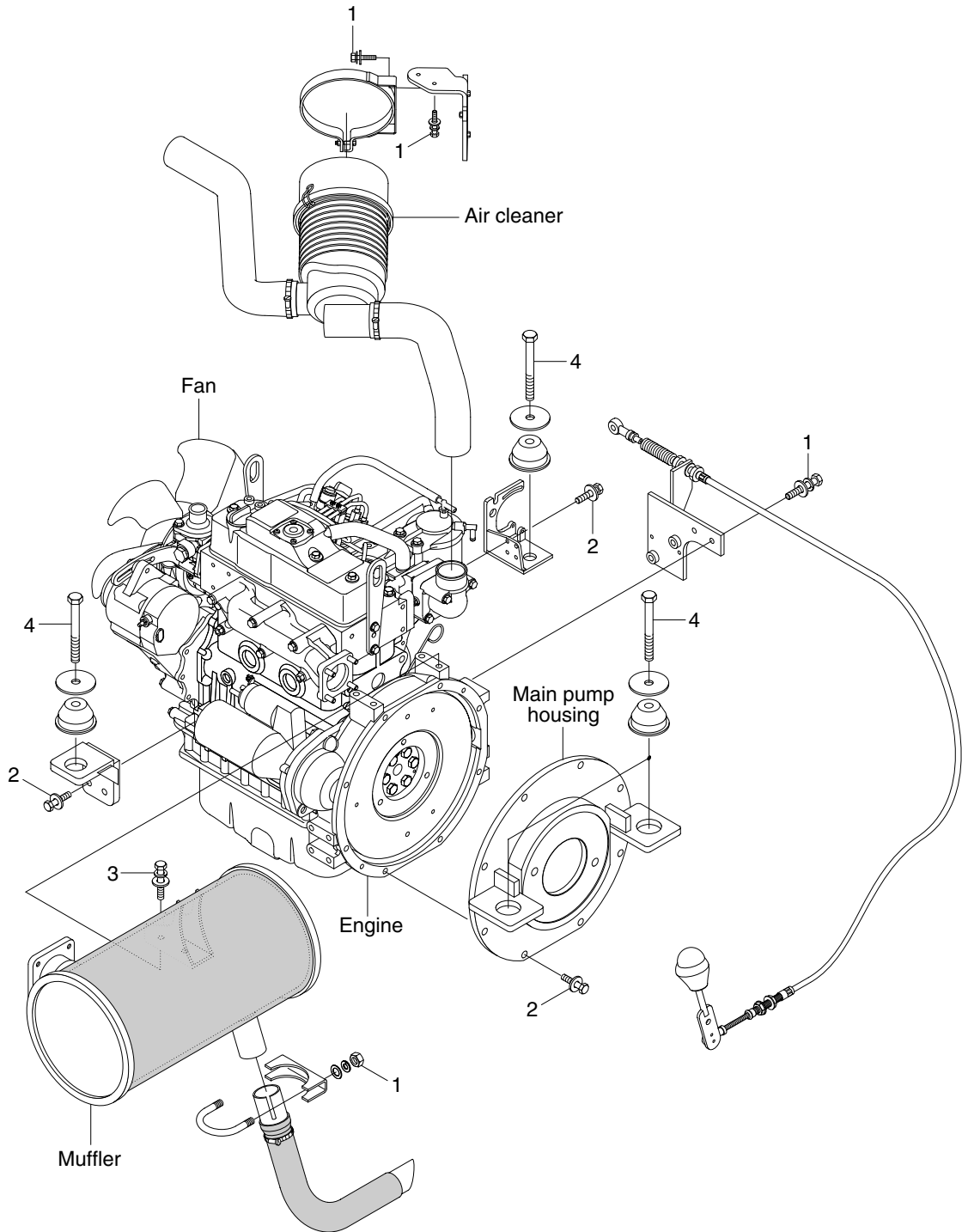
GROUP 1 INTRODUCTION GUIDE

1. This section shows bolt specifications and standard torque values needed when mounting components to the machine.
 2. Use genuine Hyundai spare parts.
We expressly point out that Hyundai will not accept any responsibility for defects resulted from non-genuine parts.
In such cases Hyundai cannot assume liability for any damage.
- ※ **Only metric fasteners can be used and incorrect fasteners may result in machine damage or malfunction.**
 - ※ **Before installation, clean all the components with a non-corrosive cleaner. Bolts and threads must not be worn or damaged.**



GROUP 2 ENGINE SYSTEM

1. ENGINE AND ACCESSORIES MOUNTING



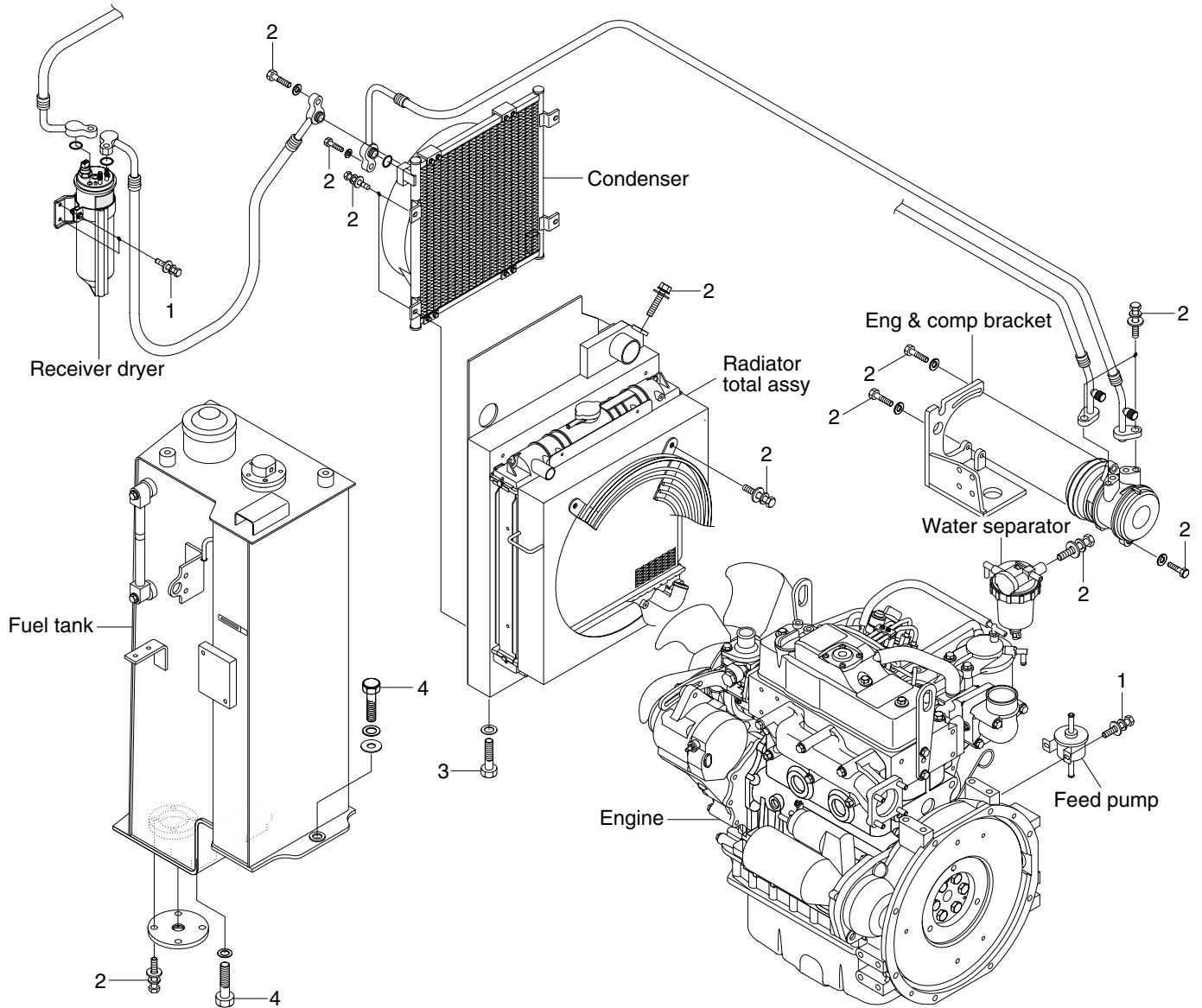
R35Z98CM01

• Tightening torque

Item	Size	kgf · m	lbf · ft
1	M 8×1.25	2.5±0.5	18.1±3.6
2	M10×1.5	6.0±1.4	43.4±10.1

Item	Size	kgf · m	lbf · ft
3	M 10×1.5	6.9±1.4	49.9±10.1
4	M 12×1.75	12.3±1.5	89±10.8

2. COOLING SYSTEM AND FUEL TANK MOUNTING



R35Z98CM02

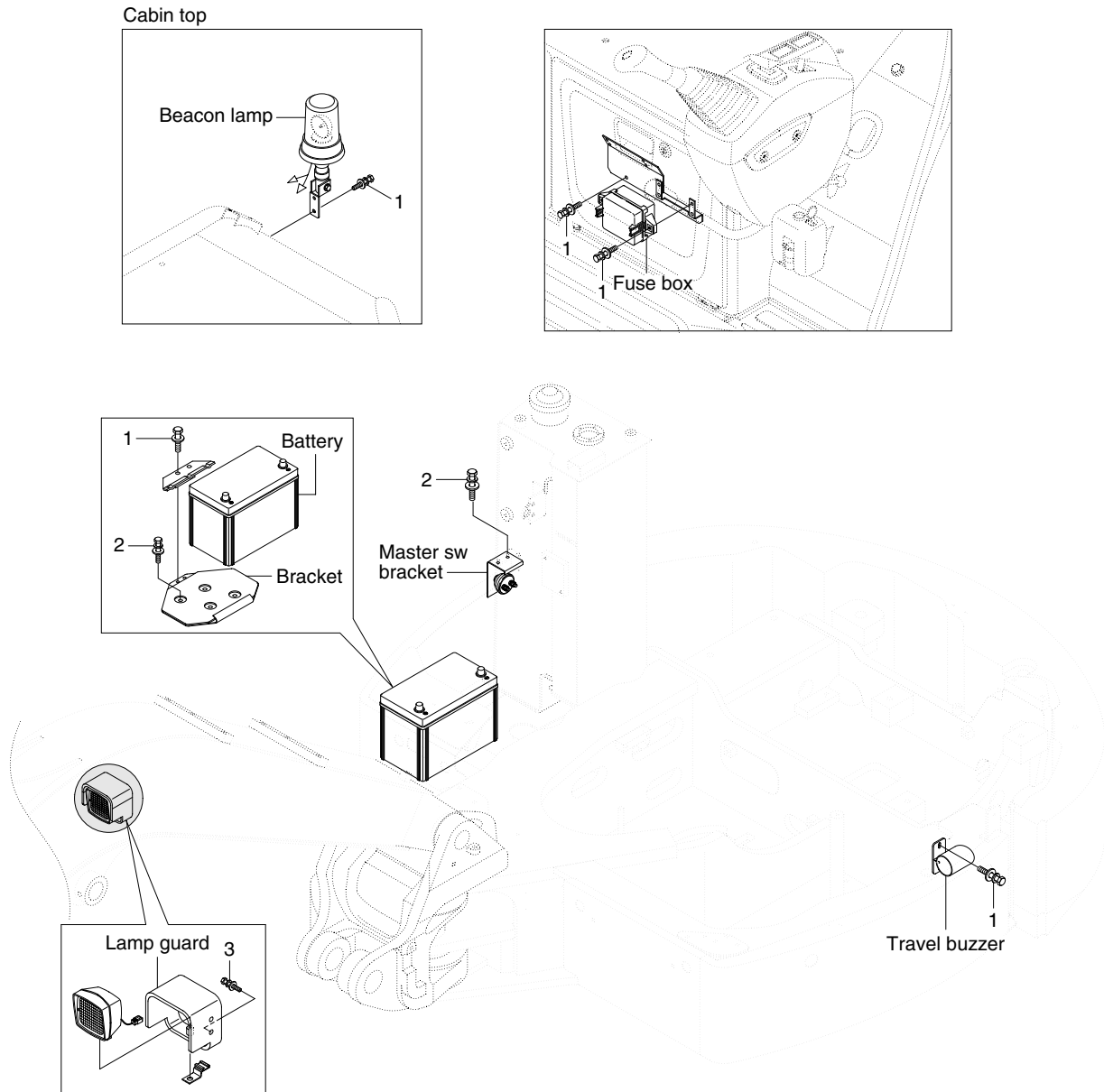
· Tightening torque

Item	Size	kgf · m	lbf · ft
1	M 6×1.0	1.05±0.2	7.6±1.45
2	M 8×1.25	2.5±0.5	18.1±3.6

Item	Size	kgf · m	lbf · ft
3	M 10×1.25	6.9±1.4	49.9±10.1
4	M 12×1.75	12.8±3.0	92.6±21.7

GROUP 3 ELECTRIC SYSTEM

1. ELECTRIC COMPONENTS MOUNTING 1



R35Z98CM03

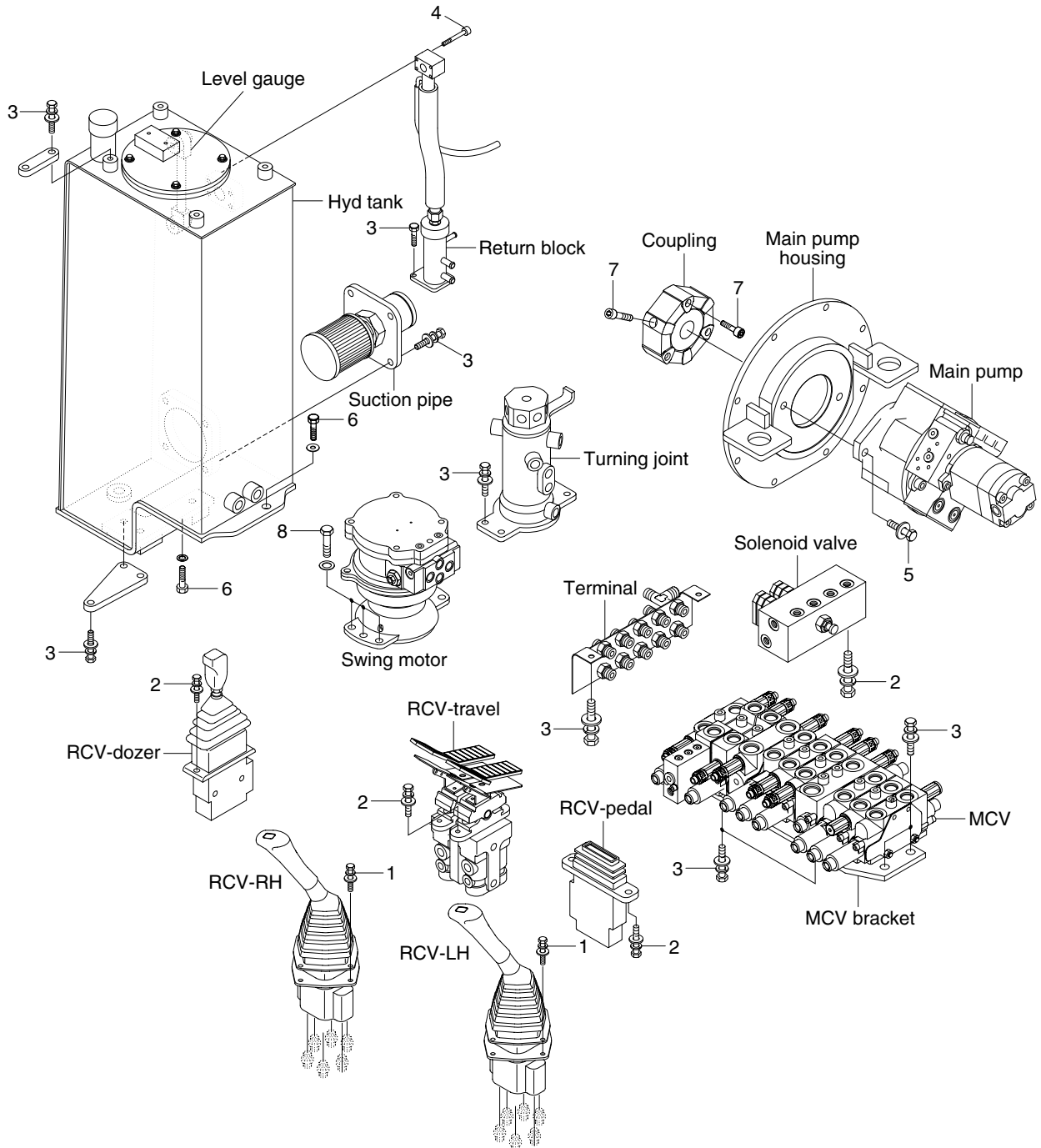
· Tightening torque

Item	Size	kgf · m	lbf · ft
1	M 6×1.0	1.05±0.2	7.6±1.45
2	M 8×1.25	2.5±0.5	18.1±3.6

Item	Size	kgf · m	lbf · ft
3	M10×1.5	6.9±1.4	49.9±10.1

GROUP 4 HYDRAULIC SYSTEM

1. HYDRAULIC COMPONENTS MOUNTING 1



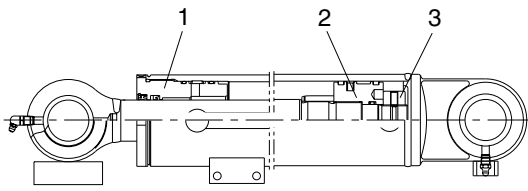
· Tightening torque

Item	Size	kgf · m	lbf · ft
1	M 6×1.0	1.05±0.2	7.6±1.45
2	M 8×1.25	2.5±0.5	18.1±3.6
3	M10×1.5	6.9±1.4	49.9±10.1
4	M10×1.5	8.27±1.7	59.8±12.3

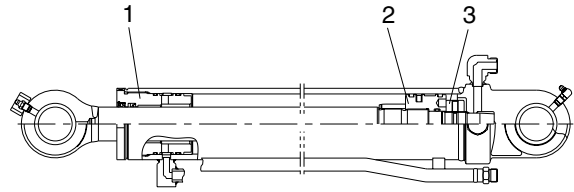
Item	Size	kgf · m	lbf · ft
5	M12×1.75	9.5±1.9	69±14.0
6	M12×1.75	12.8±3.0	93±22.0
7	M12×1.75	9.25±0.25	69±14.0
8	M14×2.0	19.6±2.9	142±21.0

R35Z98CM05

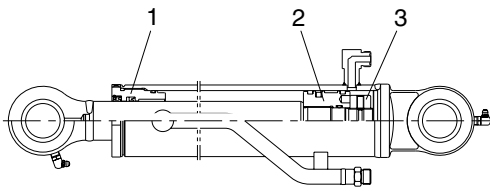
2. HYDRAULIC COMPONENTS MOUNTING 2



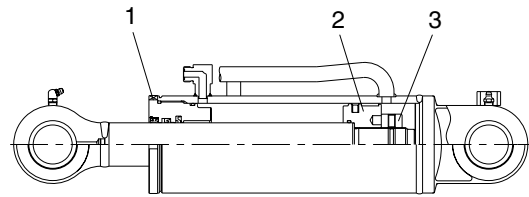
Boom cylinder



Arm cylinder



Bucket cylinder

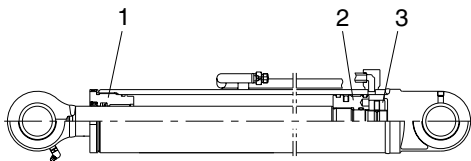


Dozer cylinder

R35Z98CM07

• Tightening torque

1) Gland



Boom swing cylinder

Item	Size	kgf · m	lbf · ft
Boom cylinder	M90 × 2	68 ± 6.8	492 ± 49
Arm cylinder	M85 × 2	64 ± 6.4	463 ± 46
Bucket cylinder	M75 × 2	56 ± 5.6	405 ± 41
Dozer cylinder	M100 × 2	75 ± 7.5	542 ± 54
Boom swing cylinder	M85 × 2	64 ± 6.4	463 ± 46

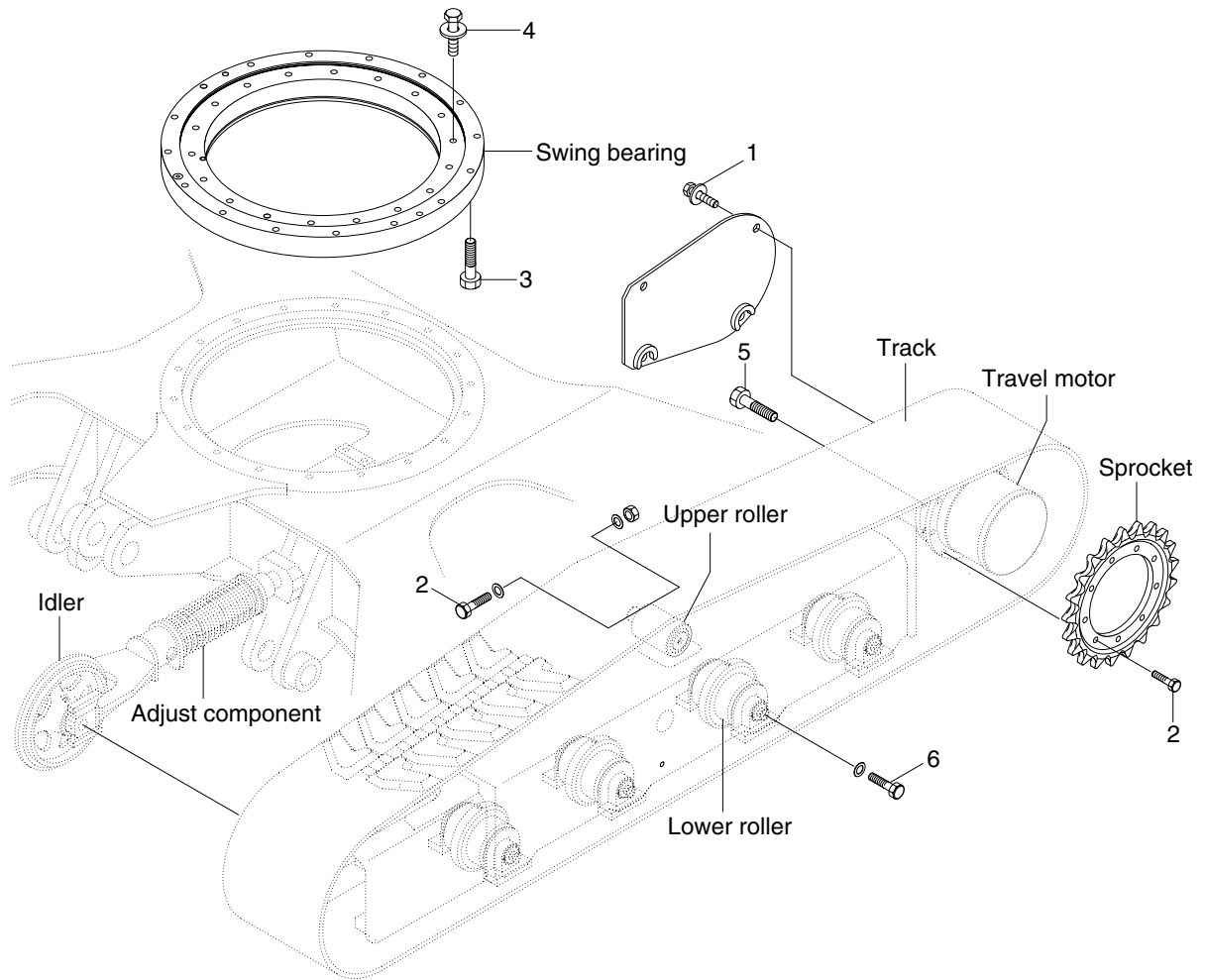
2) Piston

Item	Size	kgf · m	lbf · ft
Boom cylinder	M40 × 2	100 ± 10	723 ± 72
Arm cylinder	M40 × 2	100 ± 10	723 ± 72
Bucket cylinder	M33 × 2	83 ± 8	600 ± 60
Dozer cylinder	M39 × 2	98 ± 9.8	709 ± 71
Boom swing cylinder	M40 × 2	100 ± 10	723 ± 72

3) Piston nut

Item	Size	kgf · m	lbf · ft
Boom cylinder	M33 × 2	82 ± 8	593 ± 59
Arm cylinder	M33 × 2	82 ± 8	593 ± 59
Bucket cylinder	M29 × 2	73 ± 7	528 ± 53
Dozer cylinder	M39 × 2	150 ± 15	1085 ± 109
Boom swing cylinder	M33 × 2	93 ± 9	673 ± 67

GROUP 5 UNDERCARRIAGE



R35Z98CM08

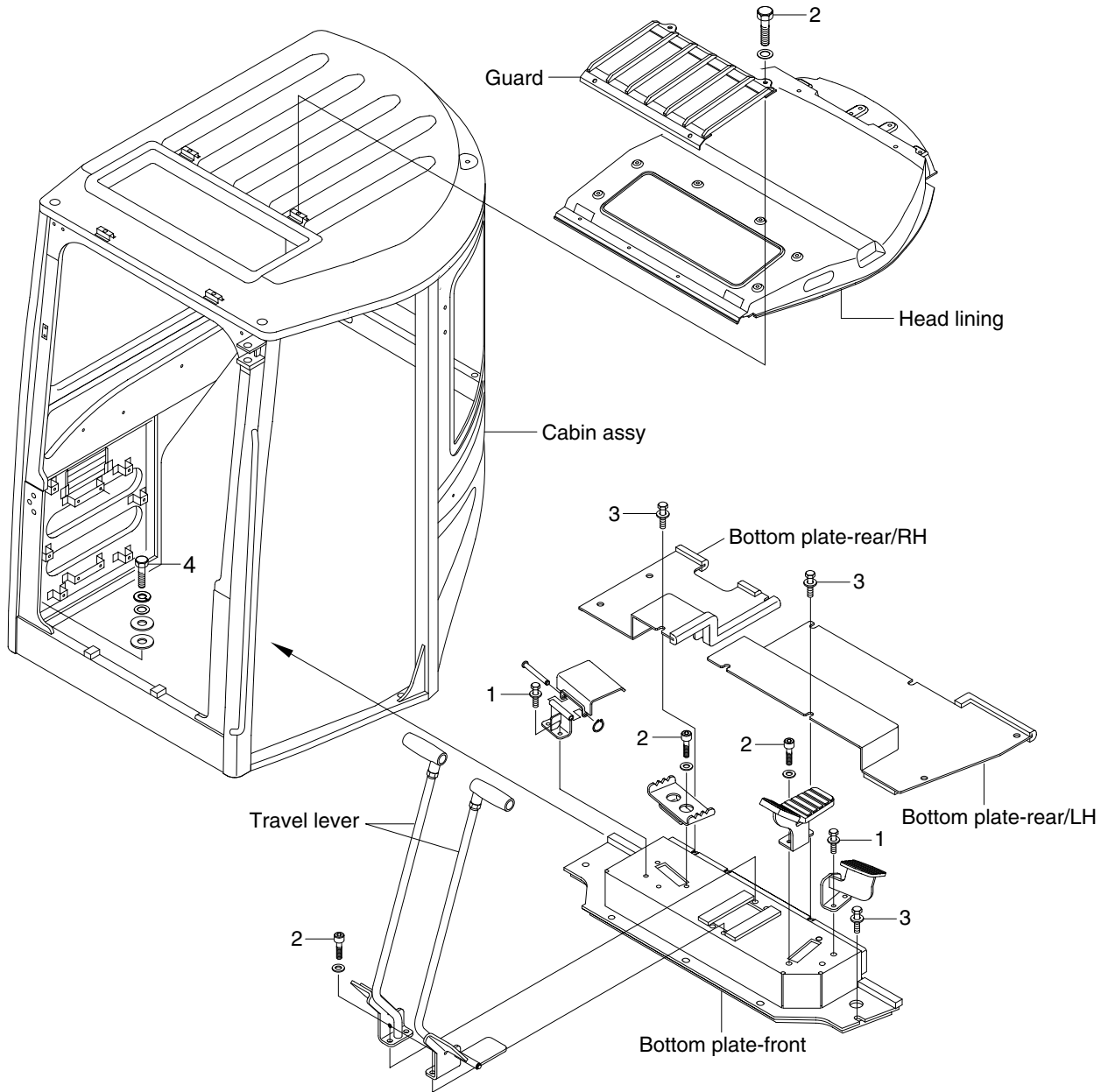
· Tightening torque

Item	Size	kgf · m	lbf · ft
1	M10×1.5	6.9±1.4	50±10.1
2	M12×1.75	12.3±1.2	89±8.7
3	M12×1.75	12.8±2.0	93±14.5

Item	Size	kgf · m	lbf · ft
4	M12×1.75	13.3±2.0	96.2±14.5
5	M12×1.75	13.8±2.0	100±14.5
6	M18×2.0	41.3±3.0	299±22.0

GROUP 6 STRUCTURE

1. CANOPY AND ACCESSORIES MOUNTING



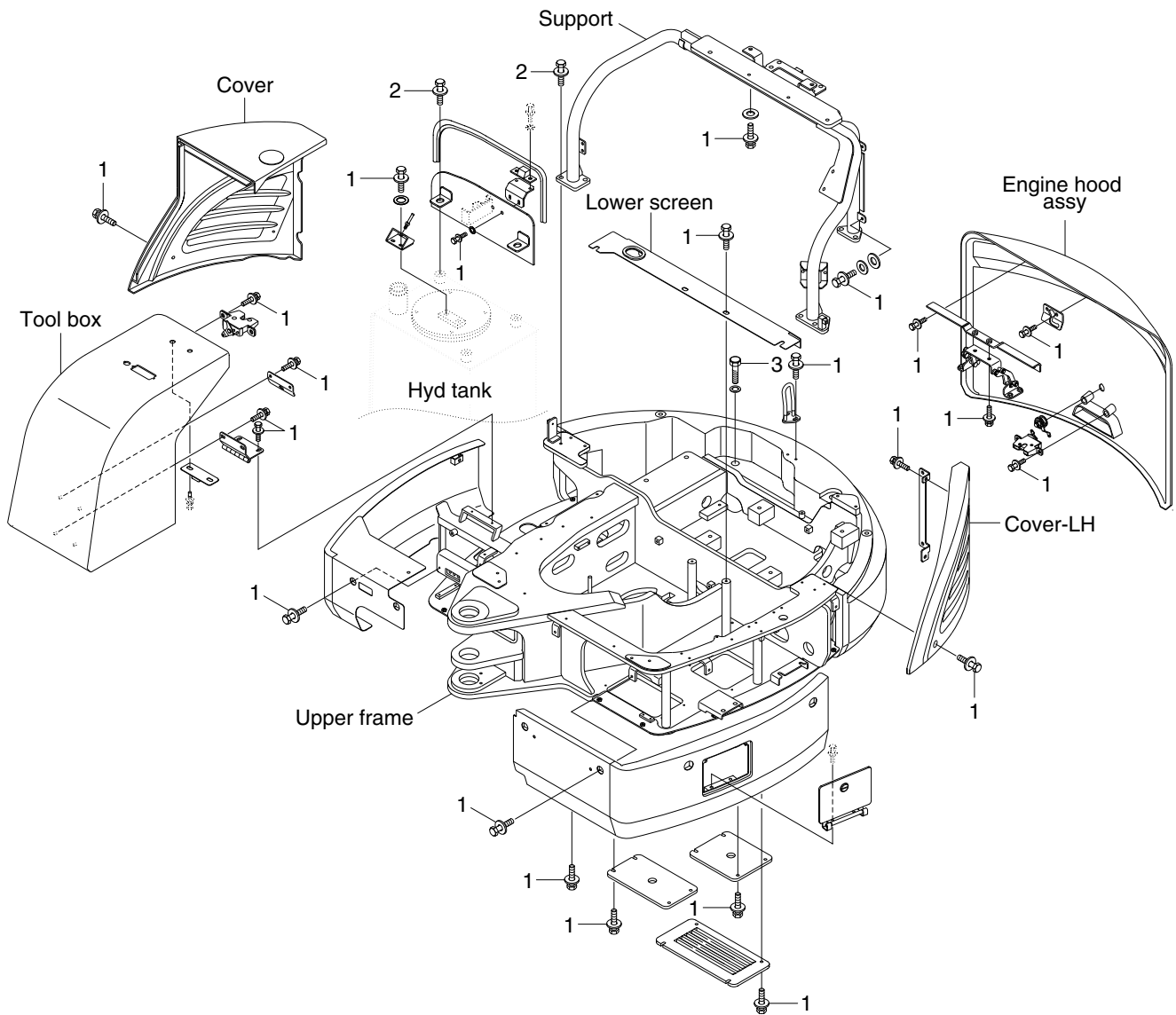
R35Z98CM09

· Tightening torque

Item	Size	kgf · m	lbf · ft
1	M 8 × 1.25	2.5 ± 0.5	18.1 ± 3.6
2	M 8 × 1.25	4.05 ± 0.8	29.3 ± 5.8

Item	Size	kgf · m	lbf · ft
3	M 10 × 1.25	6.9 ± 1.4	50 ± 10
4	M 12 × 1.75	12.8 ± 3.0	92.6 ± 21.7

2. COWLING MOUNTING



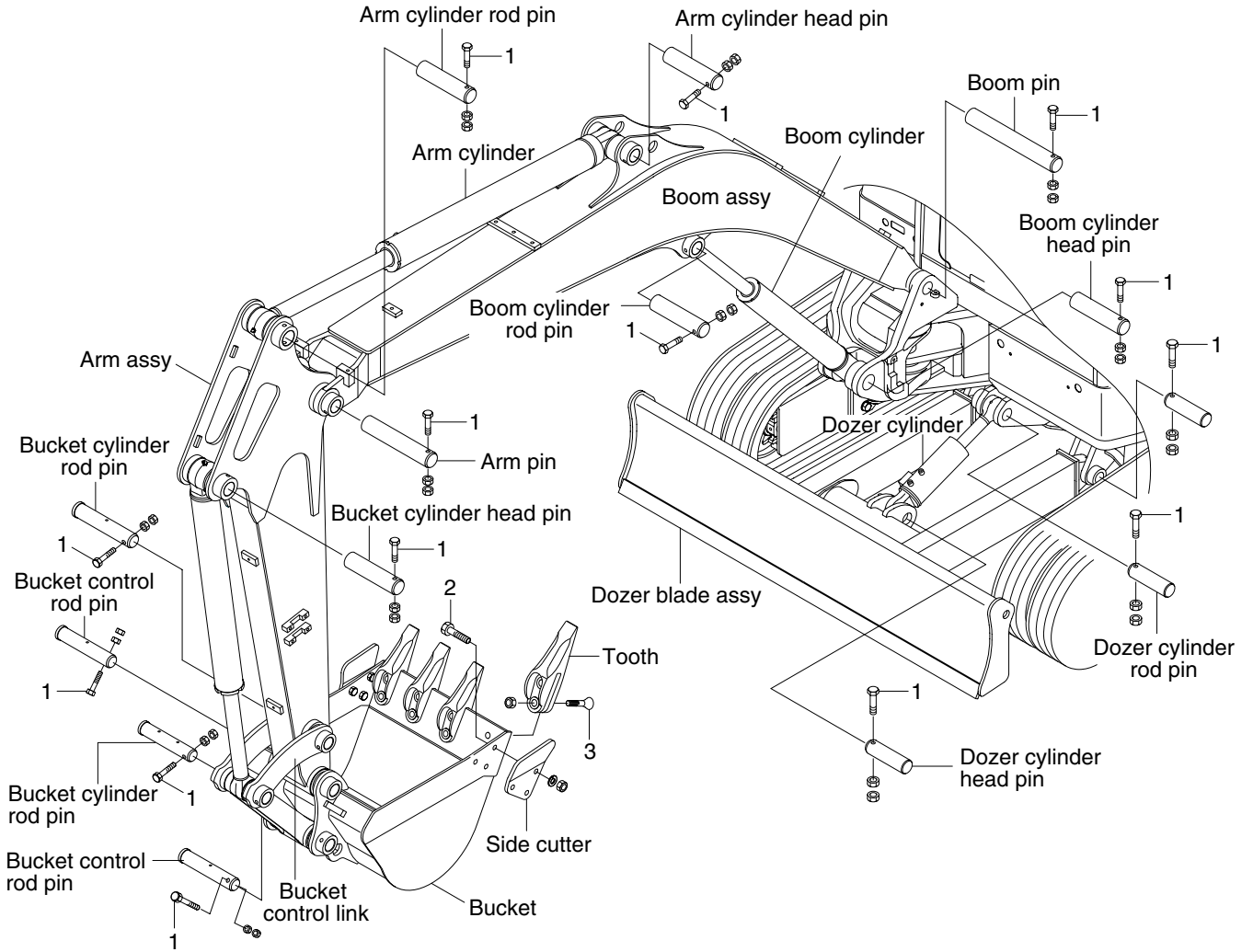
R35Z98CM10

· Tightening torque

Item	Size	kgf · m	lbf · ft
1	M 8×1.25	2.5±0.5	18.1±3.6
2	M12×1.75	12.8±3.0	92.6±21.7

Item	Size	kgf · m	lbf · ft
3	M20×2.5	57.8±6.4	418±46.3

GROUP 7 WORK EQUIPMENT



R35Z98CM11

• Tightening torque

Item	Size	kgf · m	lbf · ft
1	M12 × 1.75	12.8 ± 3.0	92.6 ± 21.7
2	M16 × 2.0	29.7 ± 4.5	215 ± 32.5

Item	Size	kgf · m	lbf · ft
3	M16 × 1.5	31.3 ± 4.7	226 ± 34