

GROUP 5 CONNECTORS

1. CONNECTOR DESTINATION

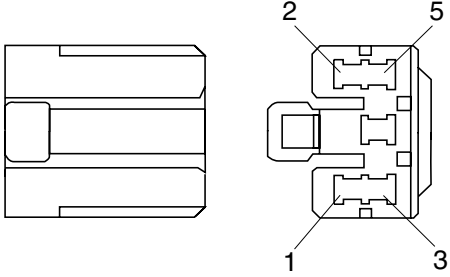
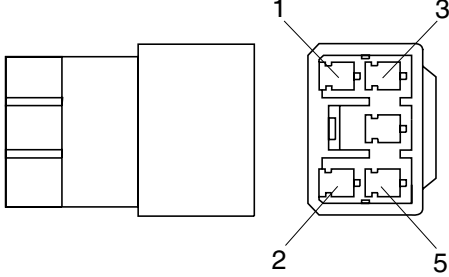
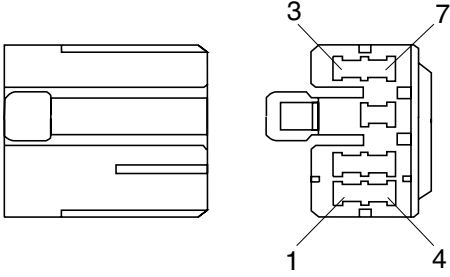
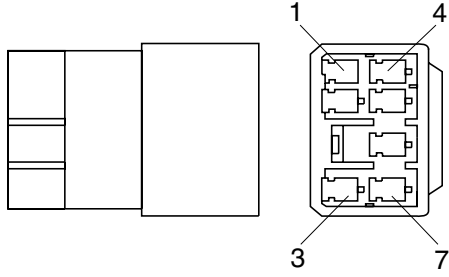
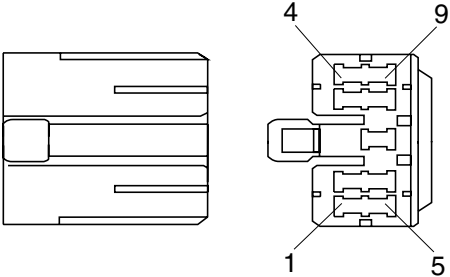
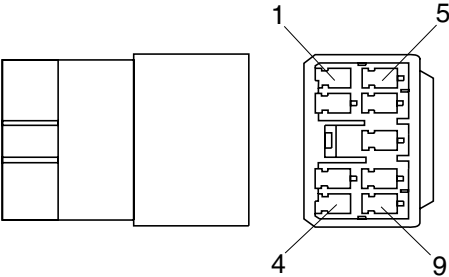
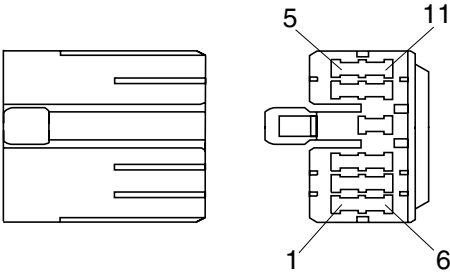
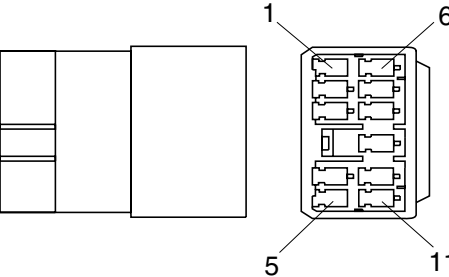
Connector number	Type	No. of pin	Destination	Connector part No.	
				Female	Male
CN-1	-	15	Cabin room harness-RH	2-85262-1	368301-1
CN-2	-	15	Cabin room harness-RH	2-85262-1	368301-1
CN-3	-	15	Cabin room harness-LH	2-85262-1	368301-1
CN-4	AMP	4	Front-RH side harness	S810-004202	S810-104202
CN-5	AMP	2	Relay harness	S813-030201	S813-130201
CN-6	-	15	Relay harness	2-85262-1	368301-1
CN-7	AMP	4	Relay harness	S810-004202	S810-104202
CN-8	-	15	Relay harness	2-85262-1	368301-1
	AMP	1	Air-con harness	-	S810-101202
CN-9	AMP	1	Air-con harness	S810-001202	S810-101202
CN-10	AMP	2	Cabin lamp	-	S816-102002
CN-11	AMP	8	Cabin harness	S810-008202	S810-108202
CN-11-1	AMP	2	Canopy harness	S816-002002	S816-102002
CN-12	AMP	2	Boom harness	S816-002002	S816-102002
CN-20	-	2	Horn	35825-0211	-
CN-21	AMP	4	Wiper harness	180900-0	-
CN-22	KET	2	Washer tank	MG640605	-
CN-23	KET	1	Speaker LH	S822-014002	S822-114002
CN-24	KET	1	Speaker RH	S822-014002	S822-114002
CN-27	-	14	Cassette radio	173852-1	-
CN-28	KET	2	Air-con comp	MG640165	-
CN-29	KET	2	Receiver dryer	MG640795	-
CN-31	-	3	Air-con harness	DT06-3S	DT04-3P
CN-45	TERM	1	Starter	S820-305002	-
	TERM	1		S820-308002	-
CN-46	AMP	4	Heater	180900-0	
CN-48	AMP	3	Hour meter	S810-003202	
CN-55	AMP	2	Travel alarm PS	S816-002002	S816-102002
CN-56	AMP	17	Cluster	172500-1	-
CN-60	AMP	2	Fusible link	-	S831-130200
CN-62	AMP	4	Air-con heater timer	MG610047-5	-
CN-68	DEUTSCH	2	Safety solenoid	DT06-2S-P012	-
CN-70	DEUTSCH	2	Travel HI-LO solenoid	DT06-2S-P012	-
CN-74	SUMITOMO	3	Alternator	6189-0443	-
CN-79	SWP	3	Fuel cut-off solenoid	S813-060300	-
CN-80	TERM	1	Pre heater	S820-306002	-
CN-81	SWP	1	Travel buzzer	S822-014000	S822-114000

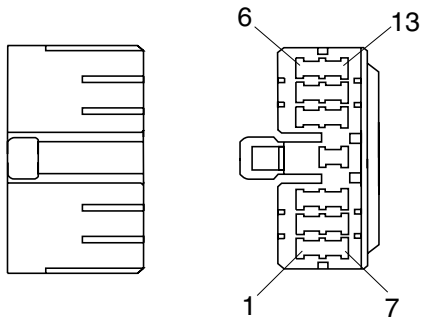
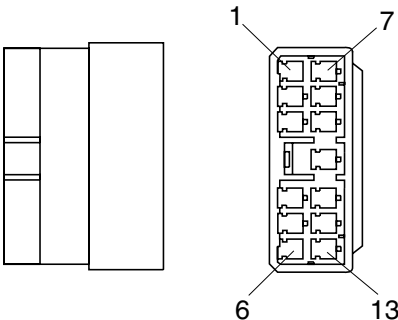
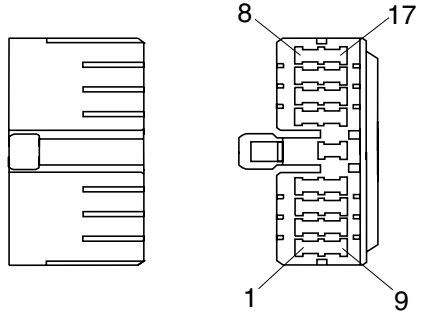
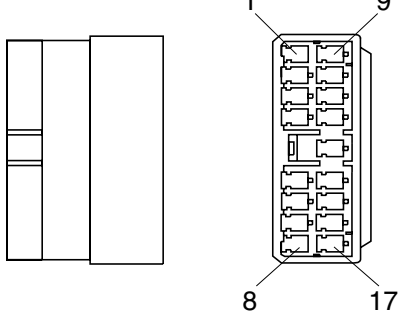
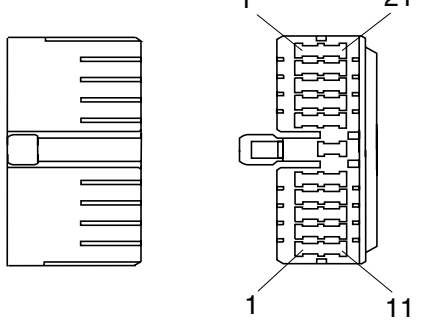
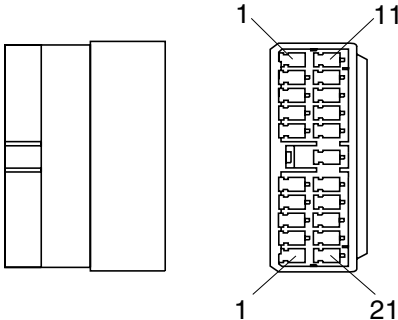
Connector number	Type	No. of pin	Destination	Connector part No.	
				Female	Male
CN-83	KET	2	Air-con fan	-	MG610164
CN-139	AMP	2	12V socket	S810-002202	-
CN-140	DEUTSCH	2	Quick clamp	DT06-2S-P012	DT04-2P-E004
CN-145	-	2	Fuel feed pump	7123-6423-30	-
CN-165	-	6	Safety relay	6195-0021	-
CN-166	-	2	Safety relay	6195-0060	-
CN-167	AMP	8	Detector	S810-008202	-
LAMP					
CL-1	KET	2	Room lamp	MG610392	-
CL-2	AMP	3	Cigar light	S810-003202	-
CL-5	DEUTSCH	2	Work lamp	-	DT04-2P-E004
CL-7	KET	1	Beacon lamp	S822-014002	S822-114000
CL-9	-	2	Cabin lamp (Canopy lamp)	-	DT04-2P-E004
CL-10	-	2	Cabin lamp (Canopy lamp)	DT06-2S-PO12	DT04-2P-E004
RELAY					
CR-2	AMP	4	Horn relay	S810-004002	-
CR-7	KET	4	Air-con relay	MG612017-5	-
CR-35	KET	4	Power relay	MG612017-5	-
CR-50	AMP	4	Timer relay	S810-004202	-
CR-51	KET	4	Engine stop sol relay	MG612017-5	-
SENSOR					
CD-2	AMP	3	Fuel sender	S816-003002	S816-102002
CD-8	-	1	Water temp sender	1-150656-1	-
CD-9	-	1	Water temp switch	1-150656-1	-
CD-10	-	1	Air cleaner	GP890469	-
CD-18	-	1	Engine oil pressure	S810-001202	-
DO-3	-	2	Diode	S816-002002	21EA-50570
DO-4	-	2	Diode	S816-002002	21EA-50550
DO-6	-	2	Diode	S816-002002	21EA-50570
SWITCH					
CS-2	-	2	Start key switch	S813-030201	-
CS-3	SWF	10	Wiper switch	593757	-
CS-4	AMP	3	Safety switch	-	S814-102001
CS-5	-	1	Horn-LH switch	S822-014002	-
	-	1		-	S822-114002
CS-6	SWF	10	Heater switch	593757	-
CS-8	SWF	10	Travel speed switch	593757	-
CS-16	SWF	10	Travel alarm switch	593757	-
CS-21	SWF	10	Light switch	593757	-
CS-23	SWF	10	Beacon lamp switch	593757	-

Connector number	Type	No. of pin	Destination	Connector part No.	
				Female	Male
CS-26	-	1	Breaker switch	S822-014000	-
	-	1		-	S822-114000
CS-27	SWF	10	Breaker switch	593757	-
CS-46	KET	4	Start switch	MG651926	-
CS-67	SWF	10	Quick clamp switch	593757	-
CS-74	-	1	Master switch	ST710287-2	-
CS-83	SWF	10	Spare	593757	-

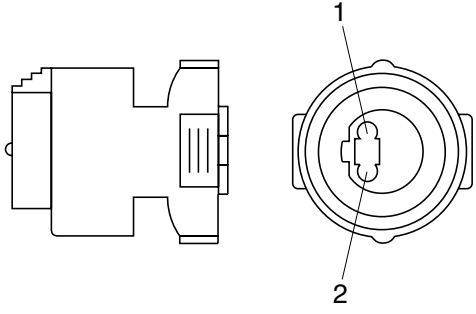
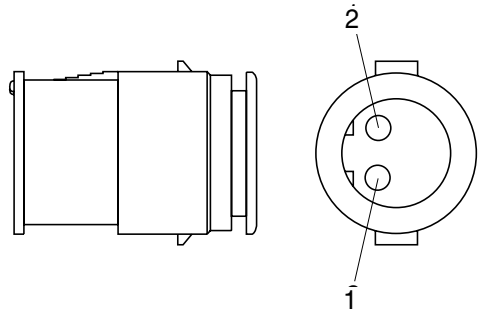
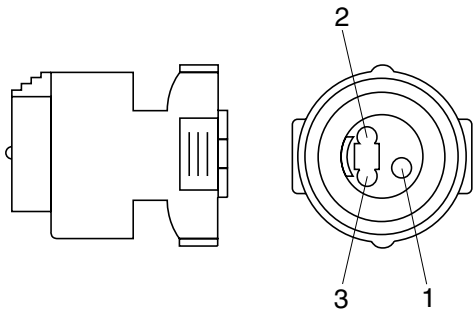
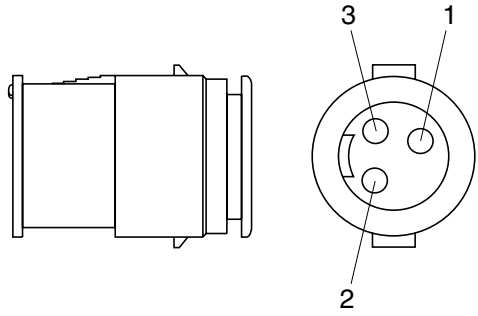
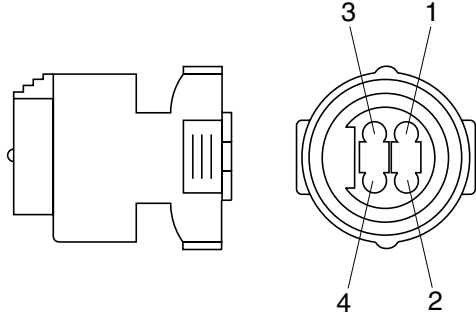
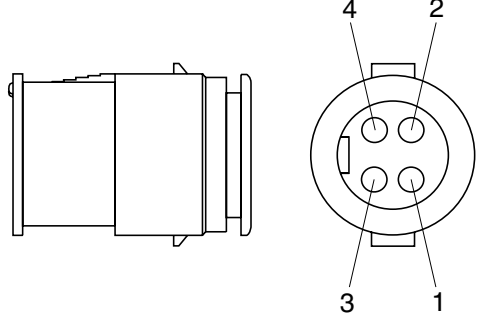
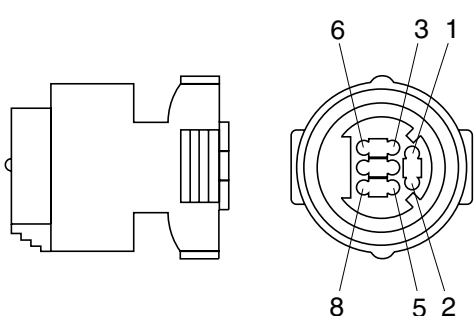
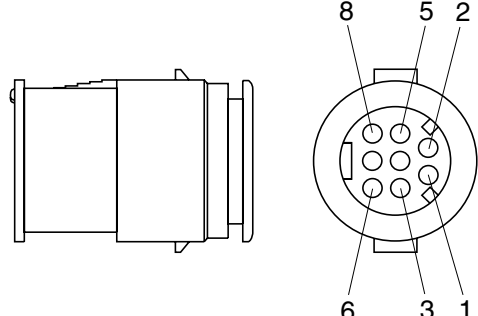
2. CONNECTION TABLE FOR CONNECTORS

1) PA TYPE CONNECTOR

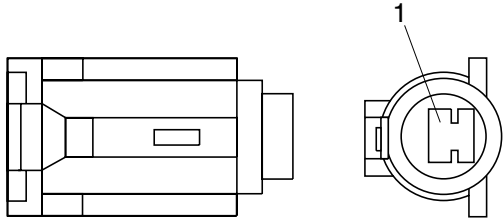
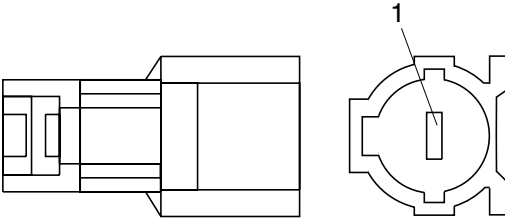
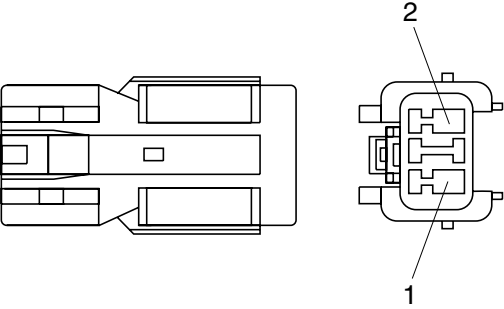
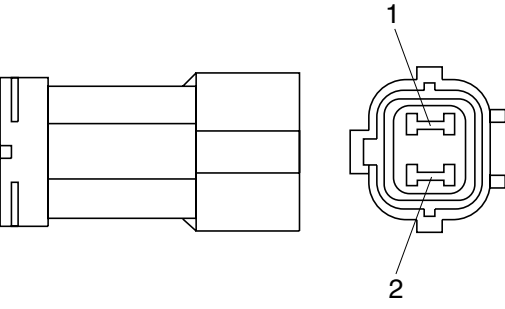
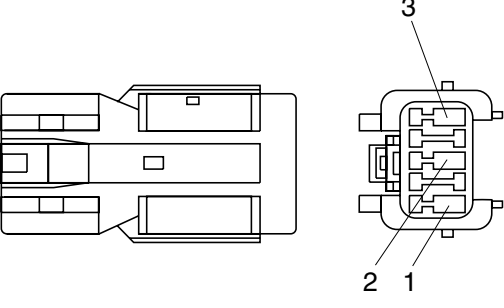
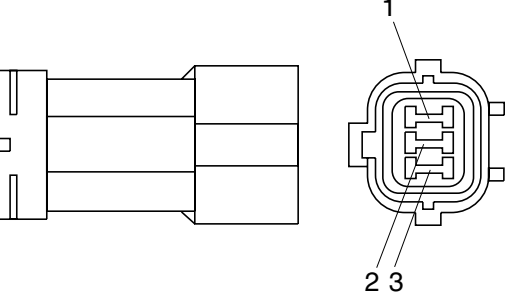
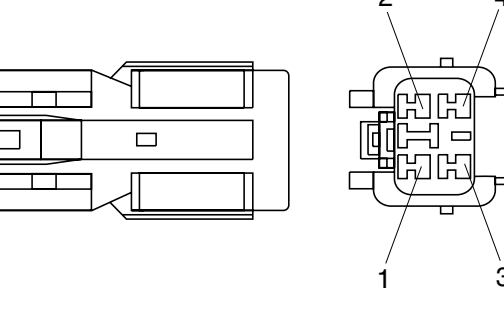
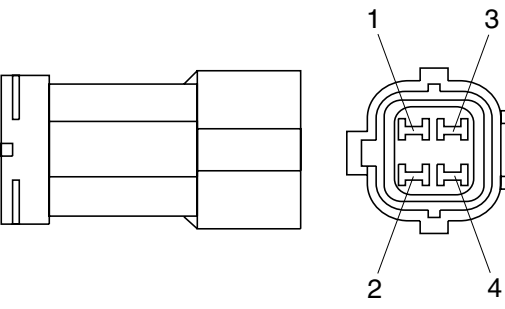
No. of pin	Receptacle connector(Female)	Plug connector(Male)
5	 <p style="text-align: center;">S811-005002</p>	 <p style="text-align: center;">S811-105002</p>
7	 <p style="text-align: center;">S811-007002</p>	 <p style="text-align: center;">S811-107002</p>
9	 <p style="text-align: center;">S811-009002</p>	 <p style="text-align: center;">3S811-109002</p>
11	 <p style="text-align: center;">S811-011002</p>	 <p style="text-align: center;">S811-111002</p>

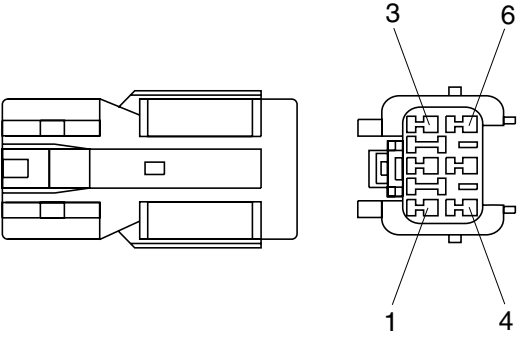
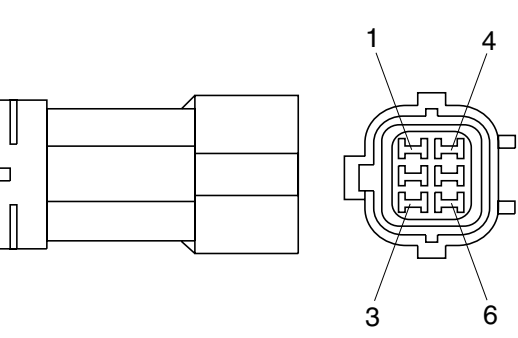
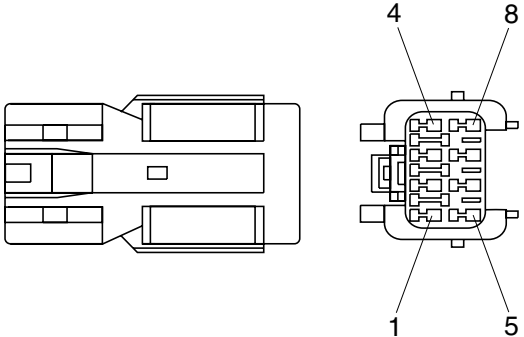
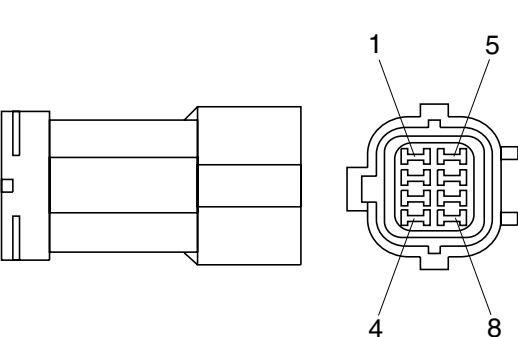
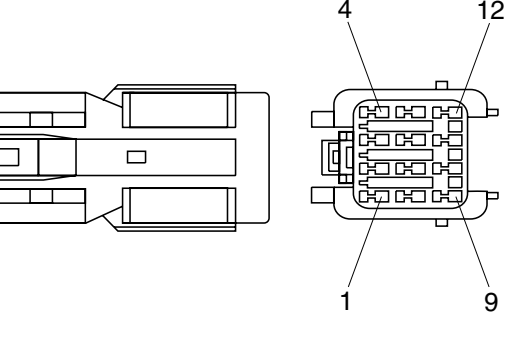
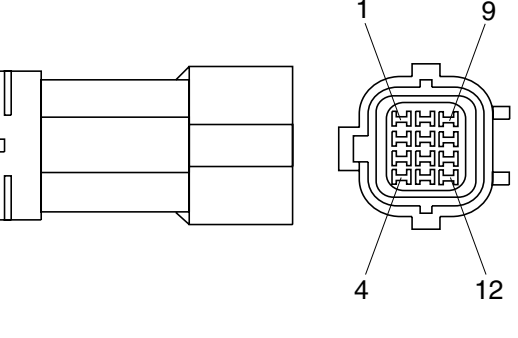
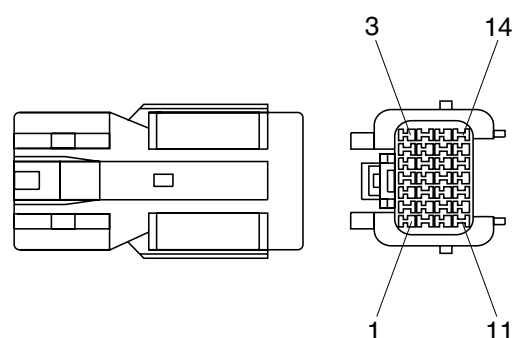
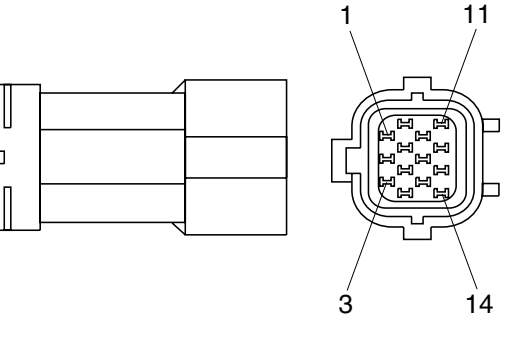
No. of pin	Receptacle connector(Female)	Plug connector(Male)
13	 <p data-bbox="687 629 839 658">S811-013002</p>	 <p data-bbox="1246 629 1398 658">S811-113002</p>
17	 <p data-bbox="687 1041 839 1070">S811-017002</p>	 <p data-bbox="1246 1041 1398 1070">S811-117002</p>
21	 <p data-bbox="687 1447 839 1476">S811-021002</p>	 <p data-bbox="1246 1447 1398 1476">S811-121002</p>

2) J TYPE CONNECTOR

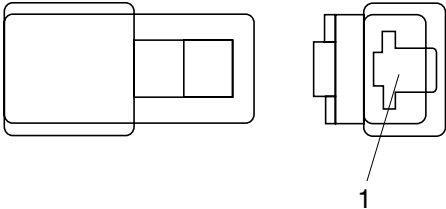
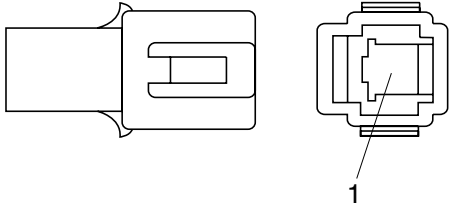
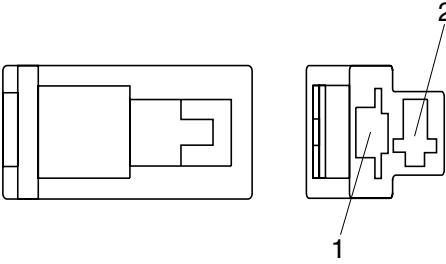
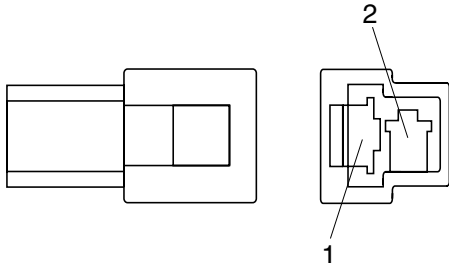
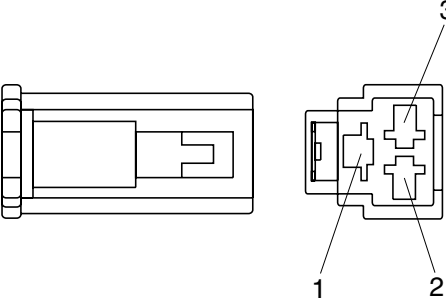
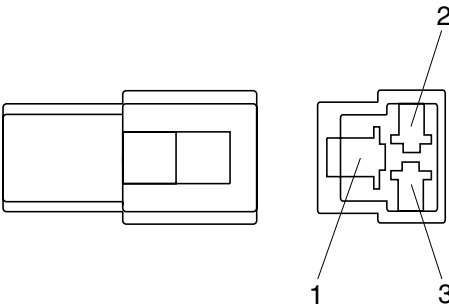
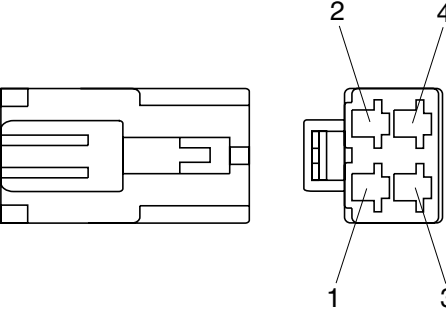
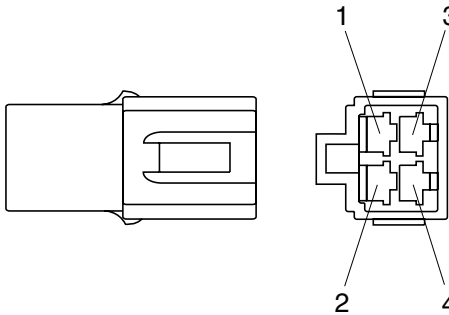
No. of pin	Receptacle connector(Female)	Plug connector(Male)
2	 <p style="text-align: center;">S816-002001</p>	 <p style="text-align: center;">S816-102001</p>
3	 <p style="text-align: center;">S816-003001</p>	 <p style="text-align: center;">S816-103001</p>
4	 <p style="text-align: center;">S816-004001</p>	 <p style="text-align: center;">S816-104001</p>
8	 <p style="text-align: center;">S816-008001</p>	 <p style="text-align: center;">S816-108001</p>

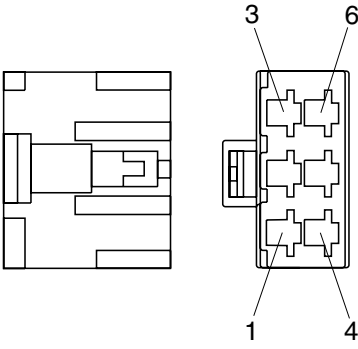
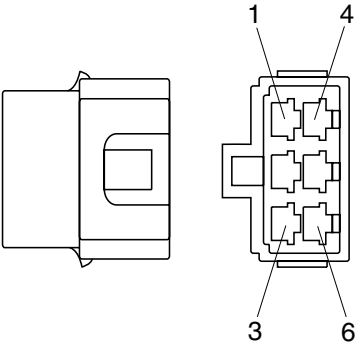
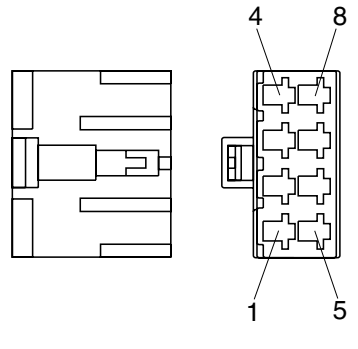
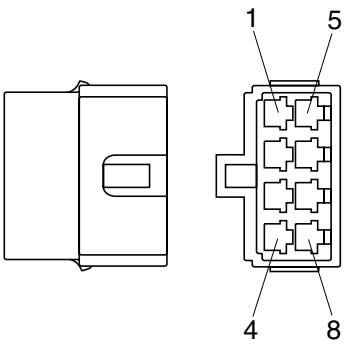
3) SWP TYPE CONNECTOR

No. of pin	Receptacle connector(Female)	Plug connector(Male)
1	 <p data-bbox="689 674 837 703">S814-001000</p>	 <p data-bbox="1246 674 1394 703">S814-101000</p>
2	 <p data-bbox="689 1077 837 1106">S814-002000</p>	 <p data-bbox="1246 1077 1394 1106">S814-102000</p>
3	 <p data-bbox="689 1487 837 1516">S814-003000</p>	 <p data-bbox="1246 1487 1394 1516">S814-103000</p>
4	 <p data-bbox="689 1897 837 1926">S814-004000</p>	 <p data-bbox="1246 1897 1394 1926">S814-104000</p>

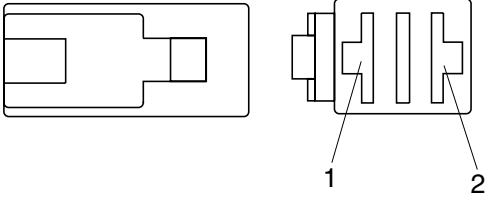
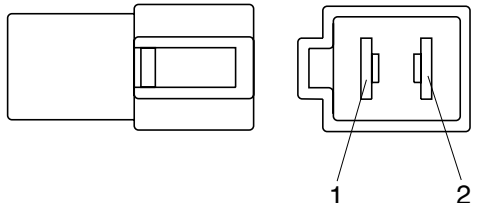
No. of pin	Receptacle connector(Female)	Plug connector(Male)
6	 <p data-bbox="686 627 837 660">S814-006000</p>	 <p data-bbox="1244 627 1396 660">S814-106000</p>
8	 <p data-bbox="686 1030 837 1064">S814-008000</p>	 <p data-bbox="1244 1030 1396 1064">S814-108000</p>
12	 <p data-bbox="686 1433 837 1467">S814-012000</p>	 <p data-bbox="1244 1433 1396 1467">S814-112000</p>
14	 <p data-bbox="686 1836 837 1870">S814-014000</p>	 <p data-bbox="1244 1836 1396 1870">S814-114000</p>

4) CN TYPE CONNECTOR

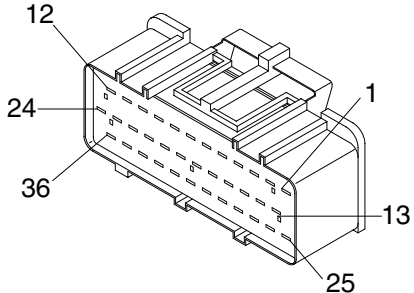
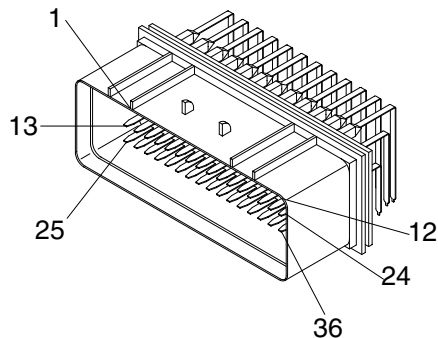
No. of pin	Receptacle connector(Female)	Plug connector(Male)
1	 <p data-bbox="687 674 839 703">S810-001202</p>	 <p data-bbox="1240 674 1391 703">S810-101202</p>
2	 <p data-bbox="687 1077 839 1106">S810-002202</p>	 <p data-bbox="1240 1077 1391 1106">S810-102202</p>
3	 <p data-bbox="687 1480 839 1509">S810-003202</p>	 <p data-bbox="1240 1480 1391 1509">S810-103202</p>
4	 <p data-bbox="687 1883 839 1912">S810-004202</p>	 <p data-bbox="1240 1883 1391 1912">S810-104202</p>

No. of pin	Receptacle connector(Female)	Plug connector(Male)
6	 <p data-bbox="686 627 837 660">S810-006202</p>	 <p data-bbox="1244 627 1396 660">S810-106202</p>
8	 <p data-bbox="686 1041 837 1075">S810-008202</p>	 <p data-bbox="1244 1041 1396 1075">S810-108202</p>

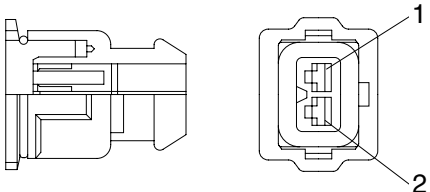
5) 375 FASTEN TYPE CONNECTOR

No. of pin	Receptacle connector(Female)	Plug connector(Male)
2	 <p style="text-align: center;">S810-002402</p>	 <p style="text-align: center;">S810-102402</p>

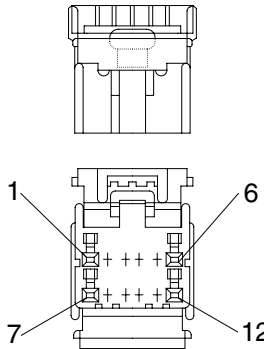
6) AMP ECONOSEAL CONNECTOR

No. of pin	Receptacle connector(Female)	Plug connector(Male)
36	 <p style="text-align: center;">344111-1</p>	 <p style="text-align: center;">344108-1</p>

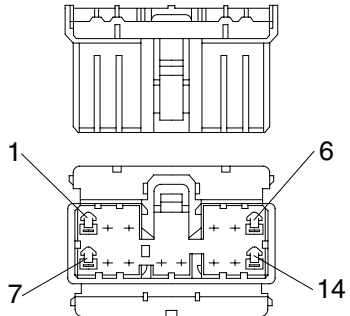
7) AMP TIMER CONNECTOR

No. of pin	Receptacle connector(Female)	Plug connector(Male)
2	 <p style="text-align: center;">85202-1</p>	

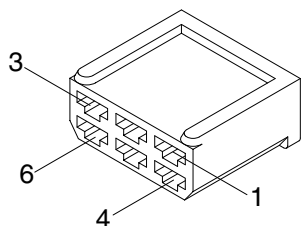
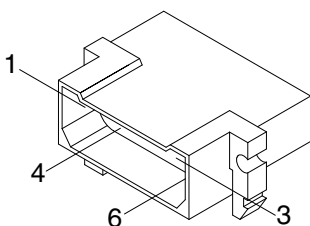
8) AMP 040 MULTILOCK CONNECTOR

No. of pin	Receptacle connector(Female)	Plug connector(Male)
12	 <p style="text-align: right;">174045-2</p>	

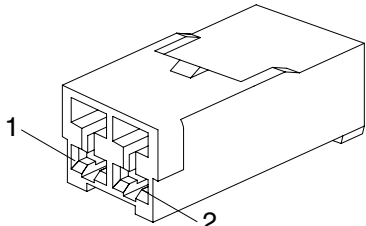
9) AMP 070 MULTILOCK CONNECTOR

No. of pin	Receptacle connector(Female)	Plug connector(Male)
14	 <p style="text-align: right;">173852</p>	

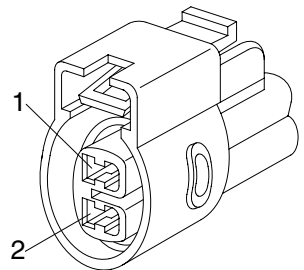
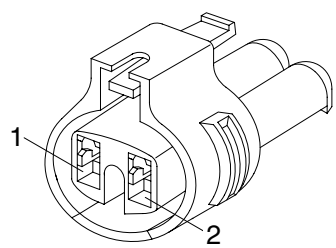
10) AMP FASTIN - FASTON CONNECTOR

No. of pin	Receptacle connector(Female)	Plug connector(Male)
6	 <p style="text-align: right;">925276-0</p>	 <p style="text-align: right;">480003-9</p>

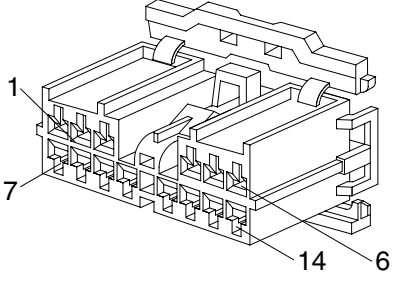
11) KET 090 CONNECTOR

No. of pin	Receptacle connector(Female)	Plug connector(Male)
2	 <p style="text-align: right;">MG610070</p>	

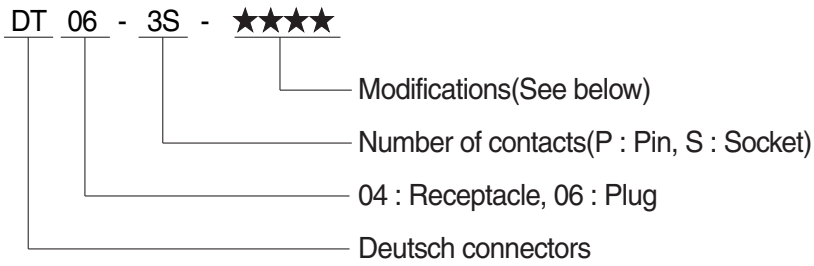
12) KET 090 WP CONNECTORS

No. of pin	Receptacle connector(Female)	Plug connector(Male)
2	 <p style="text-align: right;">MG640605</p>	
2	 <p style="text-align: right;">MG640795</p>	

13) KET SDL CONNECTOR

No. of pin	Receptacle connector(Female)	Plug connector(Male)
14	 <p data-bbox="715 676 837 705">MG610406</p>	

14) DEUTSCH DT CONNECTORS



※ Modification

E003 : Standard end cap - gray

E004 : Color of connector to be black

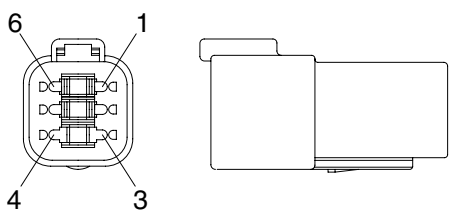
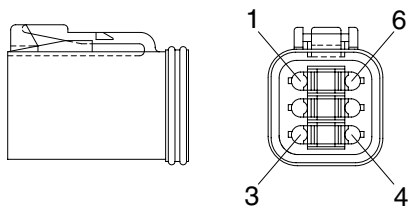
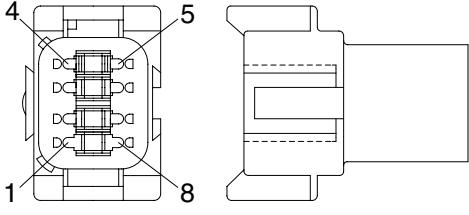
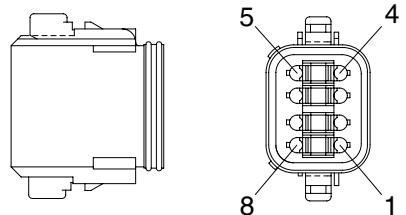
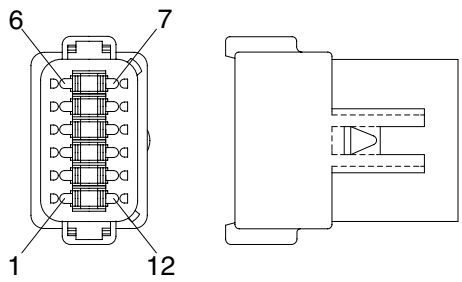
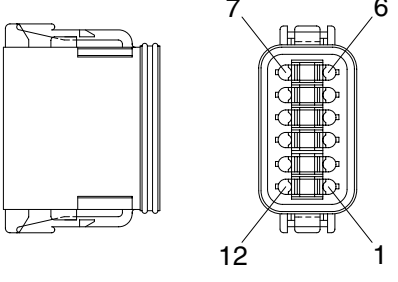
E005 : Combination - E004 & E003

EP04 : End cap

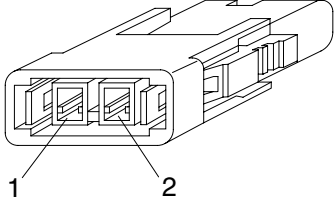
EP06 : Combination P012 & EP04

P012 : Front seal enhancement - connectors color to black for 2, 3, 4 & 6pin

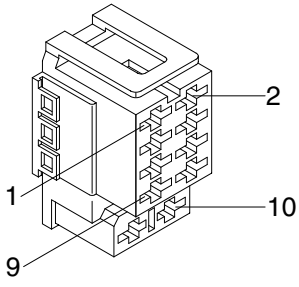
No. of pin	Receptacle connector(Female)	Plug connector(Male)
2	<p style="text-align: right;">DT06-2S</p>	<p style="text-align: right;">DT04-2P</p>
3	<p style="text-align: right;">DT06-3S</p>	<p style="text-align: right;">DT04-3P</p>
4	<p style="text-align: right;">DT06-4S</p>	<p style="text-align: right;">DT04-4P</p>

No. of pin	Receptacle connector(Female)	Plug connector(Male)
6	 <p style="text-align: right;">DT06-6S</p>	 <p style="text-align: right;">DT04-6P</p>
8	 <p style="text-align: right;">DT06-8S</p>	 <p style="text-align: right;">DT04-8P</p>
12	 <p style="text-align: right;">DT06-12S</p>	 <p style="text-align: right;">DT04-12P</p>

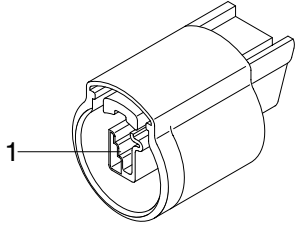
15) MOLEX 2CKTS CONNECTOR

No. of pin	Receptacle connector(Female)	Plug connector(Male)
2	 <p data-bbox="705 676 837 705">35215-0200</p>	

16) ITT SWF CONNECTOR

No. of pin	Receptacle connector(Female)	Plug connector(Male)
10	 <p data-bbox="699 1263 837 1292">SWF593757</p>	

17) MWP NMWP CONNECTOR

No. of pin	Receptacle connector(Female)	Plug connector(Male)
1	 <p data-bbox="689 1850 837 1879">NMWP01F-B</p>	