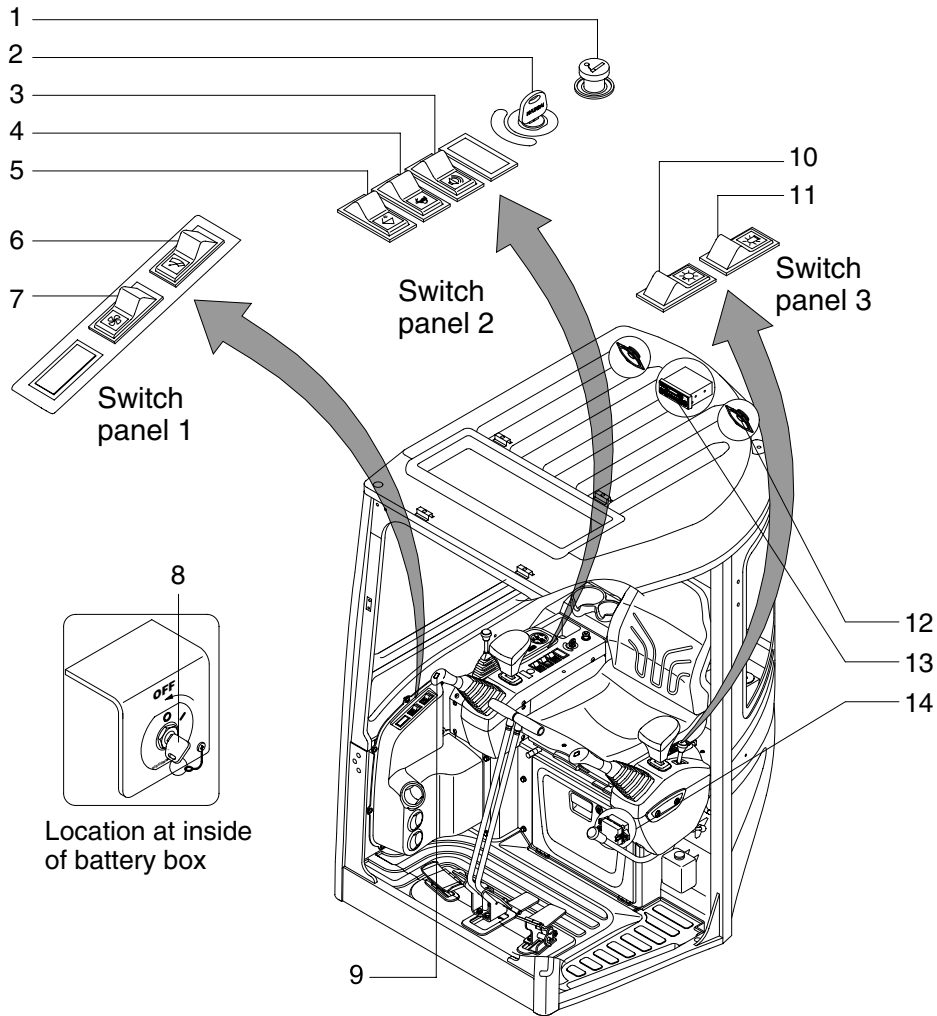


SECTION 4 ELECTRICAL SYSTEM

GROUP 1 COMPONENT LOCATION

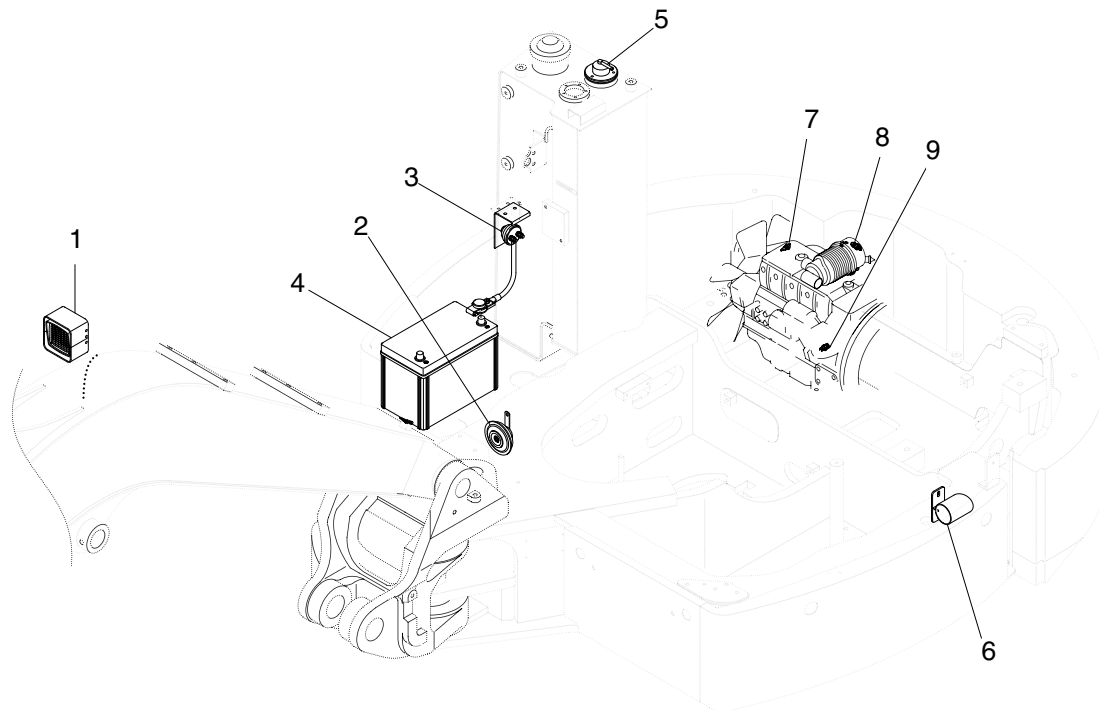
1. LOCATION 1



R35Z74EL02

- | | | | | | |
|---|----------------------|----|---------------------|----|------------------|
| 1 | Cigar light | 6 | Washer/wiper switch | 11 | Beacon switch |
| 2 | Start switch | 7 | Heater switch | 12 | Speaker |
| 3 | Travel alarm switch | 8 | Master switch | 13 | Cassette & radio |
| 4 | Travel speed control | 9 | Horn switch | 14 | Fuse box |
| 5 | Quick clamp switch | 10 | Main light switch | | |

2. LOCATION 2



R35Z74EL22

- | | | | | | |
|---|---------------|---|---------------------|---|-----------------------------|
| 1 | Lamp | 4 | Battery | 7 | Temperature sender |
| 2 | Horn | 5 | Fuel sender | 8 | Air cleaner pressure switch |
| 3 | Master switch | 6 | Travel alarm buzzer | 9 | Engine oil pressure switch |