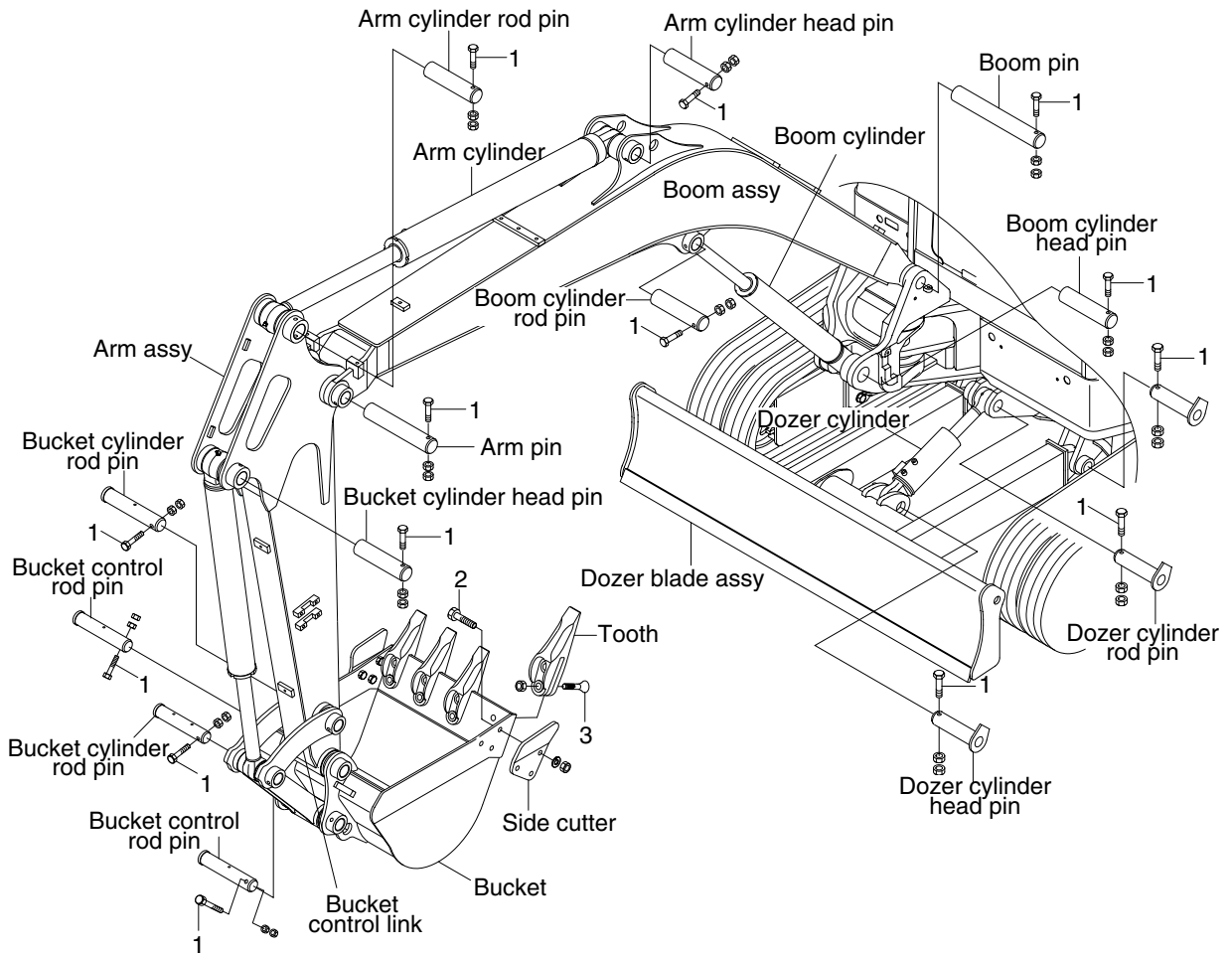


# GROUP 7 WORK EQUIPMENT



R35Z78CM11

• Tightening torque

Item	Size	kgf · m	lbf · ft
1	M12×1.75	12.8±3.0	92.6±21.7
2	M16×2.0	29.7±4.5	215±32.5

Item	Size	kgf · m	lbf · ft
3	M16×1.5	31.3±4.7	226±34