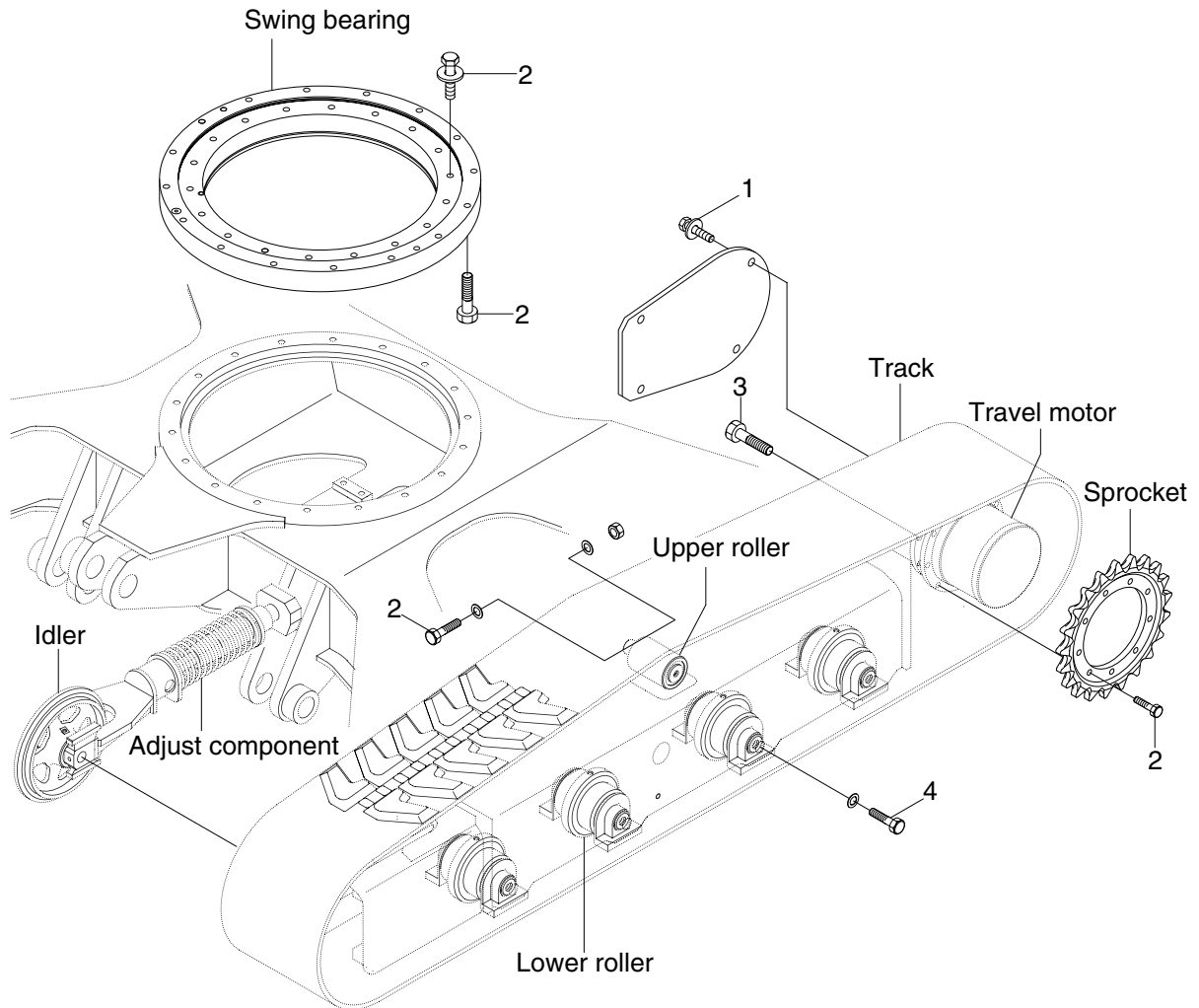


## GROUP 5 UNDERCARRIAGE



R35Z78CM08

### · Tightening torque

Item	Size	kgf · m	lbf · ft
1	M10×1.5	6.9±1.4	49.9±10.1
2	M12×1.75	12.8±3.0	92.6±21.7

Item	Size	kgf · m	lbf · ft
3	M12×1.75	138±2	100±14
4	M18×2.0	41.3±6.2	299±45