

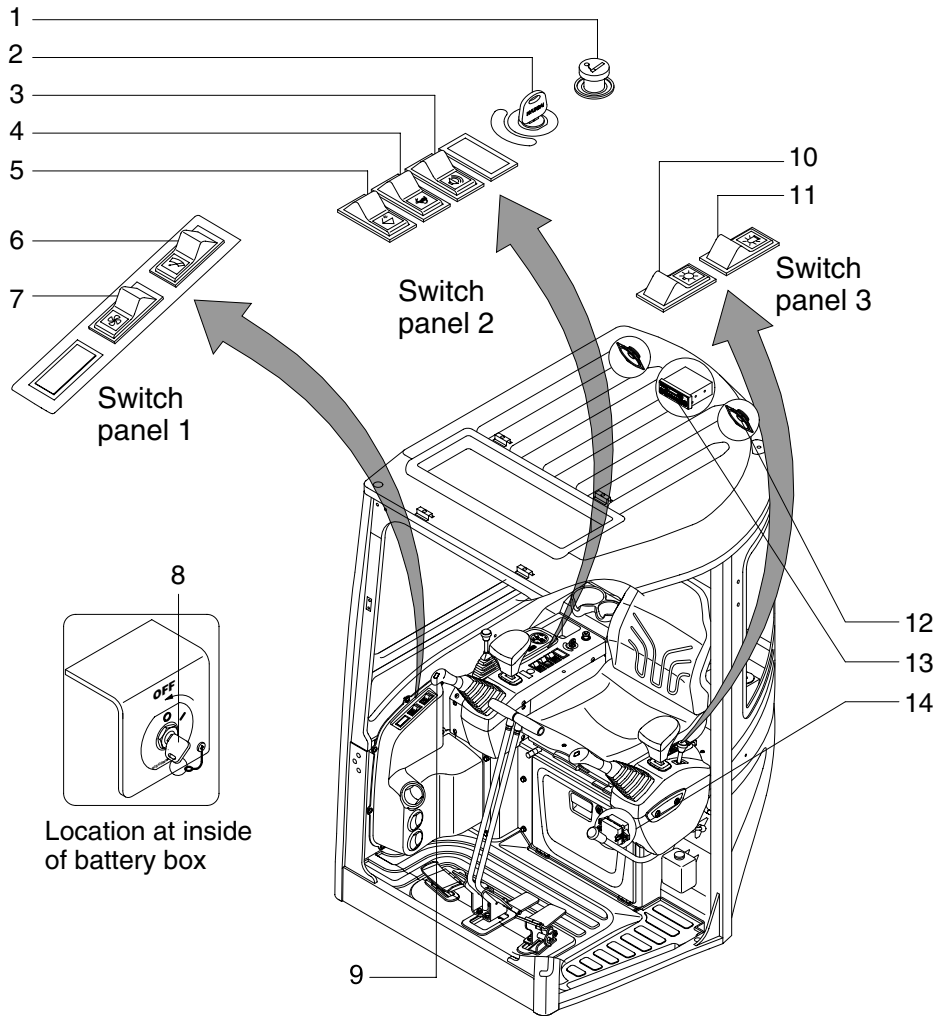
## SECTION 4 ELECTRICAL SYSTEM

Group 1 Component Location .....	4-1
Group 2 Monitoring system .....	4-3
Group 3 Electrical Circuit .....	4-9
Group 4 Electrical Component Specification .....	4-25
Group 5 Connectors .....	4-32

# SECTION 4 ELECTRICAL SYSTEM

## GROUP 1 COMPONENT LOCATION

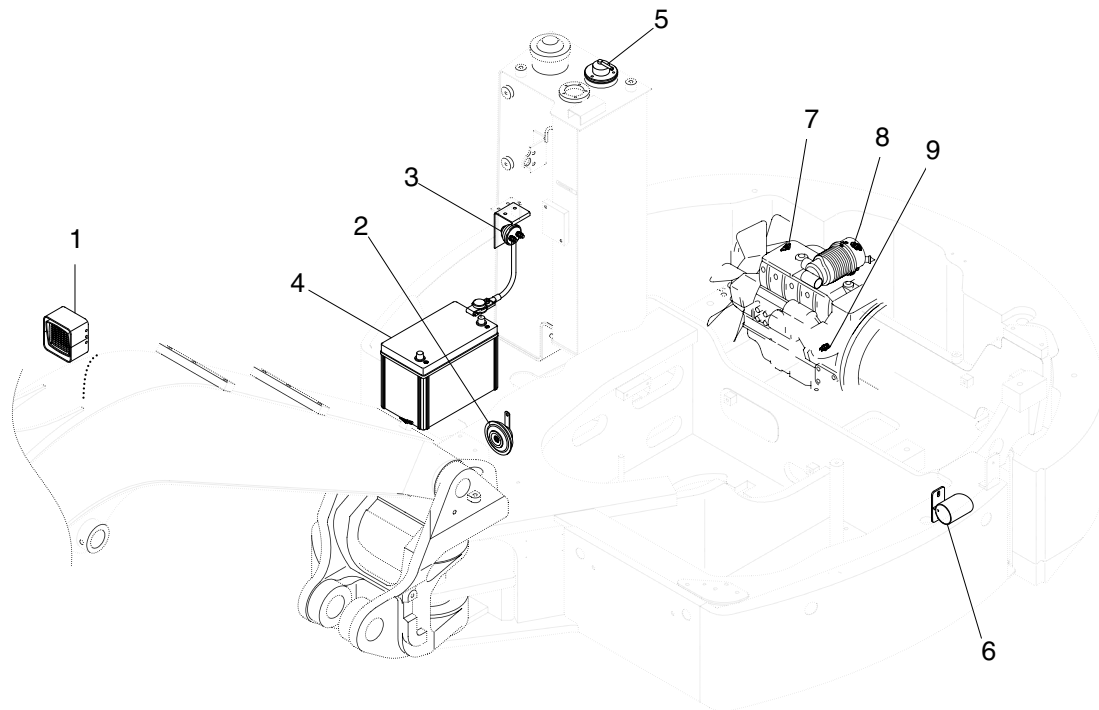
### 1. LOCATION 1



R35Z74EL02

- |                        |                       |                     |
|------------------------|-----------------------|---------------------|
| 1 Cigar light          | 6 Washer/wiper switch | 11 Beacon switch    |
| 2 Start switch         | 7 Heater switch       | 12 Speaker          |
| 3 Travel alarm switch  | 8 Master switch       | 13 Cassette & radio |
| 4 Travel speed control | 9 Horn switch         | 14 Fuse box         |
| 5 Quick clamp switch   | 10 Main light switch  |                     |

## 2. LOCATION 2



R35Z74EL22

- |   |               |   |                     |   |                             |
|---|---------------|---|---------------------|---|-----------------------------|
| 1 | Lamp          | 4 | Battery             | 7 | Temperature sender          |
| 2 | Horn          | 5 | Fuel sender         | 8 | Air cleaner pressure switch |
| 3 | Master switch | 6 | Travel alarm buzzer | 9 | Engine oil pressure switch  |