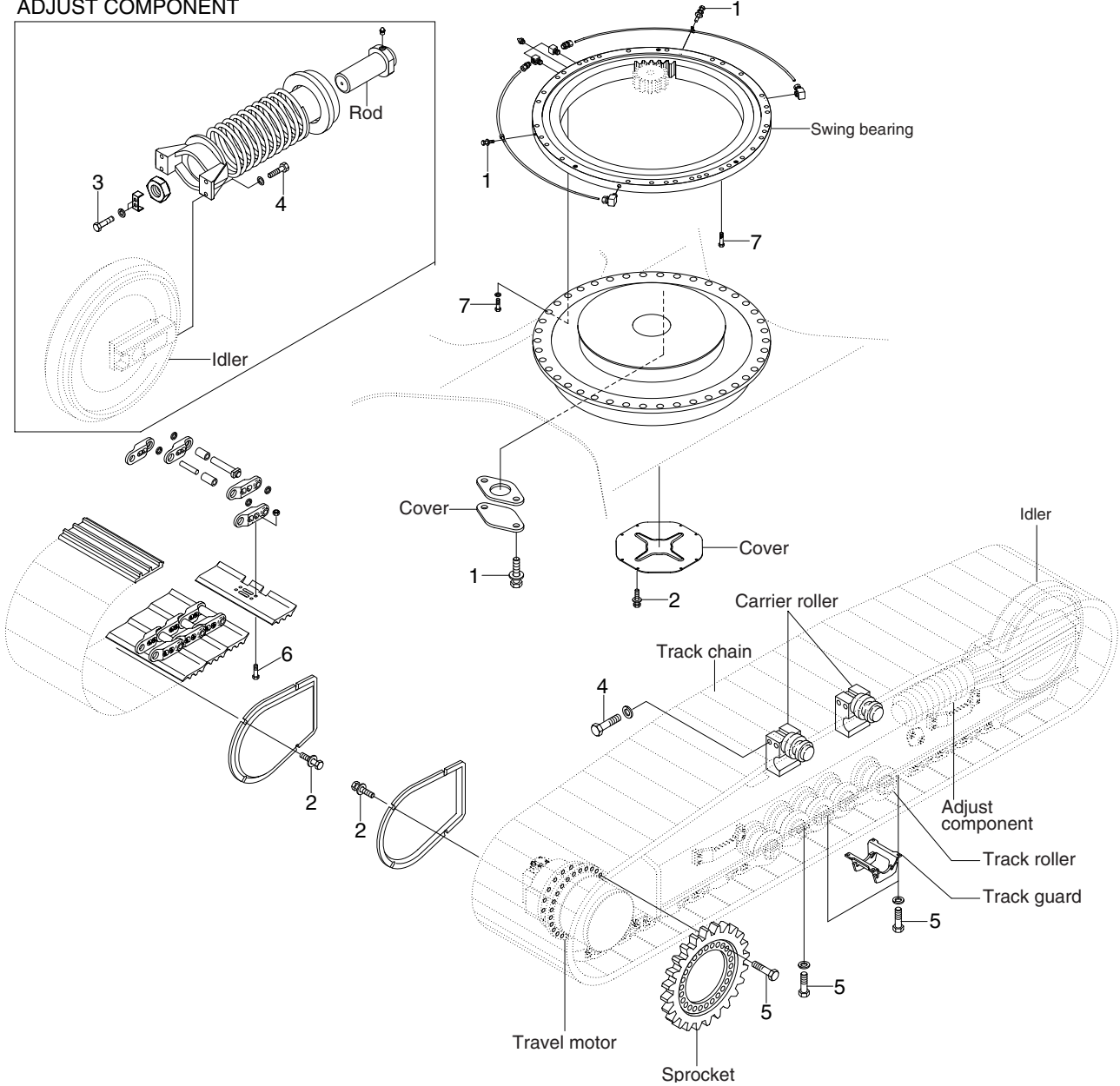


GROUP 5 UNDERCARRIAGE

UNDERCARRIAGE MOUNTING

ADJUST COMPONENT



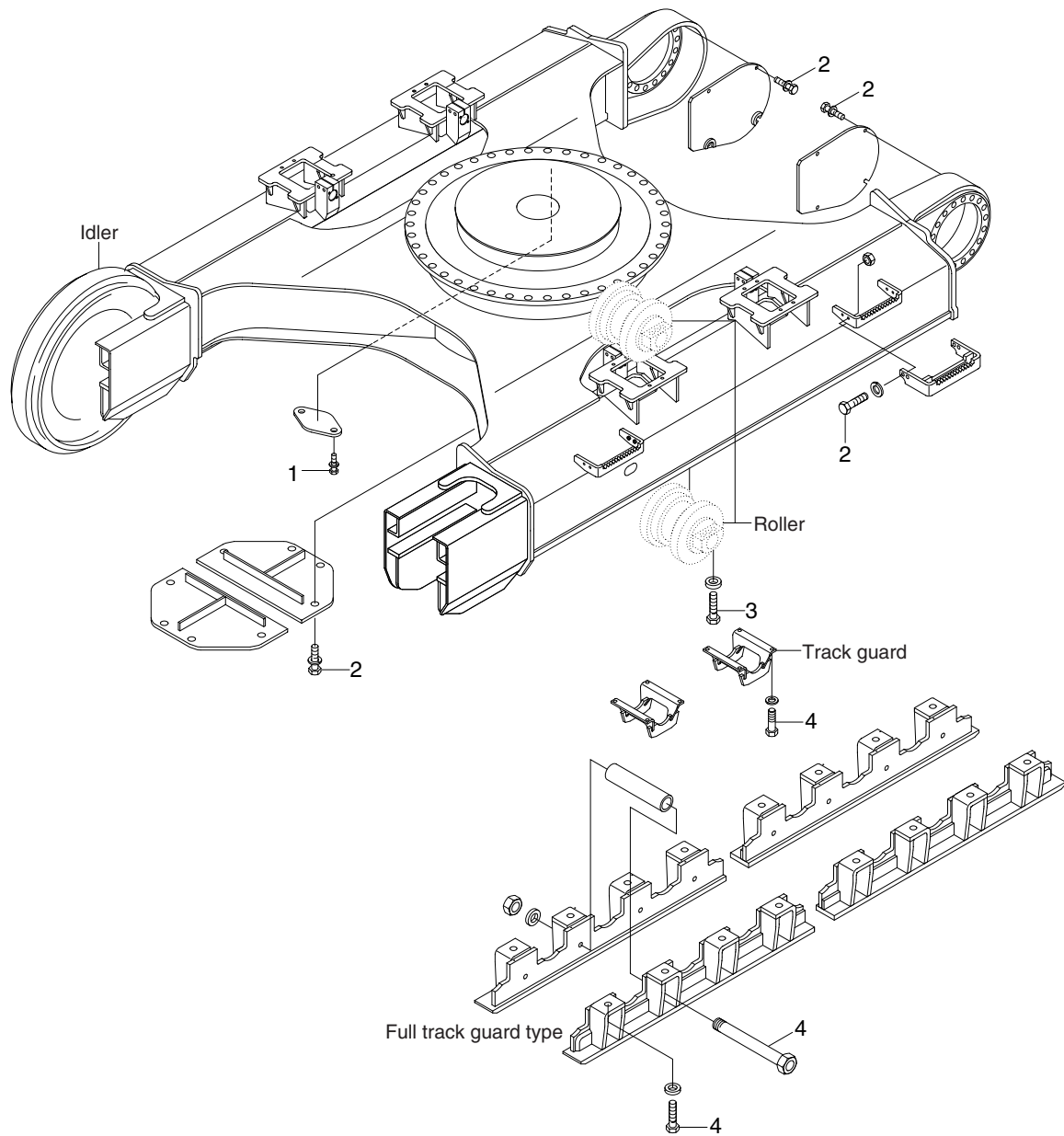
3309SH9CM08

· Tightening torque

Item	Size	kgf · m	lbf · ft
1	M10×1.5	6.9±1.4	49.9±10.1
2	M12×1.75	12.8±3.0	92.6±21.7
3	M12×1.25	15±0.5	108±3.6
4	M16×2.0	29.7±4.5	215±32.5

Item	Size	kgf · m	lbf · ft
5	M20×2.5	57.9±6.0	419±43.4
6	M22×1.5	123±6.0	890±43.4
7	M24×3.0	97.8±10	707±72.3
-	-	-	-

UNDERCARRIAGE MOUNTING (HIGH WALKER)



3309SH9CM14

· Tightening torque

Item	Size	kgf · m	lbf · ft
1	M10×1.5	6.9±1.4	49.9±10.1
2	M12×1.75	12.2±1.3	88.2±9.4

Item	Size	kgf · m	lbf · ft
3	M20×2.5	57.9±8.6	419±62.2
4	M24×3.0	100±15	723±108