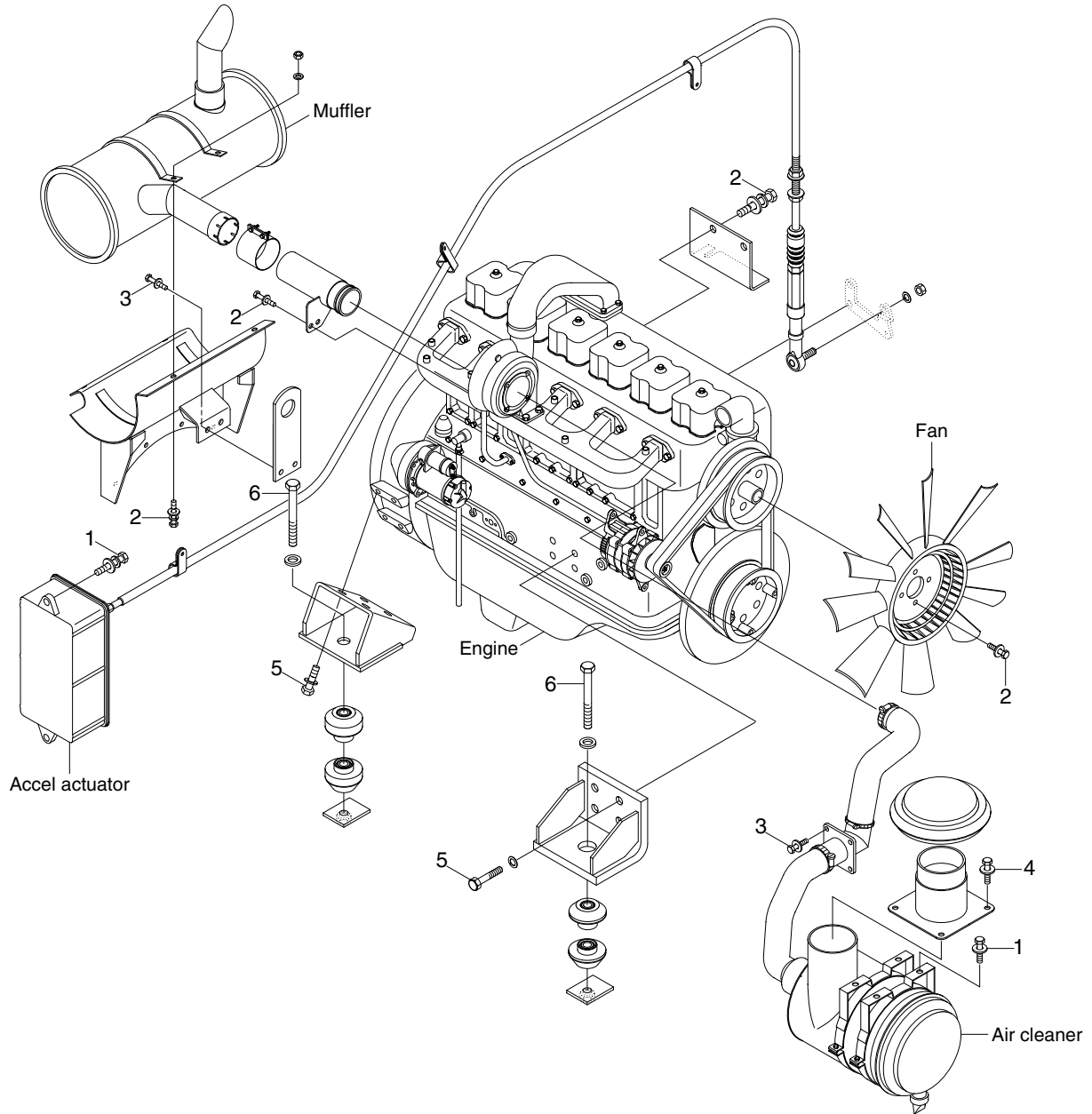


## GROUP 2 ENGINE SYSTEM

### ENGINE AND ACCESSORIES MOUNTING



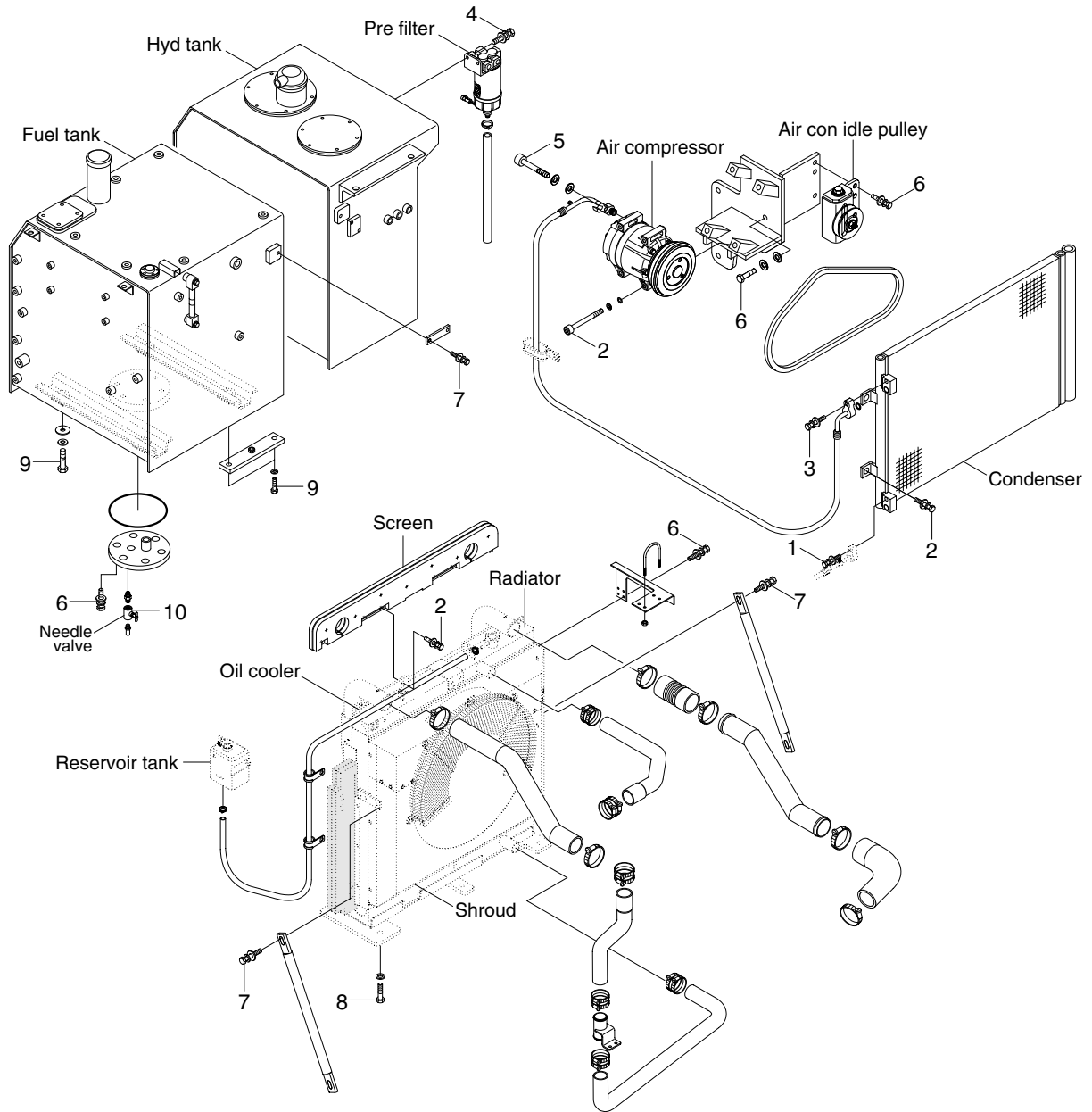
3309SH9CM01

#### · Tightening torque

Item	Size	kgf · m	lbf · ft
1	M 8×1.25	2.5±0.5	18.1±3.6
2	M10×1.5	6.9±1.4	49.9±10.1
3	M12×1.75	10.0±2.0	72.3±14.5

Item	Size	kgf · m	lbf · ft
4	M12×1.75	12.8±3.0	92.6±21.7
5	M14×2.0	15±2.0	108±14.4
6	M22×2.5	48±2.0	347±14.4

# COOLING SYSTEM AND FUEL TANK MOUNTING



3309SH9CM02

## · Tightening torque

Item	Size	kgf · m	lbf · ft
1	M 6×1.0	0.5±0.2	3.6±1.45
2	M 8×1.25	2.5±0.5	18.1±3.6
3	M 8×1.25	1.3±0.2	9.4±1.45
4	M 8×1.25	4.3±0.2	31.1±1.45
5	M10×1.25	5.0±0.2	36.1±1.45

Item	Size	kgf · m	lbf · ft
6	M10×1.5	6.9±1.4	49.9±10.1
7	M12×1.75	12.8±3.0	92.6±21.7
8	M16×2.0	29.7±4.5	215±32.5
9	M20×2.5	57.9±8.7	419±62.9
10	-	1.8±0.1	13.0±0.7