

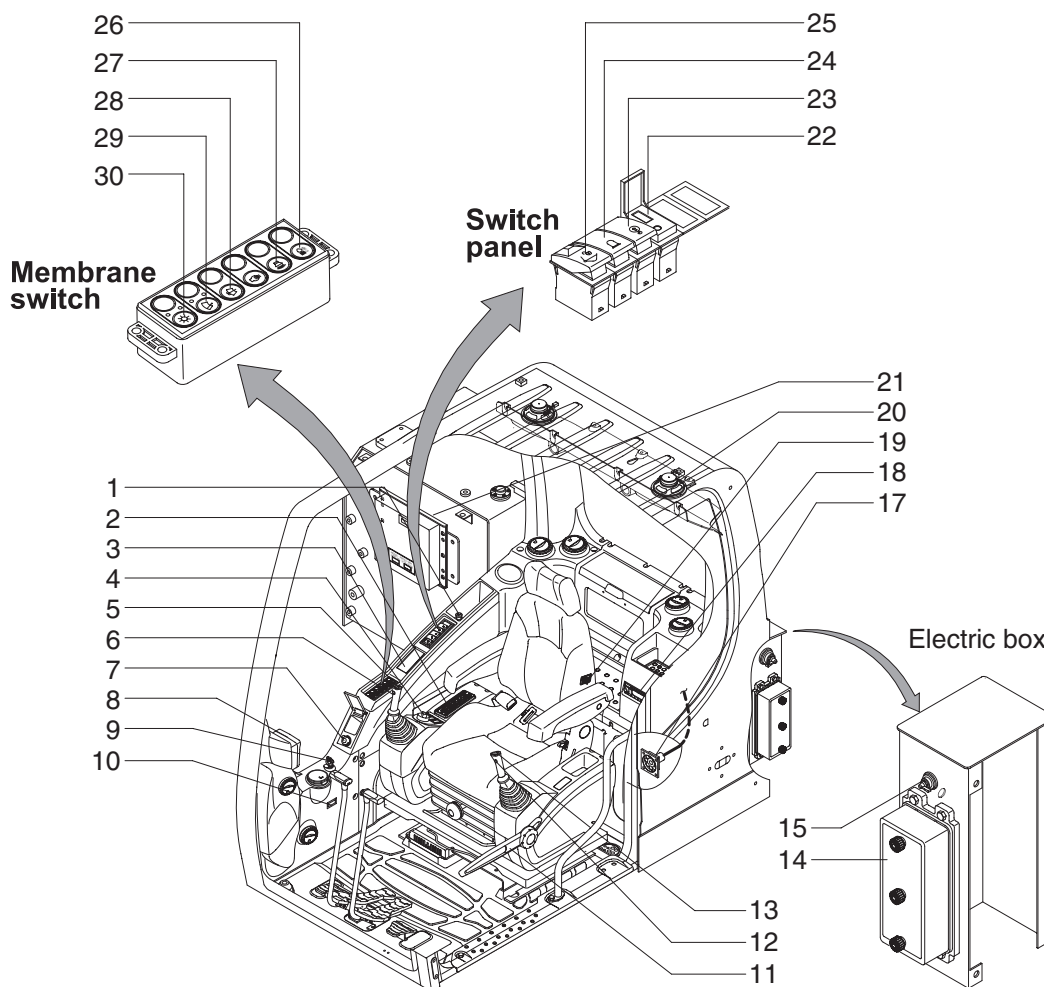
SECTION 4 ELECTRICAL SYSTEM

Group 1 Component Location	4-1
Group 2 Electrical Circuit	4-3
Group 3 Electrical Component Specification	4-38
Group 4 Connectors	4-46

SECTION 4 ELECTRICAL SYSTEM

GROUP 1 COMPONENT LOCATION

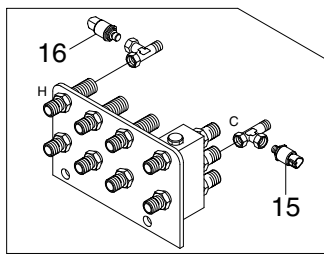
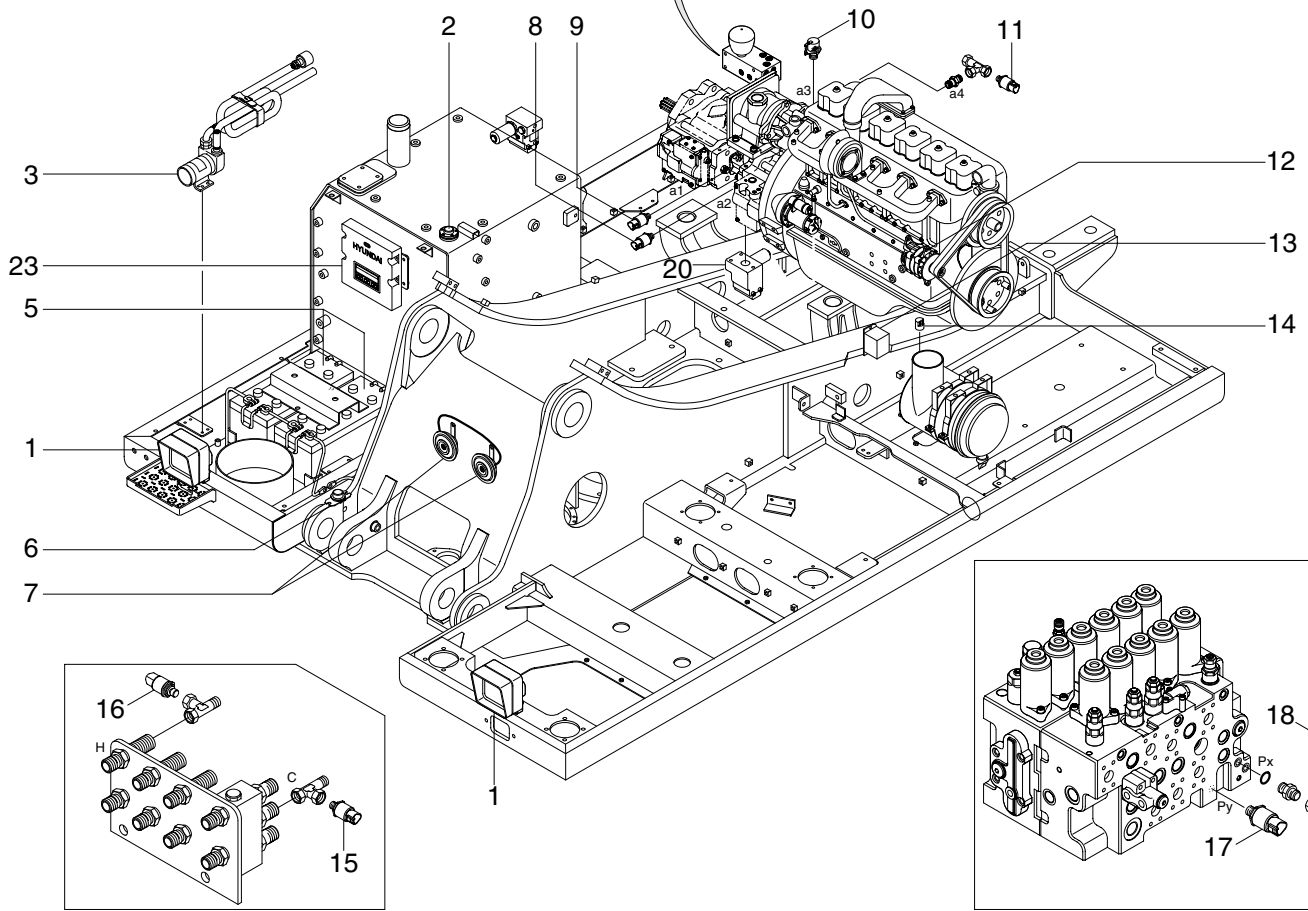
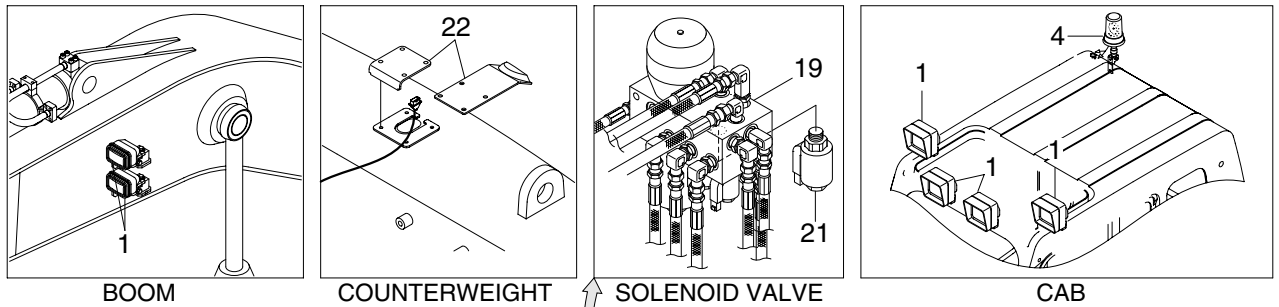
1. LOCATION 1



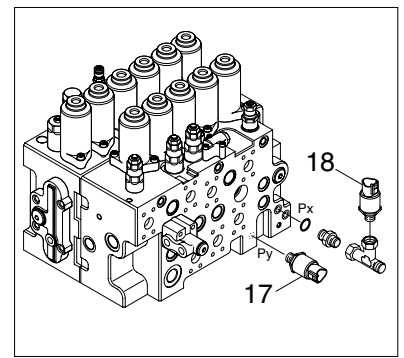
3309SH4EL01

- | | | |
|--------------------------------|---------------------------|------------------------|
| 1 Cigar light | 11 Safety lever | 22 USB socket |
| 2 Aircon & heater switch panel | 12 Power max switch | 23 Overload switch |
| 3 Accel dial switch | 13 One touch decel switch | 24 Beacon switch |
| 4 Horn switch | 14 Fuse box | 25 Quick clamp switch |
| 5 Breaker operation switch | 15 Master switch | 26 Cab light switch |
| 6 Air compressor switch | 17 RS232 service socket | 27 Travel alarm switch |
| 7 12V socket | 18 Radio & USB player | 28 Washer switch |
| 8 Cluster | 19 Heated seat switch | 29 Wiper switch |
| 9 Starting switch | 20 Speaker | 30 Main light switch |
| 10 Service meter | 21 MCU | |

2. LOCATION 2



SHUTTLE BLOCK



MAIN CONTROL VALVE

3309SH4EL02

- | | | |
|----------------------|----------------------------|------------------------------|
| 1 Lamp | 9 P2 pressure sensor | 17 Travel pressure sensor |
| 2 Fuel sender | 10 P3 pressure sensor | 18 Attach pressure sensor |
| 3 Fuel filler pump | 11 EPPR Pressure sensor | 19 Solenoid valve |
| 4 Beacon lamp | 12 Alternator | 20 Pump EPPR valve |
| 5 Battery | 13 Travel alarm buzzer | 21 Boom priority EPPR valve |
| 6 Battery relay | 14 Air cleaner switch | 22 Rear view camera kit |
| 7 Horn | 15 Swing pressure sensor | 23 MCU(machine control unit) |
| 8 P1 pressure sensor | 16 Boom up pressure sensor | |

※ Cluster type 1 only : 11, 15, 16