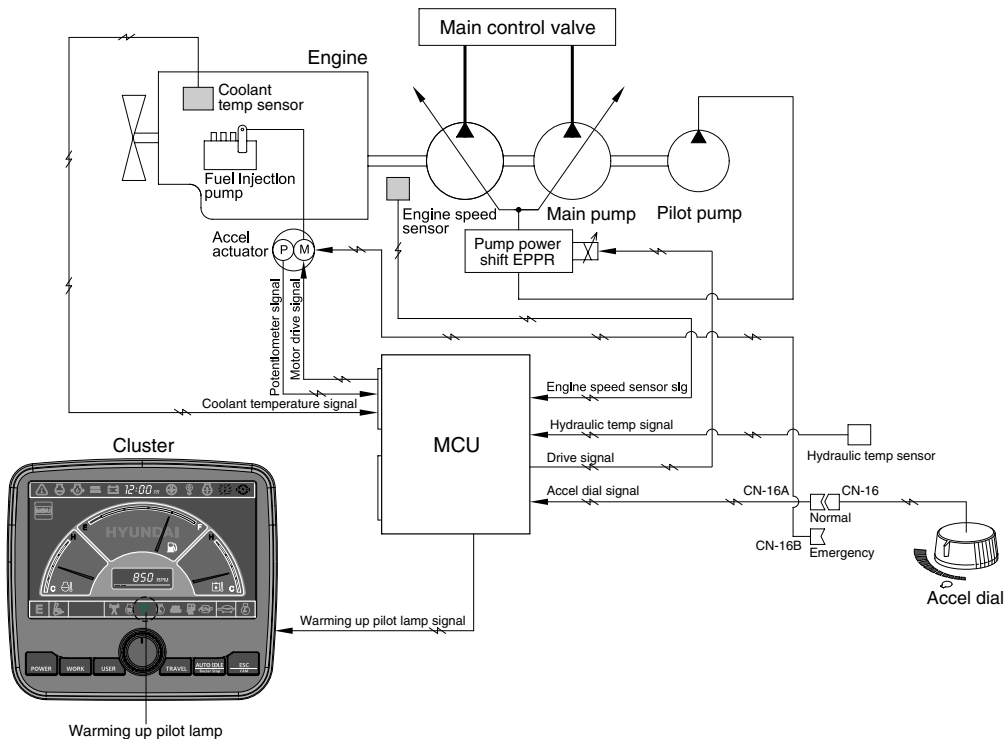


GROUP 6 AUTOMATIC WARMING UP SYSTEM (CLUSTER TYPE 1)



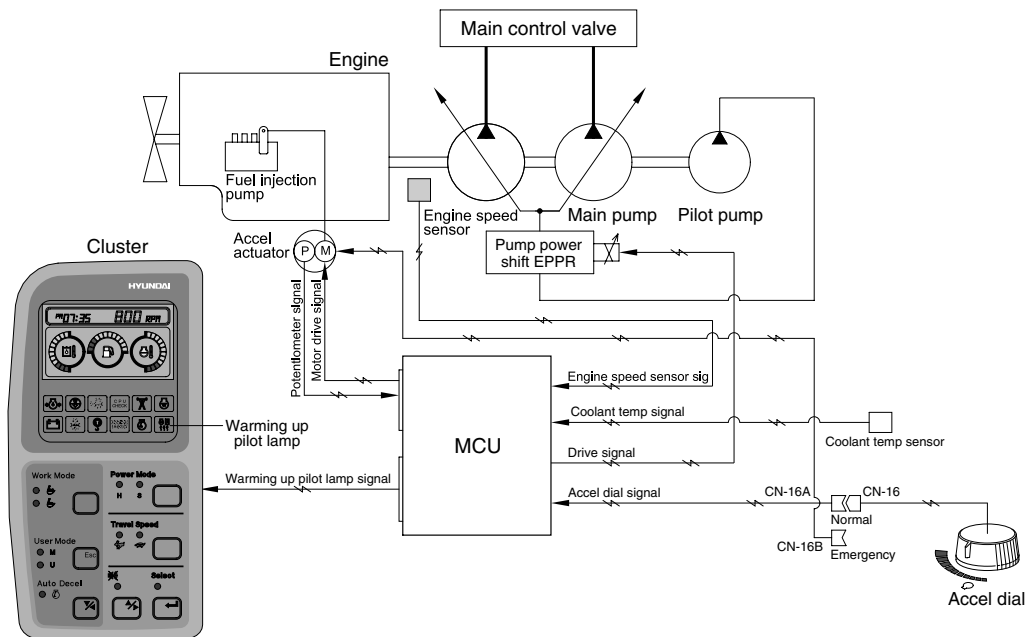
3009SH5MS08

1. The MCU reads engine coolant temperature through the temperature sensor, and if the coolant temperature is below 30°C, it increases the engine speed from key start rpm to 1150rpm. At this time the mode does not change. If the coolant temperature sensor has fault, the hydraulic oil temperature signal is substituted.
2. In case of the coolant temperature increases up to 30°C, the engine speed is decreased to key start speed. And if an operator changes power mode set during the warming up function, the MCU cancels the automatic warming up function.

3. LOGIC TABLE

| Description | Condition | Function |
|-------------|---|---|
| Actuated | - Coolant temperature : below 30°C (after engine run) | - Power mode : Default (E mode) - Warming up time : 10 minutes (max) - Warming up pilot lamp : ON |
| Canceled | - Coolant temperature : Above 30°C - Warming up time : Above 10 minutes - Changed power mode set by operator - RCV lever or pedal operating - Auto idle cancel ※ If any of the above conditions is applicable, the automatic warming up function is canceled | - Power mode : set mode - Warming up pilot lamp : OFF |

■ AUTOMATIC WARMING UP SYSTEM (CLUSTER TYPE 2)



3009SH5MS26

1. The MCU reads engine coolant temperature through the temperature sensor, and if the coolant temperature is below 30°C, it increases the engine speed from key start rpm to 1150rpm. At this time the mode does not change.
2. In case of the coolant temperature increases up to 30°C, the engine speed is decreased to key start speed. And if an operator changes mode set during the warming up function, the MCU cancels the automatic warming up function.

3. LOGIC TABLE

| Description | Condition | Function |
|-----------------|---|---|
| Actuated | <ul style="list-style-type: none"> - Coolant temperature : below 30°C (after engine run) - Accel dial position is under 30°C | <ul style="list-style-type: none"> - Power mode : Default (S mode) - Warming up time : 10 minutes (max) - Warming up lamp : ON |
| Canceled | <ul style="list-style-type: none"> - Coolant temperature : Above 30°C - Warming up time : Above 10 minutes - Changed mode set by operator - Increase engine speed by rotating accel dial clockwise <p>※ If any of the above conditions is applicable, the automatic warming up function is canceled</p> | <ul style="list-style-type: none"> - Power mode : set mode - Warming up pilot lamp : OFF |
| Warming up lamp | <ul style="list-style-type: none"> - Coolant temperature : Above 30°C | <ul style="list-style-type: none"> - Warming up lamp : OFF |