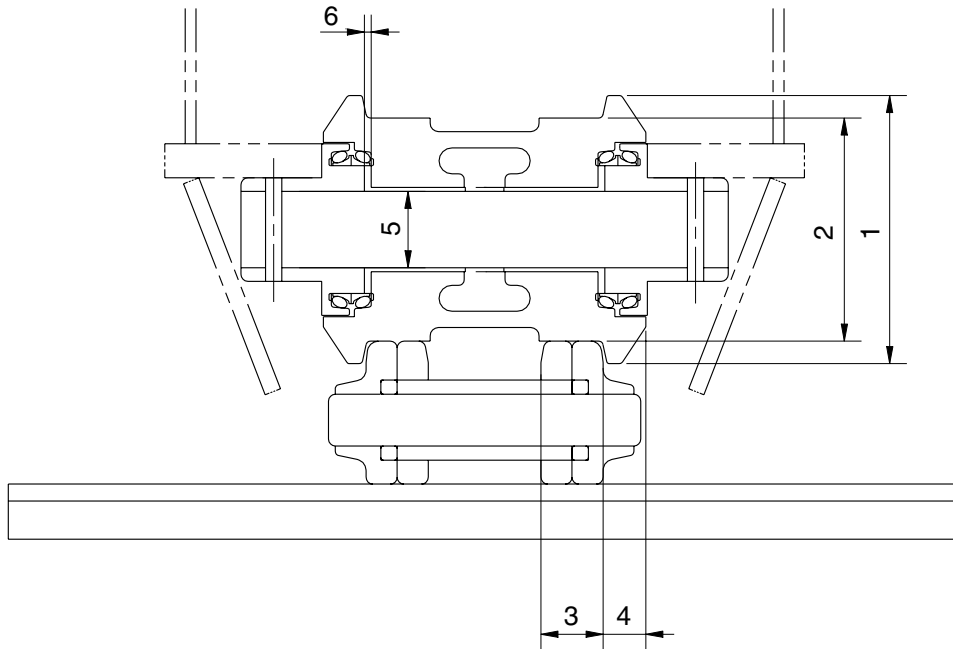


## GROUP 3 TRACK AND WORK EQUIPMENT

### 1. TRACK

#### 1) TRACK ROLLER

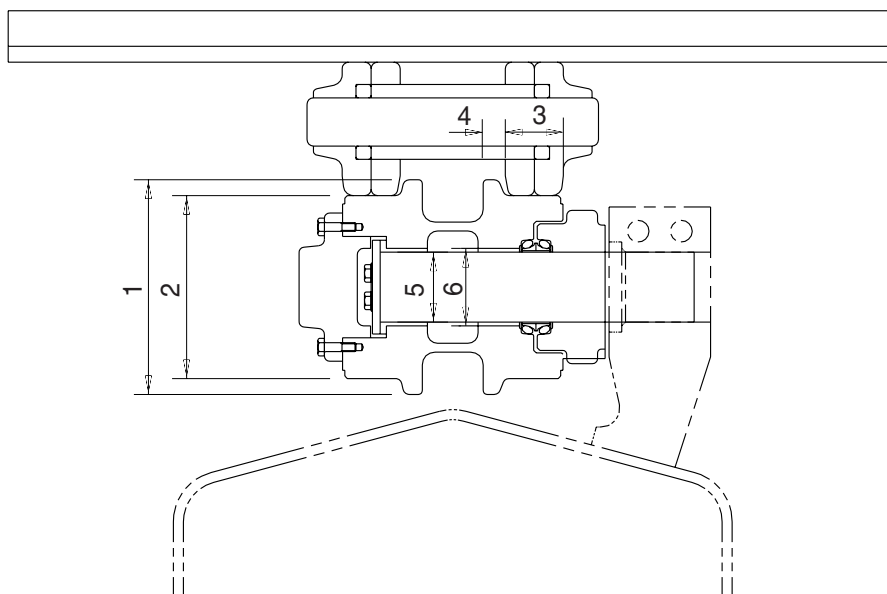


21037MS01

Unit : mm

No.	Check item	Criteria				Remedy
		Standard size		Repair limit		
1	Outside diameter of flange	Ø216		-		Rebuild or replace
2	Outside diameter of tread	Ø180		Ø168		
3	Width of tread	50		56		
4	Width of flange	57		21		
5	Clearance between shaft and bushing	Standard size & tolerance		Standard clearance	Clearance limit	Replace bushing
		Shaft	Hole			
		Ø75 <sup>0</sup> <sub>-0.03</sub>	Ø75.35 <sup>+0.05</sup> <sub>0</sub>	0.35 to 0.40	2.0	
6	Side clearance of roller (both side)	Standard clearance		Clearance limit		Replace
		0.16~1.24		2.0		

## 2) CARRIER ROLLER

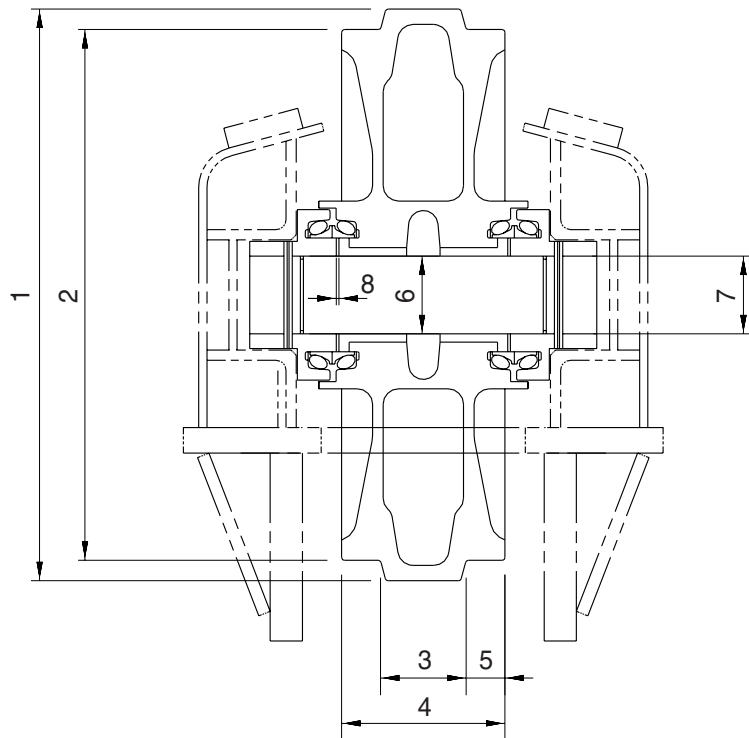


32037MA37

Unit : mm

No.	Check item	Criteria				Remedy
		Standard size		Repair limit		
1	Outside diameter of flange	Ø200		-		Rebuild or replace
2	Outside diameter of tread	Ø168		Ø158		
3	Width of tread	54		59		
4	Width of flange	19		-		
5	Clearance between shaft and bushing	Standard size & tolerance		Standard clearance	Clearance limit	Replace bushing
		Shaft	Hole			
		Ø55 $\begin{matrix} +0.085 \\ +0.066 \end{matrix}$	Ø55 $\begin{matrix} +0.37 \\ +0.33 \end{matrix}$			
6	Clearance between shaft and support	Ø58 $\begin{matrix} 0 \\ -0.1 \end{matrix}$	Ø58 $\begin{matrix} +0.5 \\ +0.3 \end{matrix}$	0.3 to 0.6	1.2	Replace

### 3) IDLER

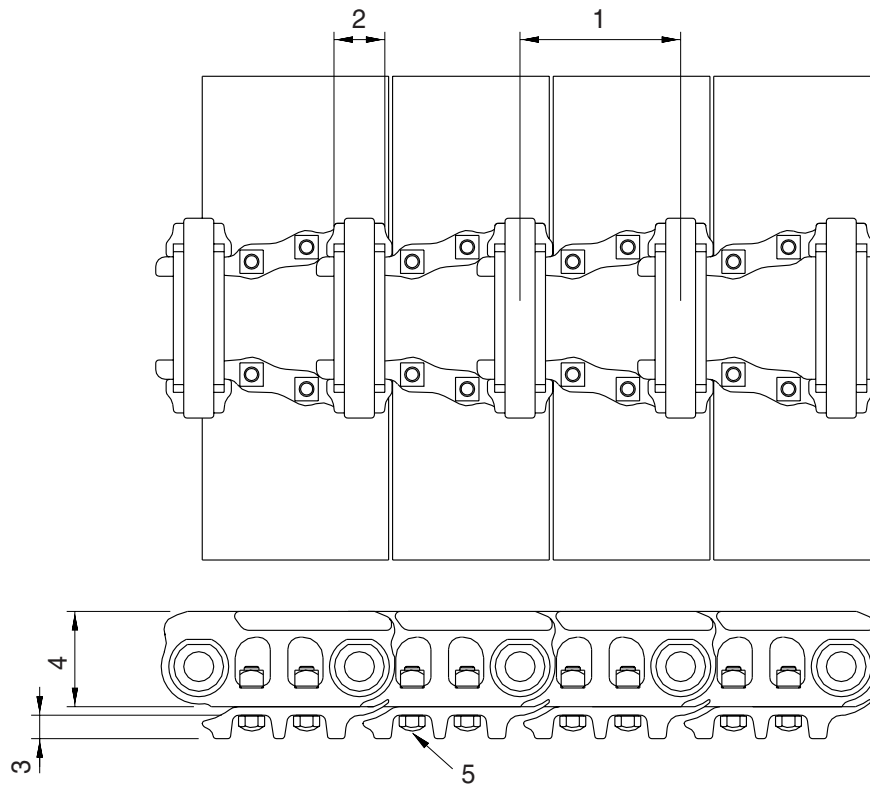


21037MS03

Unit : mm

No.	Check item	Criteria		Remedy		
		Standard size	Repair limit			
1	Outside diameter of protrusion	Ø646	Ø636	Rebuild or replace		
2	Outside diameter of tread	Ø594	Ø588			
3	Width of protrusion	102	92			
4	Total width	203	—			
5	Width of tread	50.5	56.5			
6	Clearance between shaft and bushing	Standard size & tolerance		Standard clearance	Clearance limit	Replace bushing
		Shaft	Hole			
		Ø90 <sup>0</sup> <sub>-0.035</sub>	Ø90.35 <sup>+0.05</sup> <sub>0</sub>	0.35 to 0.435	2.0	
7	Clearance between shaft and support	Ø90 <sup>0</sup> <sub>-0.035</sub>	Ø90 <sup>+0.09</sup> <sub>+0.036</sub>	0.036 to 0.125	1.2	Replace
8	Side clearance of idler (both side)	Standard clearance 0.4 to 1.2		Clearance limit 2.0		Replace

#### 4) TRACK

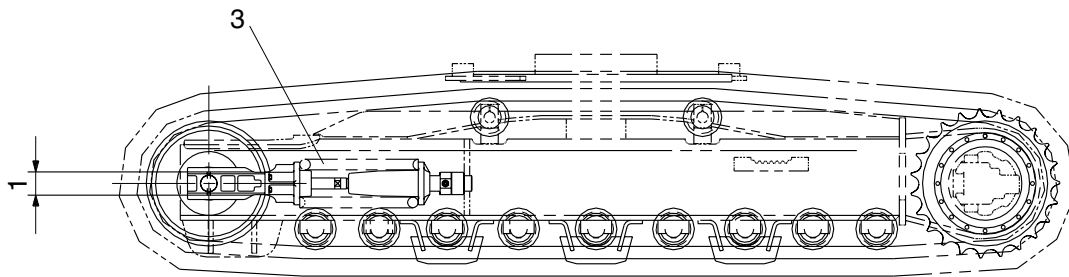
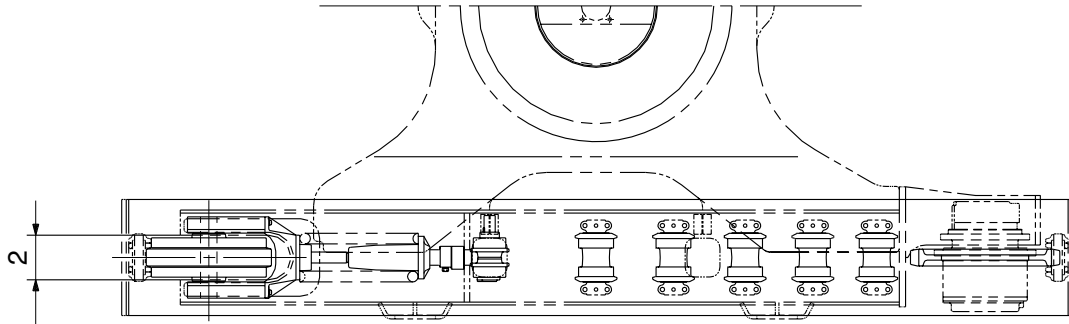


21037MS04

Unit : mm

No.	Check item	Criteria		Remedy
		Standard size	Repair limit	
1	Link pitch	216	223	Turn or replace
2	Outside diameter of bushing	Ø66.5	Ø58.5	Rebuild or replace
3	Height of grouser	30	21	
4	Height of link	116	104	
5	Tightening torque	Initial tightening torque : $115 \pm 5$ kgf · m		Retighten

## 5) TRACK FRAME AND RECOIL SPRING

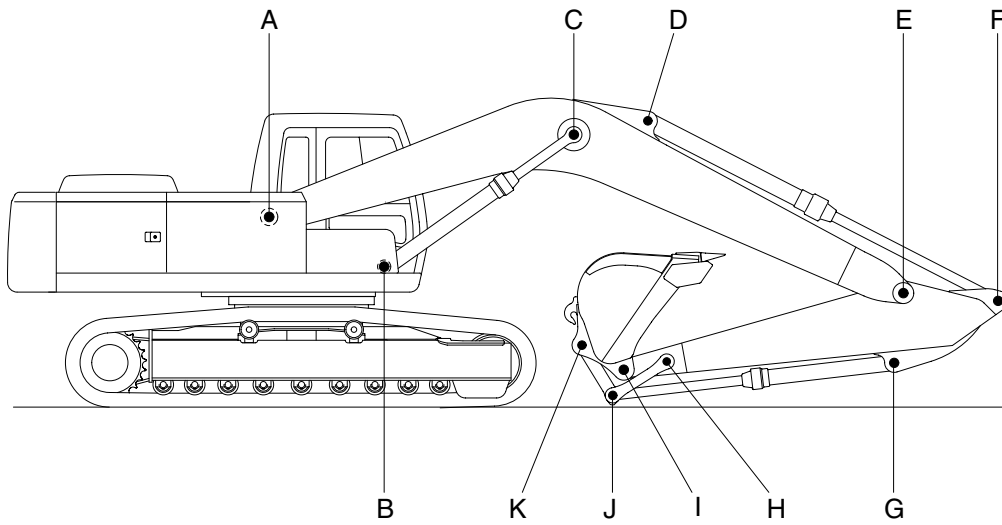


21037MS05

Unit : mm

No.	Check item	Criteria				Remedy	
			Standard size	Tolerance	Repair limit		
1	Vertical width of idler guide	Track frame	132	+2 0	138	Rebuild or replace	
		Idler support	130	0 -1.5	124		
2	Horizontal width of idler guide	Track frame	292	+2 0	298		
		Idler support	290	-	286		
3	Recoil spring	Standard size		Repair limit		Replace	
		Free length	Installation length	Installation load	Free length		Installation load
		∅253×710	580	19012 kg	-		15210 kg

## 2. WORK EQUIPMENT



21077MS20

Unit : mm

Mark	Measuring point (Pin and Bushing)	Normal value	Pin		Bushing		Remedy & Remark
			Recomm. service limit	Limit of use	Recomm. service limit	Limit of use	
A	Boom Rear	110	109	108.5	110.5	111	Replace
B	Boom Cylinder Head	100	99	98.5	100.5	101	"
C	Boom Cylinder Rod	100	99	98.5	100.5	101	"
D	Arm Cylinder Head	100	99	98.5	100.5	101	"
E	Boom Front	100	99	98.5	100.5	101	"
F	Arm Cylinder Rod	100	99	98.5	100.5	101	"
G	Bucket Cylinder Head	90	89	88.5	90.5	91	"
H	Arm Link	90	89	88.5	90.5	91	"
I	Bucket and Arm Link	100	99	98.5	100.5	101	"
J	Bucket Cylinder Rod	90	89	88.5	90.5	91	"
K	Bucket Link	100	99	98	100.5	101	"