

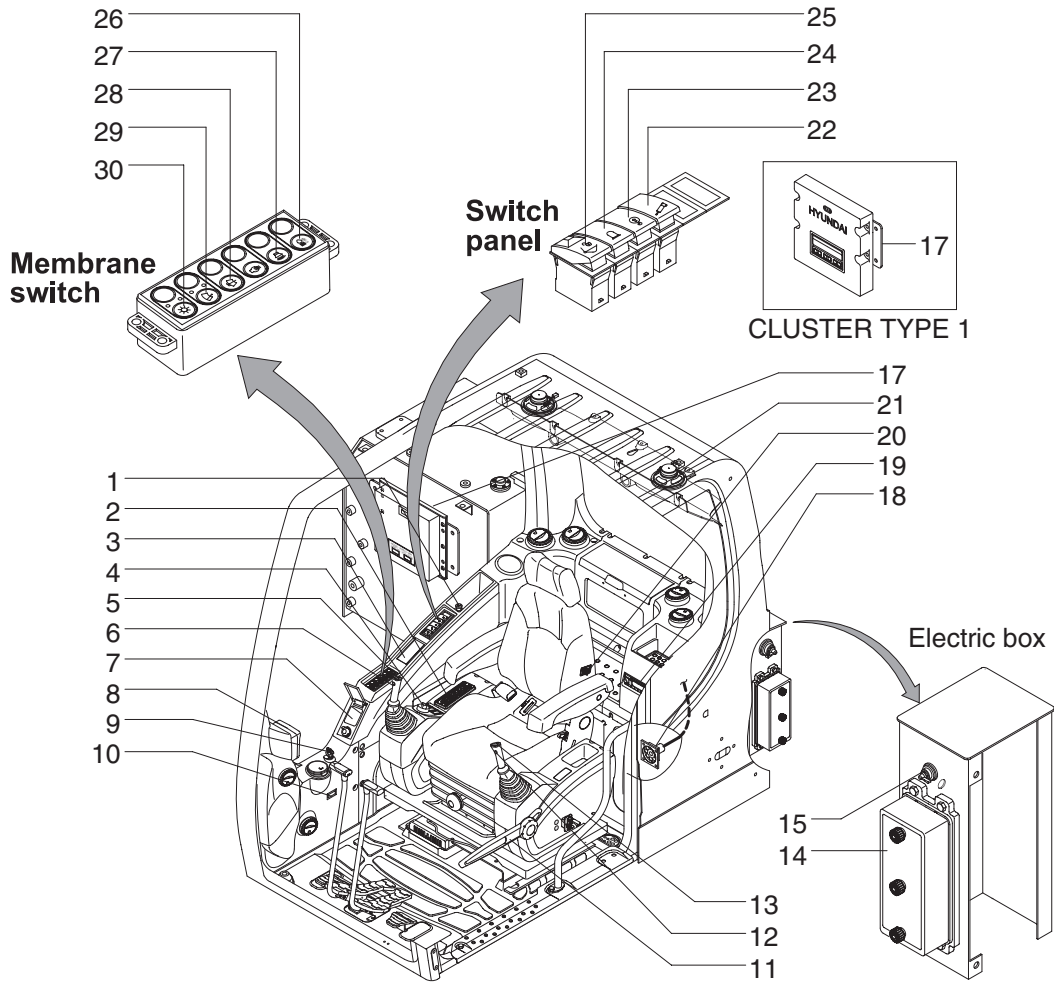
SECTION 4 ELECTRICAL SYSTEM

Group 1 Component Location	4-1
Group 2 Electrical Circuit	4-3
Group 3 Electrical Component Specification	4-38
Group 4 Connectors	4-46

SECTION 4 ELECTRICAL SYSTEM

GROUP 1 COMPONENT LOCATION

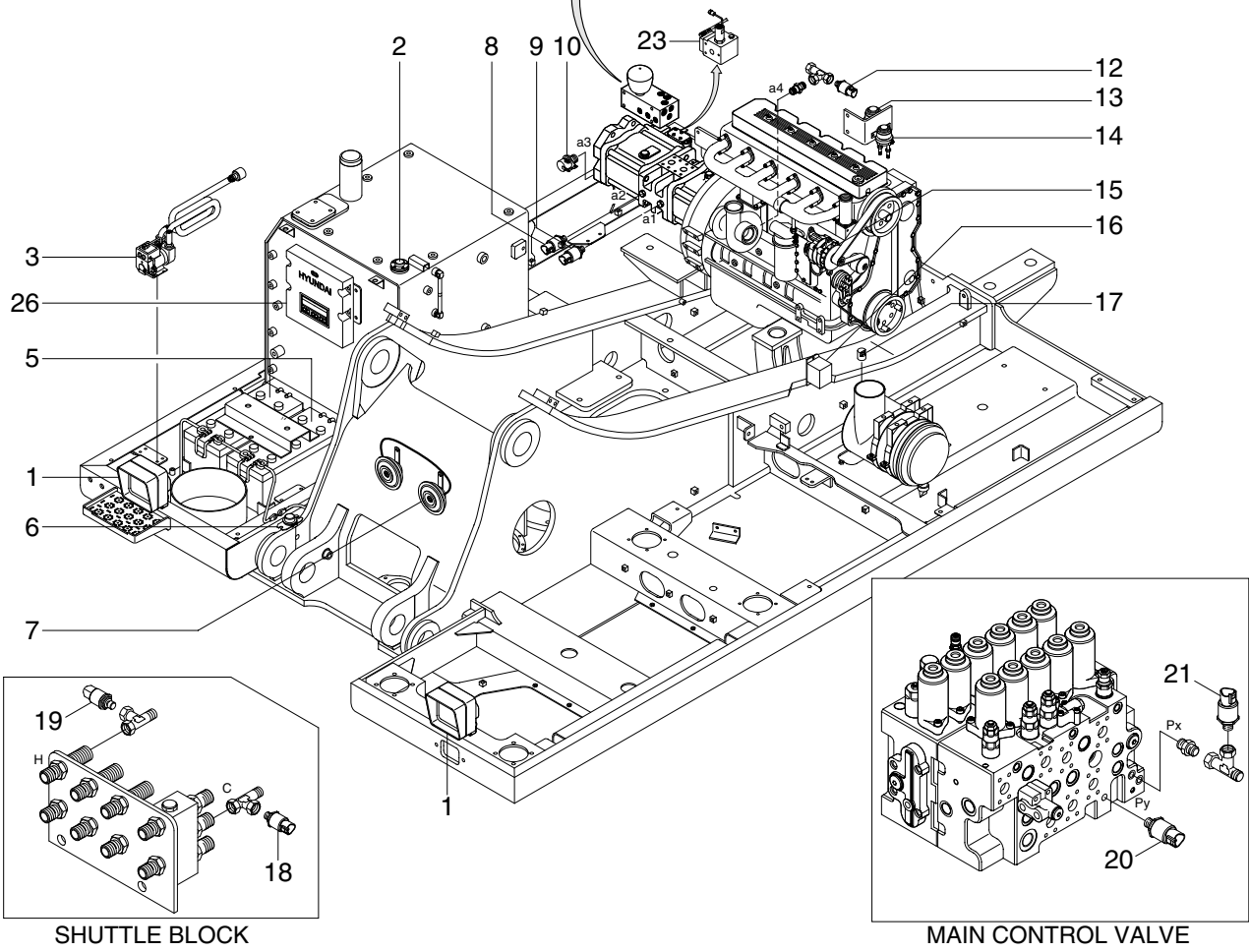
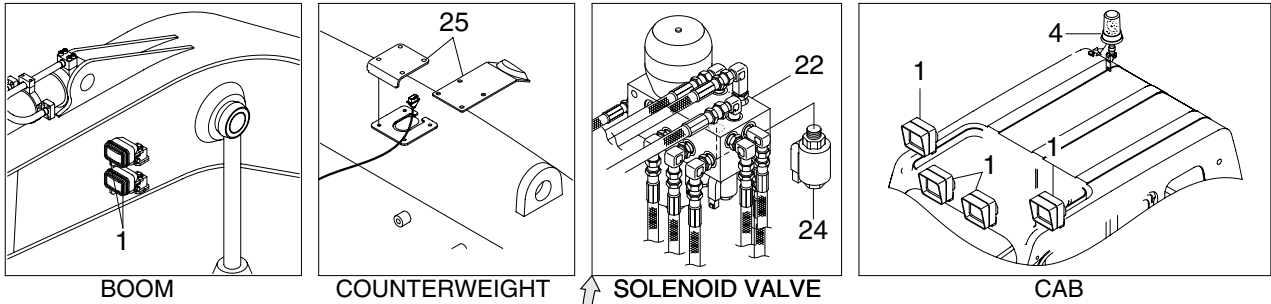
1. LOCATION 1



3309S4EL01

- | | | |
|--------------------------------|---------------------------------|------------------------|
| 1 Cigar light | 11 Power max switch | 22 USB socket |
| 2 Aircon & heater switch panel | 12 Emergency engine stop switch | 23 Overload switch |
| 3 Accel dial switch | 13 One touch decel switch | 24 Beacon switch |
| 4 Horn switch | 14 Fuse box | 25 Quick clamp switch |
| 5 Breaker operation switch | 15 Master switch | 26 Cab light switch |
| 6 Air compressor switch | 17 RS232 service socket | 27 Travel alarm switch |
| 7 Starting switch | 18 Radio & USB player | 28 Washer switch |
| 8 Cluster | 19 Heated seat switch | 29 Wiper switch |
| 9 Service meter | 20 Speaker | 30 Main light switch |
| 10 Safety lever | 21 MCU | |

2. LOCATION 2



3309S4EL02

- | | | |
|----------------------|----------------------------|------------------------------|
| 1 Lamp | 10 P3 pressure sensor | 20 Travel pressure sensor |
| 2 Fuel sender | 12 EPPR Pressure sensor | 21 Attach pressure sensor |
| 3 Fuel filler pump | 13 Start relay | 22 Solenoid valve |
| 4 Beacon lamp | 14 Heater relay | 23 Pump EPPR valve |
| 5 Battery | 15 Alternator | 24 Boom priority EPPR valve |
| 6 Battery relay | 16 Travel alarm buzzer | 25 Rear view camera kit |
| 7 Horn | 17 Air cleaner switch | 26 MCU(machine control unit) |
| 8 P1 pressure sensor | 18 Swing pressure sensor | |
| 9 P2 pressure sensor | 19 Boom up pressure sensor | |

※ Cluster type 1 only : 10, 12, 18, 19