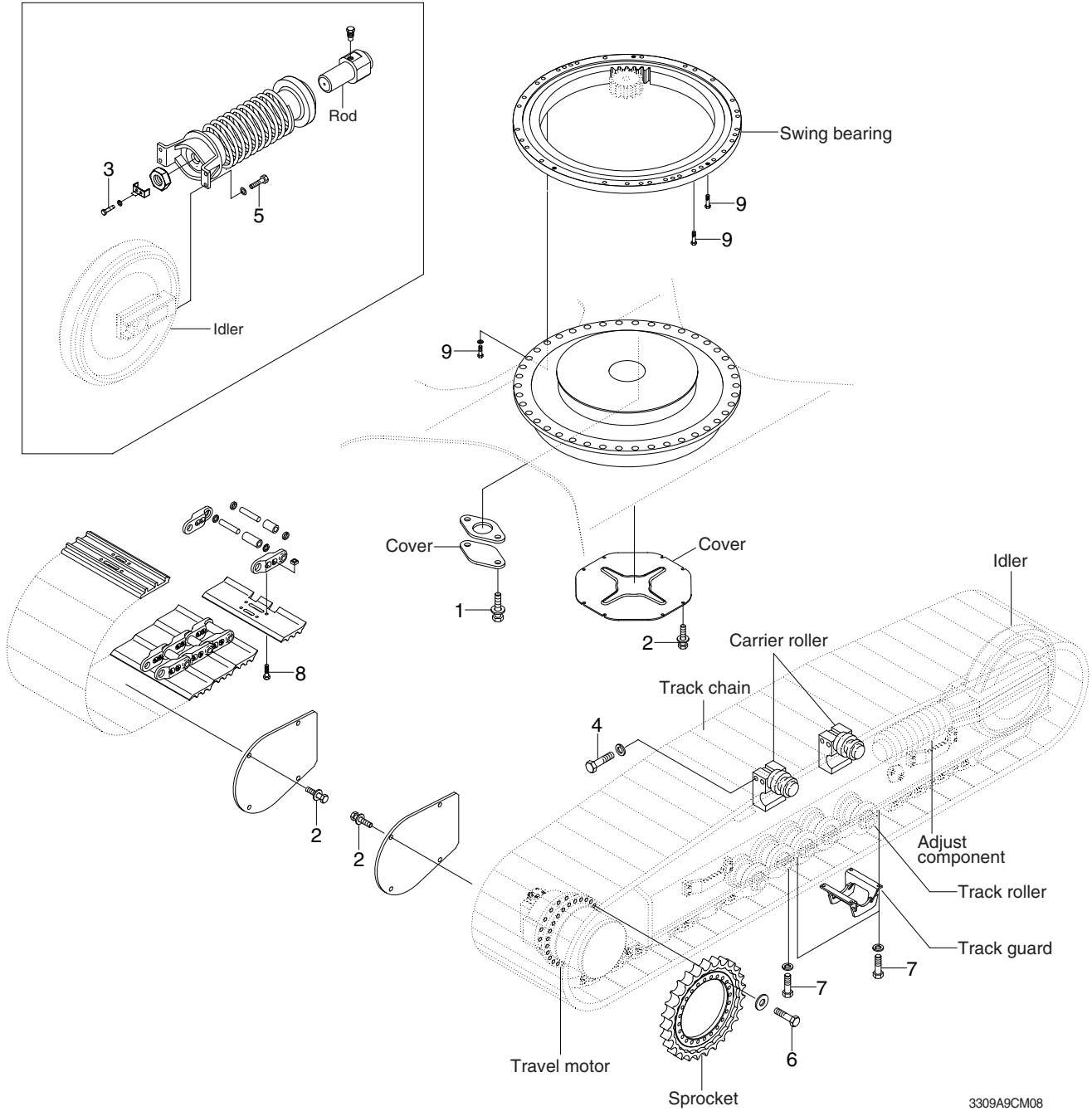


# GROUP 5 UNDERCARRIAGE

## UNDERCARRIAGE MOUNTING

### ADJUST COMPONENT



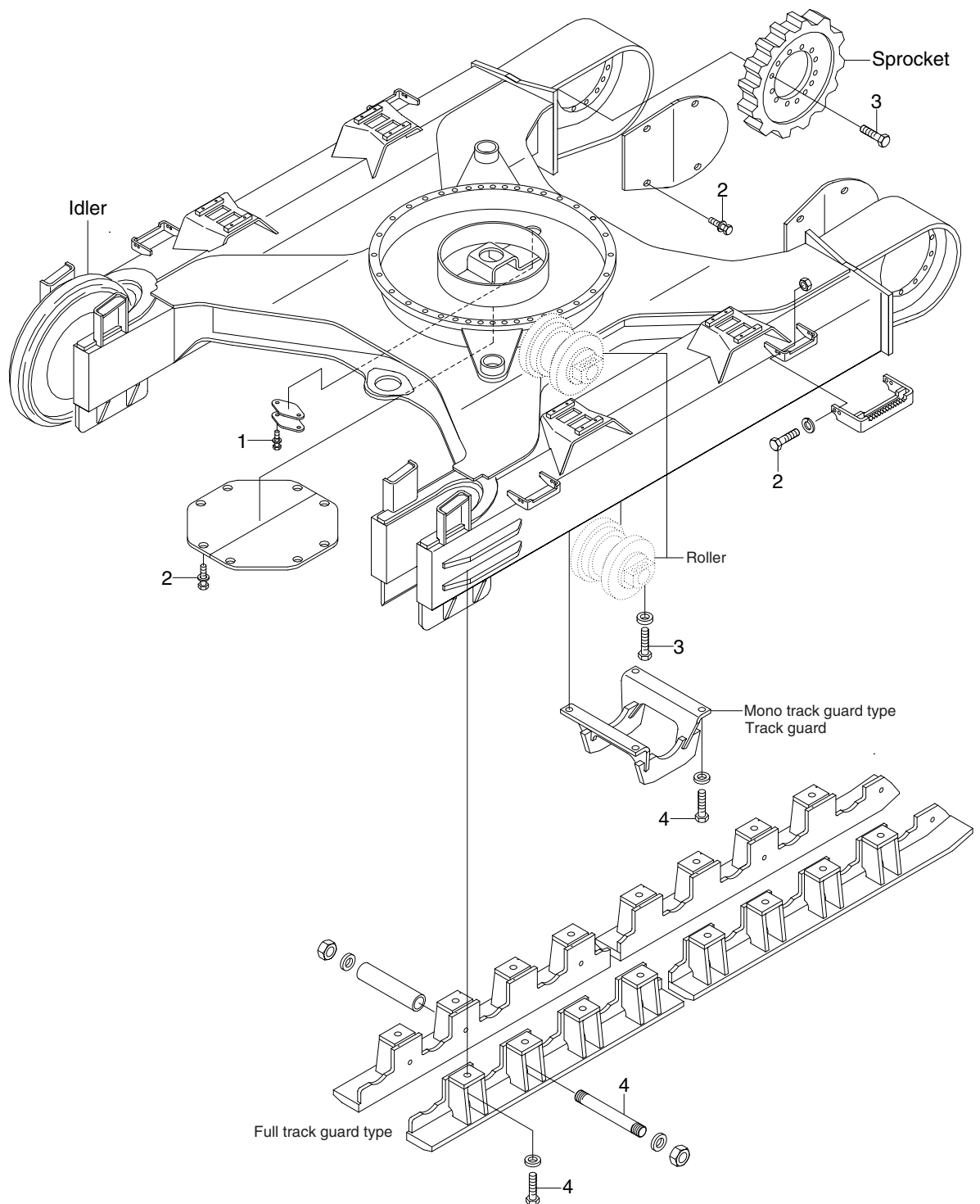
3309A9CM08

### · Tightening torque

Item	Size	kgf · m	lbf · ft
1	M10×1.5	6.9±1.4	49.9±10.1
2	M12×1.75	12.8±3.0	92.6±21.7
3	M12×1.75	15±0.5	108±3.6
4	M16×2.0	29.7±3.0	215±21.7
5	M16×1.5	31.3±4.7	226±34

Item	Size	kgf · m	lbf · ft
6	M20×2.5	57±6.0	412±43.3
7	M20×2.5	57.9±6.0	419±43.3
8	M22×1.5	123±6.0	890±43.4
9	M24×3.0	100±10	723±72.3
-	-	-	-

# UNDERCARRIAGE MOUNTING (HIGH WALKER)



3309A9CM14

## · Tightening torque

Item	Size	kgf · m	lbf · ft
1	M10×1.5	6.9±1.4	49.9±10.1
2	M12×1.75	12.2±1.3	88.2±9.4

Item	Size	kgf · m	lbf · ft
3	M20×2.5	57.9±6.0	419±43.3
4	M24×3.0	100±15	723±108