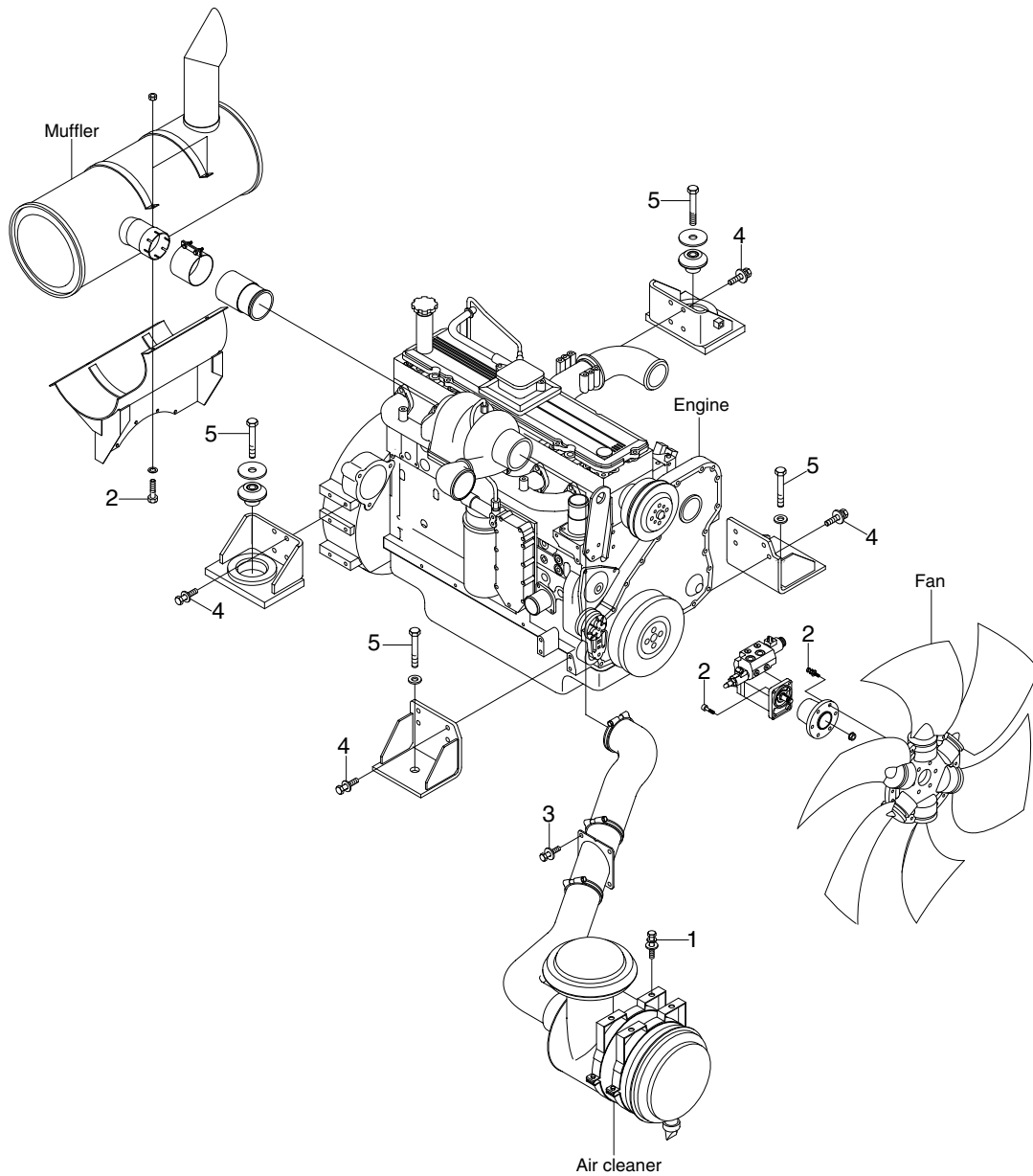


## GROUP 2 ENGINE SYSTEM

### ENGINE AND ACCESSORIES MOUNTING



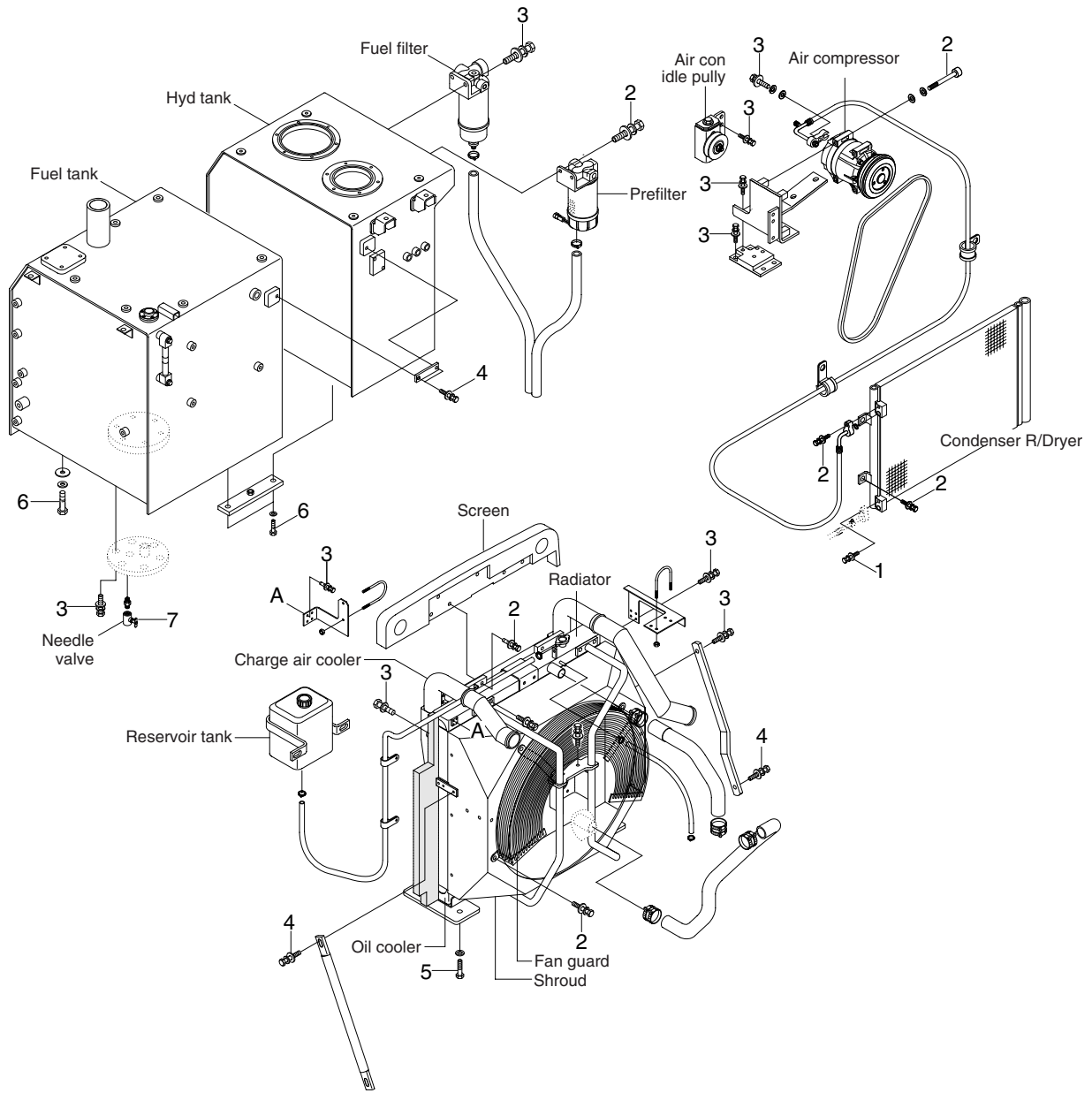
32099CM01

#### · Tightening torque

Item	Size	kgf · m	lbf · ft
1	M 8×1.25	2.5±0.5	18.1±3.6
2	M10×1.5	6.9±1.4	49.9±10.1
3	M12×1.75	10.0±2.0	72.3±14.5

Item	Size	kgf · m	lbf · ft
4	M12×1.75	12.8±3.0	92.6±21.7
5	M24×3.0	90±7.0	651±51
-	-	-	-

# COOLING SYSTEM AND FUEL TANK MOUNTING



32099CM02

## · Tightening torque

Item	Size	kgf · m	lbf · ft
1	M 6 × 1.0	0.5 ± 0.2	3.6 ± 1.45
2	M 8 × 1.25	2.5 ± 0.5	18.1 ± 3.6
3	M 10 × 1.25	6.9 ± 1.4	49.4 ± 10.1
4	M 12 × 1.75	12.8 ± 3.0	92.6 ± 21.7

Item	Size	kgf · m	lbf · ft
5	M 16 × 2.0	29.7 ± 4.5	215 ± 32.5
6	M 20 × 2.5	46 ± 5.1	333 ± 36.9
7	-	2.3 ± 0.6	16.6 ± 4.3
-	-	-	-