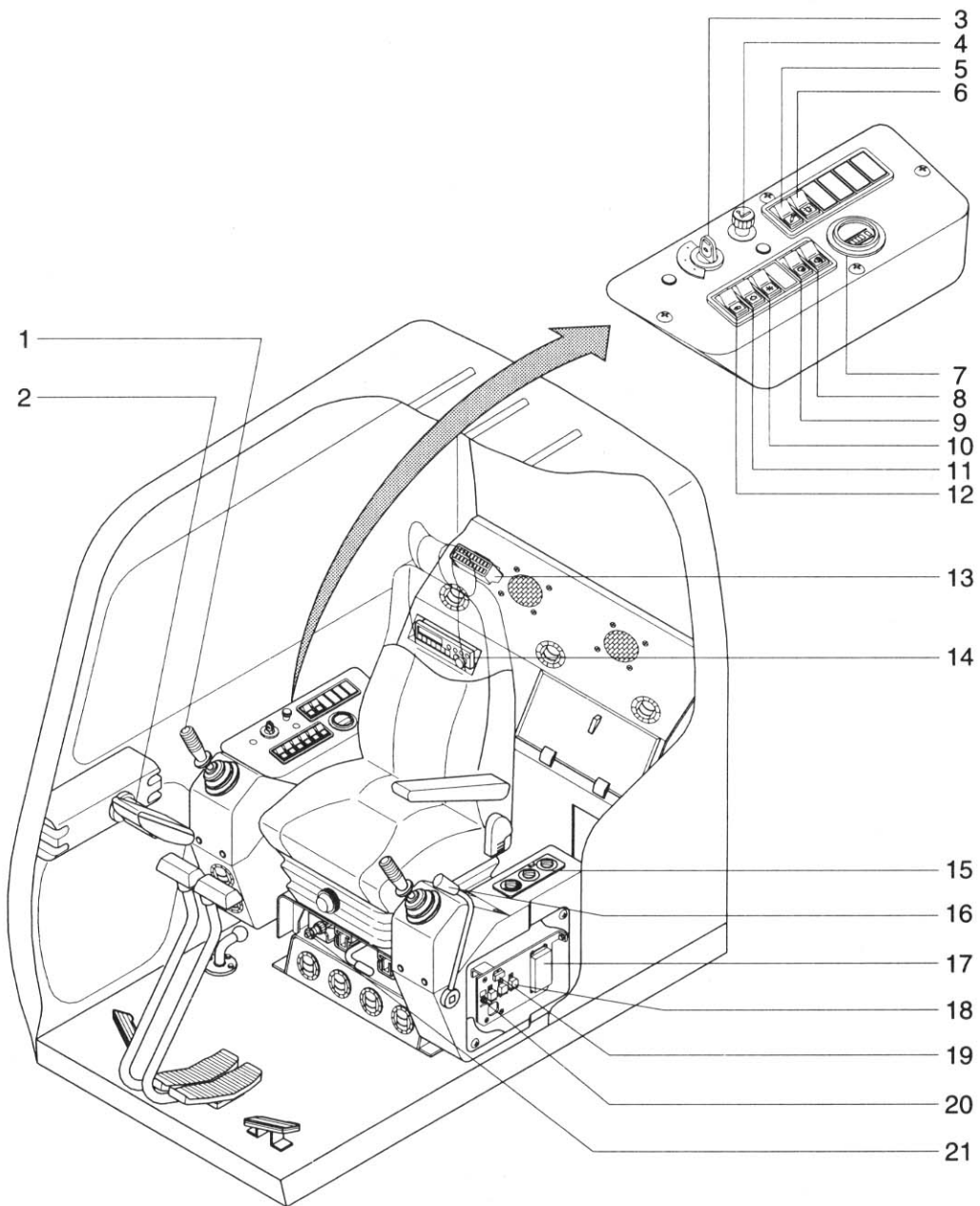


SECTION 4 ELECTRICAL SYSTEM

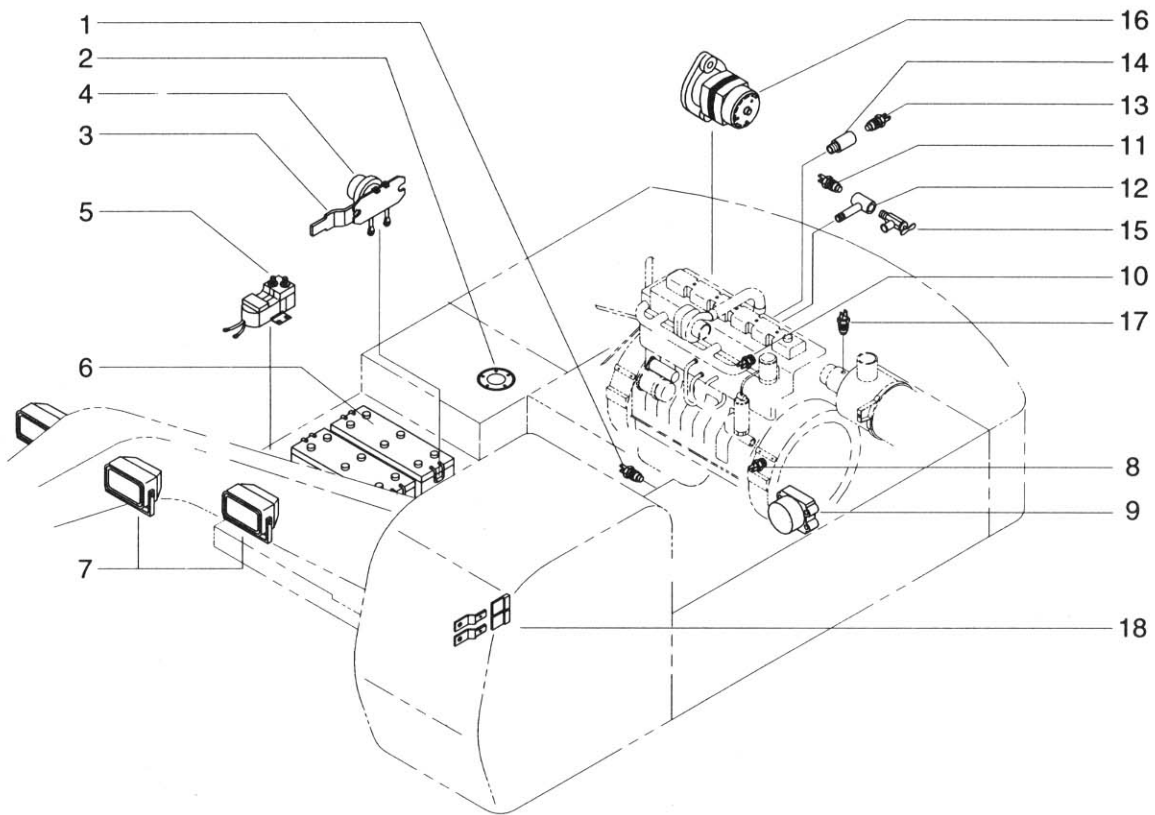
GROUP 1 COMPONENT LOCATION

1. LOCATION 1



- | | | | | | |
|---|------------------------|----|-----------------------------|----|----------------------------|
| 1 | Horn switch | 8 | Travel alarm switch(option) | 15 | Aircon & heater switch |
| 2 | Cluster | 9 | Cold start switch(option) | 16 | Safety lever |
| 3 | Starting switch | 10 | Aircon switch | 17 | CPU controller |
| 4 | Cigar lighter switch | 11 | Main light switch | 18 | Relay |
| 5 | Breaker switch(option) | 12 | Wiper & washer switch | 19 | Resistor |
| 6 | Beacon switch(option) | 13 | Fuse box | 20 | Prolix switch |
| 7 | Service meter | 14 | Cassette & radio | 21 | Emergency engine acc lever |

2. LOCATION 2



- | | | | | | |
|---|------------------------|----|----------------------------|----|-------------------------|
| 1 | Hyd temperature sender | 7 | Light | 13 | Overheat switch |
| 2 | Fuel sender | 8 | Engine speed sensor | 14 | Oil temperature adapter |
| 3 | Connector plate | 9 | Governor motor | 15 | Heater valve |
| 4 | Battery relay | 10 | Engine oil pressure switch | 16 | Alternator |
| 5 | Fuel filler pump | 11 | Coolant temperature sender | 17 | Air cleaner switch |
| 6 | Battery | 12 | Heater adapter | 18 | Connector plate |