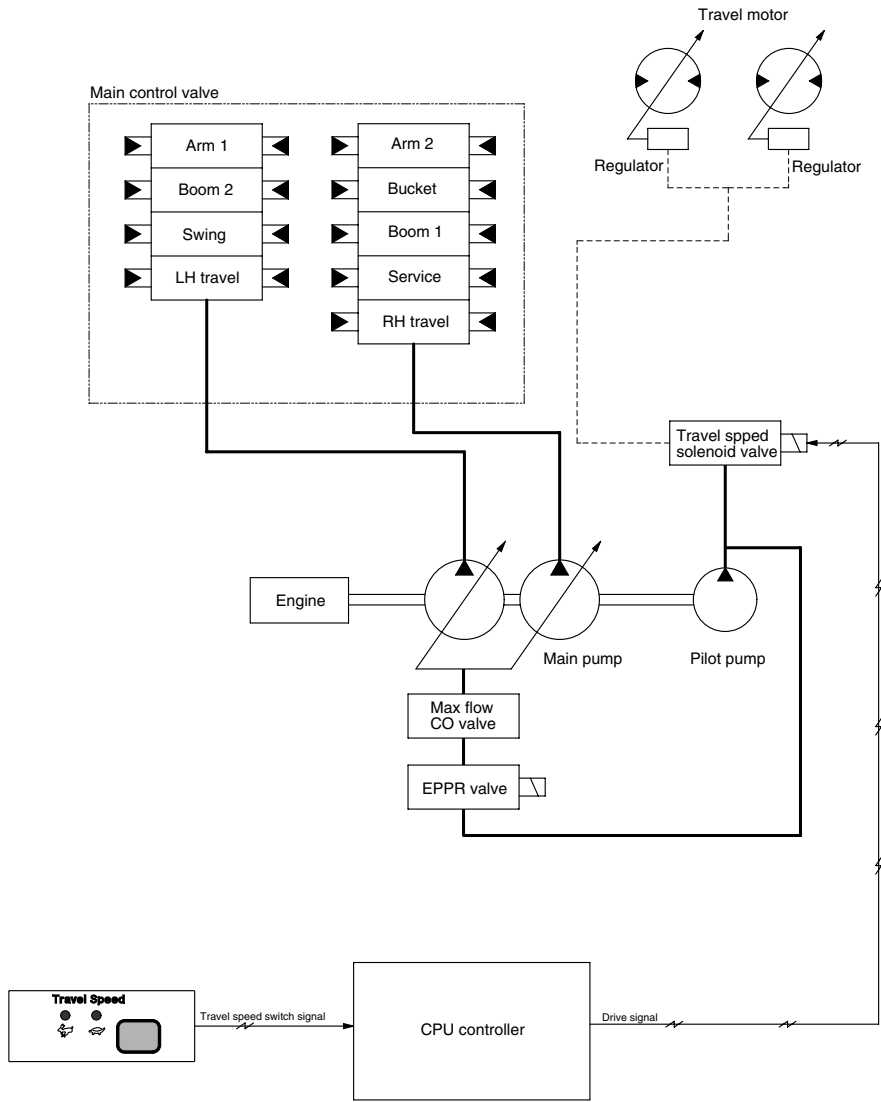


GROUP 5 TRAVEL SPEED CONTROL SYSTEM



21075MS07

Travel speed can be switched manually by pressing the travel speed switch on the cluster.

| Speed | Travel speed solenoid valve | Lamp on cluster | Operation |
|-------|-----------------------------|-----------------|--|
| Lo | OFF | Turtle | Low speed, high driving torque in the travel motor |
| Hi | ON | Rabbit | High speed, low driving torque in the travel motor |

※ Default : Turtle(Lo)