

GROUP 6 TRAVEL DEVICE

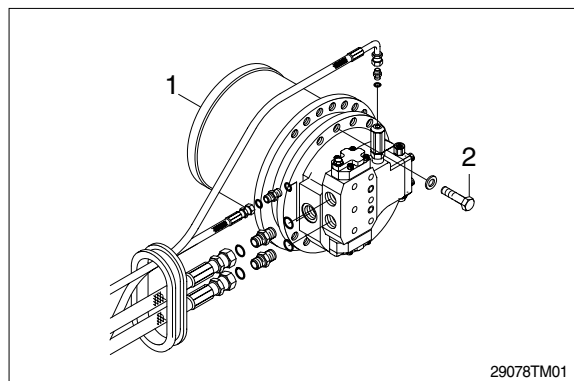
1. REMOVAL AND INSTALL

1) REMOVAL

- (1) Swing the work equipment 90° and lower it completely to the ground.
- (2) Operate the control levers and pedals several times to release the remaining pressure in the hydraulic piping.
- (3) Loosen the breather slowly to release the pressure inside the hydraulic tank.

▲ Escaping fluid under pressure can penetrate the skin causing serious injury.

- ※ When pipes and hoses are disconnected, the oil inside the piping will flow out, so catch it in oil pan.
- (4) Remove the track shoe assembly.
For details, see **removal of track shoe assembly**.
 - (5) Remove the cover.
 - (6) Remove the hose.
 - ※ Fit blind plugs to the disconnected hoses.
 - (7) Remove the bolts and the sprocket.
 - (8) Sling travel device assembly(1).
 - (9) Remove the mounting bolts(2), then remove the travel device assembly.
 - Weight : 305kg(670lb)

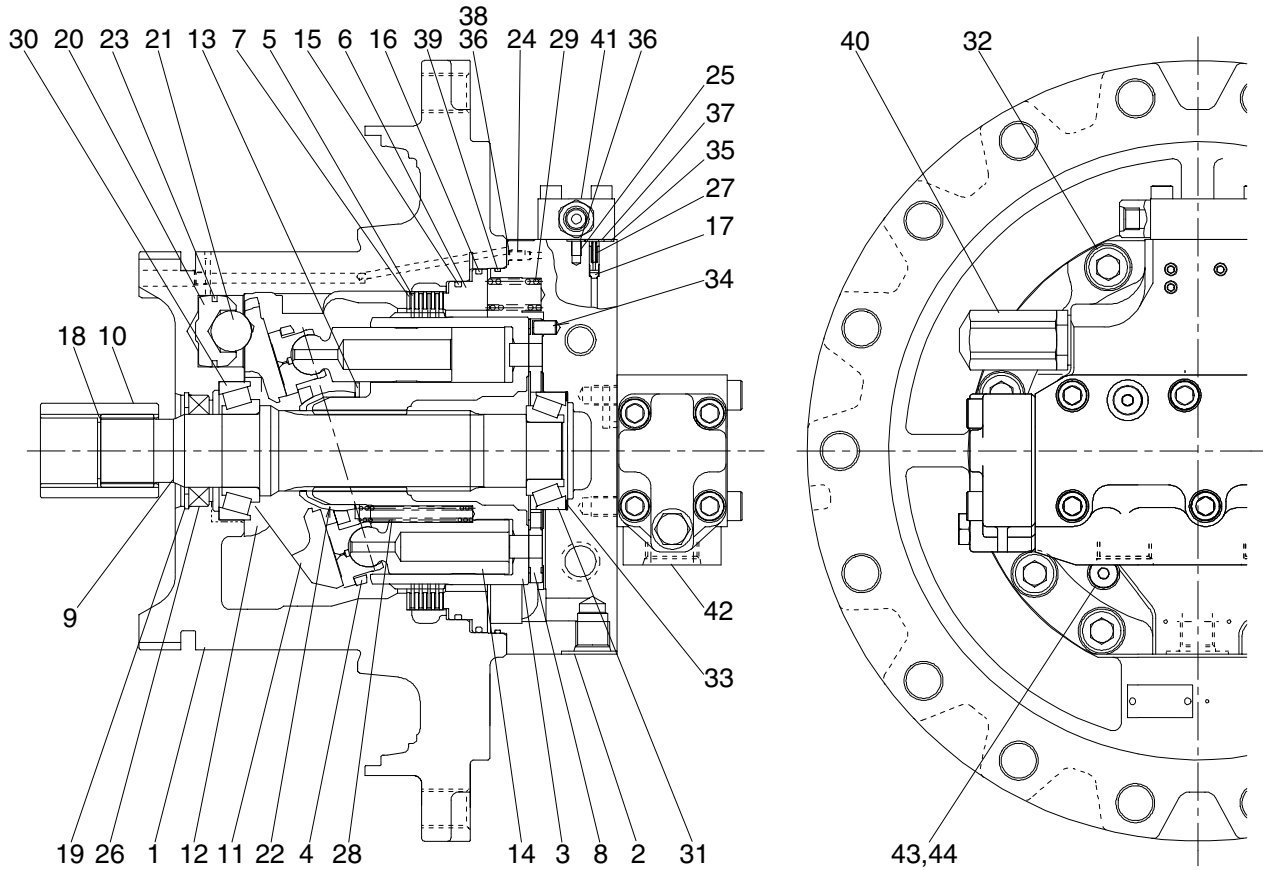


2) INSTALL

- (1) Carry out installation in the reverse order to removal.
- (2) Bleed the air from the travel motor.
 - ① Remove the air vent plug.
 - ② Pour in hydraulic oil until it overflows from the port.
 - ③ Tighten plug lightly.
 - ④ Start the engine, run at low idling, and check oil come out from plug.
 - ⑤ Tighten plug fully.
- (3) Confirm the hydraulic oil level and check the hydraulic oil leak or not.

2. TRAVEL MOTOR

1) STRUCTURE

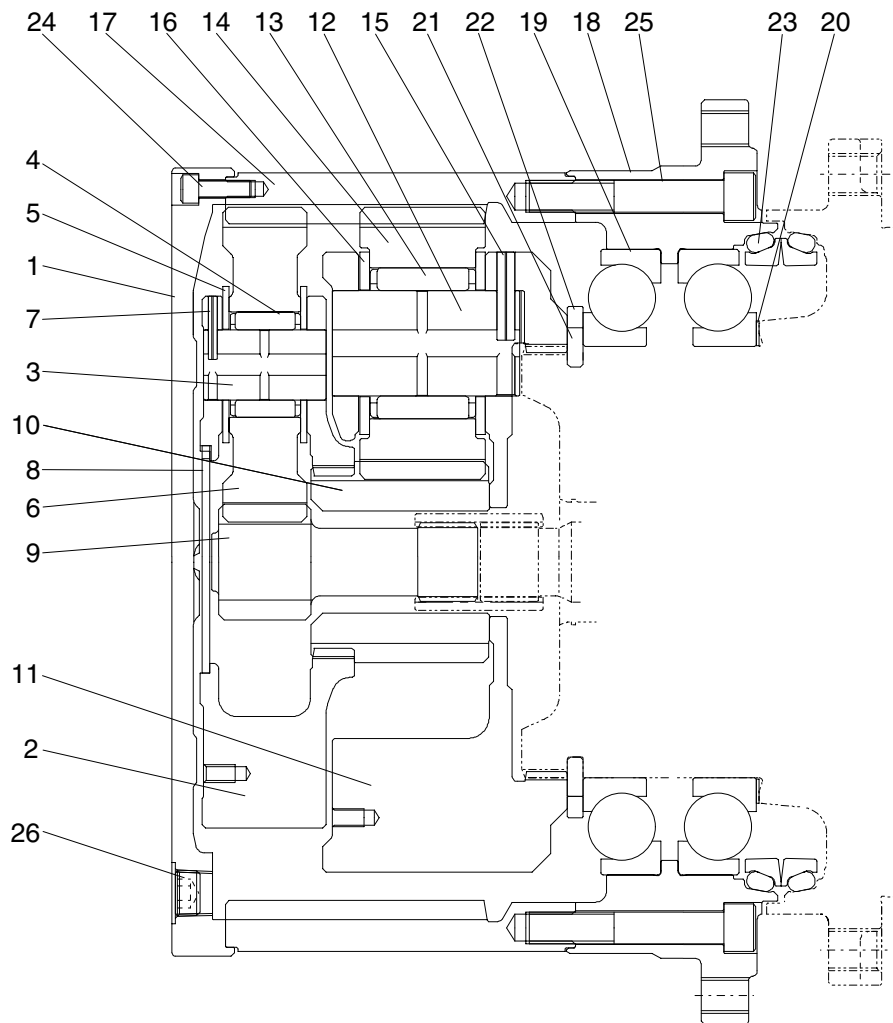


29078TM02

1	Casing	16	D-ring(Big)	31	Bearing
2	Rear cover	17	Check valve	32	Hexagon socket head bolt
3	Cylinder block	18	C type retaining ring	33	Shim
4	Shoe retainer	19	Retaining ring	34	Parallel pin
5	Friction plate	20	Inclined piston	35	O-ring
6	Brake piston	21	Steel ball	36	O-ring
7	Separating plate	22	Ball joint	37	O-ring
8	Valve plate	23	Piston seal	38	O-ring
9	Shaft	24	M6 restrictor(0.6)	39	O-ring
10	Coupling	25	M6 restrictor(0.8)	40	Overload relief valve
11	Swash plate	26	Oil seal	41	Pilot valve
12	Pivot	27	Check valve spring	42	Brake valve
13	Spring holder	28	Cylinder spring	43	Plug
14	Piston assy	29	Brake spring	44	O-ring
15	D-ring(Small)	30	Bearing		

3. TRAVEL REDUCTION GEAR

1) STRUCTURE

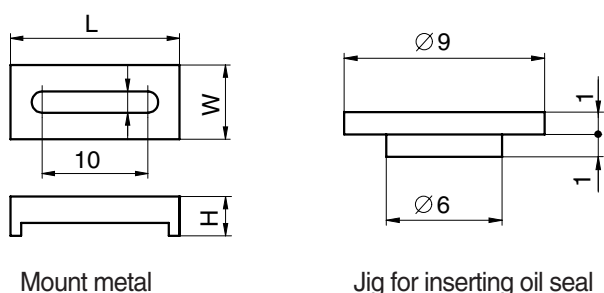
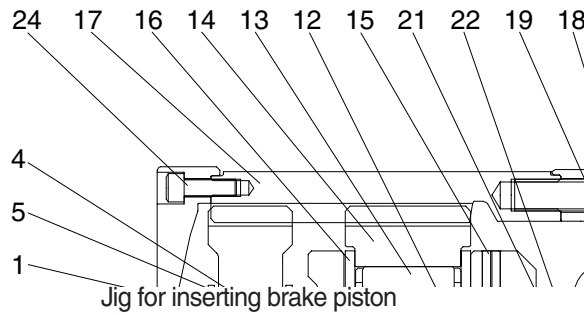


29078TM03

- | | | | | | |
|---|------------------|----|------------------|----|--------------------------|
| 1 | Cover | 10 | Sun gear 2 | 19 | Angular bearing |
| 2 | Carrier 1 | 11 | Carrier 2 | 20 | Shim |
| 3 | Carrier pin 1 | 12 | Carrier pin 2 | 21 | Lock washer |
| 4 | Needle bearing | 13 | Needle bearing | 22 | Support ring |
| 5 | Thrust washer 1 | 14 | Planetary gear 2 | 23 | Floating seal |
| 6 | Planetary gear 1 | 15 | Spring pin | 24 | Hexagon socket head bolt |
| 7 | Spring pin | 16 | Thrust washer 2 | 25 | Hexagon socket head bolt |
| 8 | Thrust plate | 17 | Ring gear | 26 | Socket head taper plug |
| 9 | Sun gear 1 | 18 | Housing | | |

2) TOOLS AND TIGHTENING TORQUE

(1) Tools

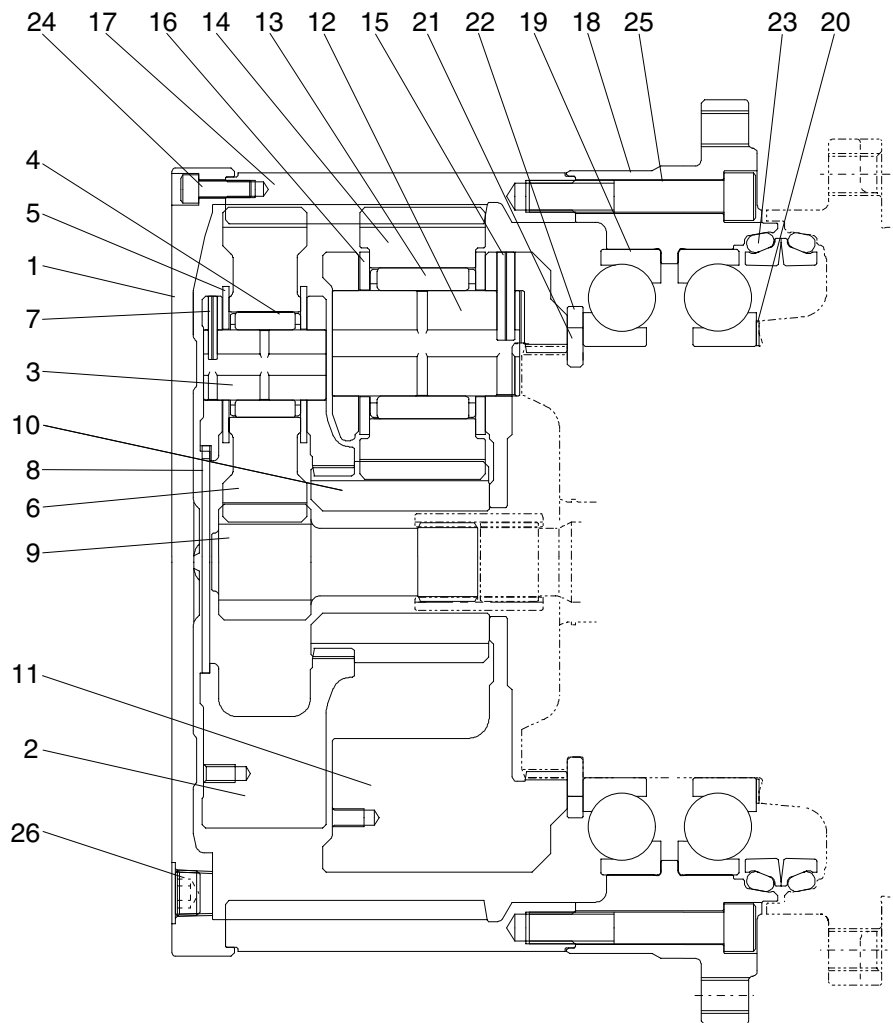
Description	Specification
Hexagon key	Width across flat 5, 6, 10, 14mm
Spanner	Width across flat 19, 27, 32, 35mm
Snap ring prier	For shaft ϕ 45
Snap ring prier	For bore ϕ 32~ ϕ 80
Plastic hammer	-
Screw driver	Minus(-), medium size, 2 pieces
Torque wrench	0~33kgf · m(0~238.7lbf · ft)
Gear(Bearing) puller	Work size : Dia 75 × Width 45 can be handled
Mount metal(2 pieces) Jig for inserting oil seal	 <p>Mount metal</p> <p>Jig for inserting oil seal</p>
Jig for inserting brake piston	 <p>Jig for inserting brake piston</p>
Others	Seal tape, kerosene, grease, hydraulic oil, compressed air, waists etc.

(2) Tightening torque

Item	Part name	Size	Torque		Wrench size	
			Kgf · m	lbf · ft	in	mm
10	Hexagon socket head bolt	M 8	2	14.5	0.24	6
14	Hexagon socket head bolt	M12	8	57.9	0.4	10
32	Hexagon socket head bolt	M18	33	239	0.55	14
40	Overload relief valve	ORV-240L6	10~12	72.3~86.8	1.26	32
41	Hexagon socket head bolt	M 8	2	14.5	0.24	6
42	Hexagon socket head bolt	M12	8	57.9	0.4	10
43	Plug	PF 1/4	2.5~3	18.1~21.7	0.25	6.35

3. TRAVEL REDUCTION GEAR

1) STRUCTURE

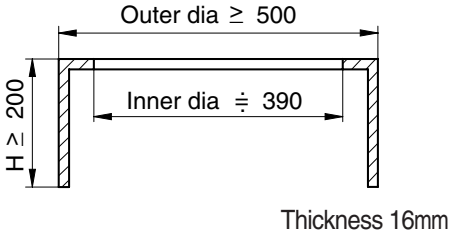


29078TM03

- | | | | | | |
|---|------------------|----|------------------|----|--------------------------|
| 1 | Cover | 10 | Sun gear 2 | 19 | Angular bearing |
| 2 | Carrier 1 | 11 | Carrier 2 | 20 | Shim |
| 3 | Carrier pin 1 | 12 | Carrier pin 2 | 21 | Lock washer |
| 4 | Needle bearing | 13 | Needle bearing | 22 | Support ring |
| 5 | Thrust washer 1 | 14 | Planetary gear 2 | 23 | Floating seal |
| 6 | Planetary gear 1 | 15 | Spring pin | 24 | Hexagon socket head bolt |
| 7 | Spring pin | 16 | Thrust washer 2 | 25 | Hexagon socket head bolt |
| 8 | Thrust plate | 17 | Ring gear | 26 | Socket head taper plug |
| 9 | Sun gear 1 | 18 | Housing | | |

2) TOOLS AND TIGHTENING TORQUE

(1) Tools

Description	Specification
Torque wrench	For 0~50kgf · m(0~361lbf · ft)
Hexagon socket wrench	Width across flats 8, 14mm
Work stand	 <p>Outer dia ≥ 500 Inner dia $\doteq 390$ H ≥ 200 Thickness 16mm</p>
Micro depth gauge	0~15mm
Vernier caliper	0~150mm
Pin	For knocking in spring pins item 7 and 15 $\phi 4.5 \times 80$, $\phi 9.5 \times 60$
Eye bolt	M10 and M20(Or equiv. hooks) each 3 pcs each
Others small items	Kerosene as cleaner, solvent, gear oil, grease, Loctite No.242 and No.515, seal tape, waists etc.
Vertical press and jigs	To press in angular bearings and to assemble its lock washers.

(2) Tightening torque

Item	Part name	Size	Torque		Wrench size	
			Kgf · m	lbf · ft	in	mm
24	Socket head bolt	M10 × 30	7	50.61	0.31	8
25	Socket head bolt	M18 × 110	38.5	278.4	0.55	14
26	Socket head plug	R(PT) 3/4	10	72.3	0.75	19

4. DISASSEMBLING

1) GENERAL INSTRUCTIONS

- (1) Generally, hydraulic equipment is precisely manufactured and clearances between each parts are very narrow. Therefore, disassembling and assembling works should be performed on the clean place where dusts hardly gather. Tools and kerosene to wash parts should also be clean and handled with great care.
 - (2) When motor is removed from the host machine, wash around the ports sufficiently and put the plugs so that no dust and/or water may invade. Take off these plugs just before the piping works when re-attach it to the host machine.
 - (3) Before disassembling, review the sectional drawing and prepare the required parts, depending on the purpose and the range of disassembling.
Seals, O-rings, etc., if once disassembled, are not reusable.
There are some parts that should be replaced as a subassembly.
Consult with the parts manual in advance.
 - (4) The piston can be inserted to whichever cylinder block for the initial assembling.
However, their combination should not be changed if they are once used. To reuse them, put the matching mark on both pistons and cylinder block before disassembling.
- ▲ Take great care not to pinch your hand between parts while disassembling nor let fall parts on your foot while lifting them.**

2) DISASSEMBLING REDUCTION UNIT

(1) Preparation for disassembling

- ① The reduction units removed from excavator are usually covered with mud. Wash outside of propelling unit and dry it.
- ② Loosen taper screw plug of drain port and drain oil from reduction gear.
 - ※ While oil is still hot, inside of the unit may be pressurized.

▲ Take care of the hot oil gushing out of the unit when loosening the plug.

③ Mark for mating

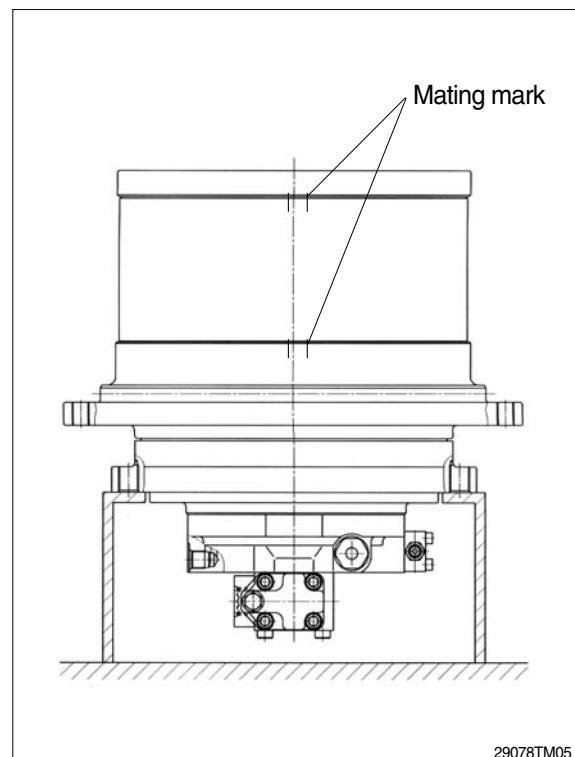
Put marks on each mating parts when disassembling so as to reassemble correctly as before.

- ※ Figure in () shown after the part name corresponds to the number on structure drawing.

(2) Setting reduction unit(Or whole propelling unit) on work stand for disassembling

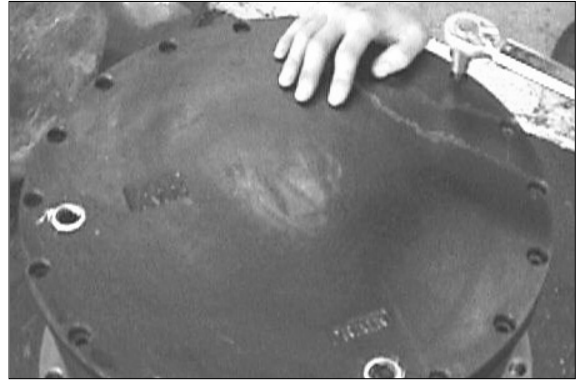
- ① Remove M10 hexagon socket head bolts(24) at 3 places from cover(1) almost equally apart each other, then install M10 eye bolts. Lift up the unit using them and place it on work stand with cover(1) upward.

▲ Take great care not to pinch your hand between parts while disassembling nor let fall parts on your foot while lifting them.



(3) Removing cover

- ① Remove the rest of M10 hexagon socket head bolts(24) that secure cover(1).



29078TM06

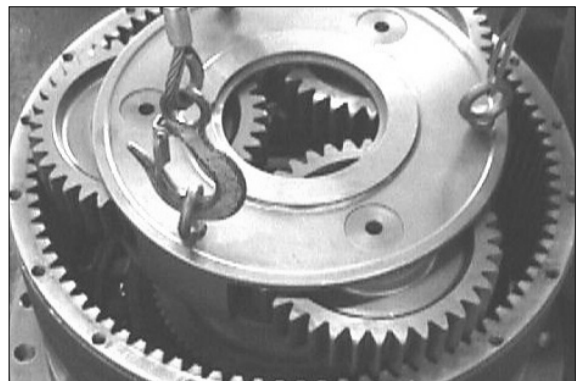
- ② As the cover(1) is adhered to ring gear (17), remove cover(1) by lightly hammering slantwise upward by wooden bar aiming at projection of cover(1).



29078TM07

(4) Removing carrier 1 assembly

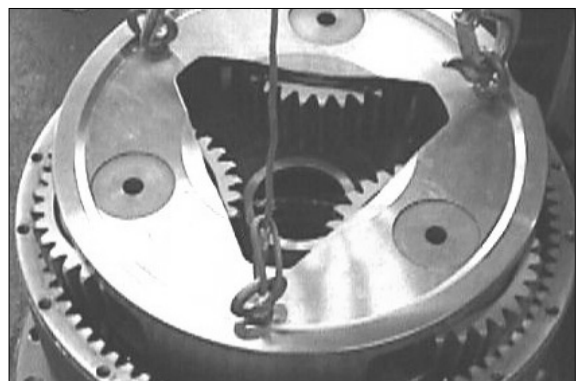
- ① Remove thrust plate(8).
- ② Remove sun gear 1(9).
- ③ Screw three M10 eye bolts in carrier 1(2) and lift up and remove carrier 1 as subassembly(2, 3, 4, 5, 6, 7).



29078TM08

(5) Removing carrier 2 assembly

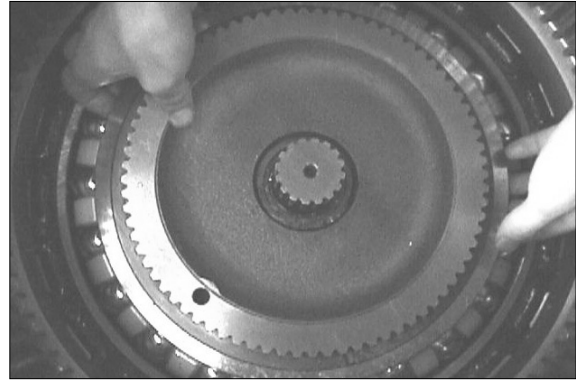
- ① Remove sun gear 2(10).
- ② Screw three M10 eye bolts in carrier 2(11) and lift up and remove carrier 2 as subassembly(11, 12, 13, 14, 15, 16).



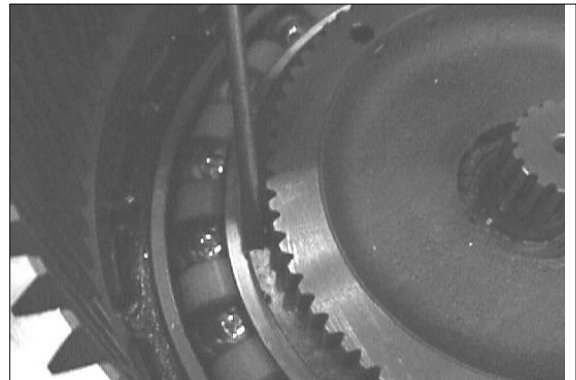
29078TM09

(6) Removing housing assembly

- ① Remove support ring(22).
- ② Take off lock washers(21) by tapping on screw driver or on similar tool placed at parting surface of them.
- ③ Screw three M10 eye bolts in ring gear(17) and remove housing assembly including ring gear(17), housing(18), angular bearing(19), and a piece of floating seal(23) together.



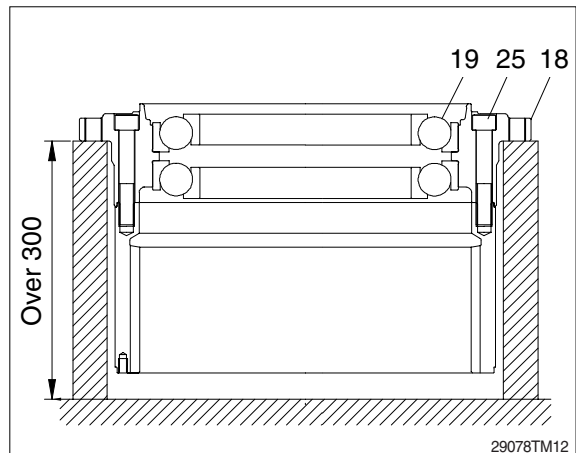
29078TM10



29078TM11

(7) Disassembling housing assembly

- ① Place housing assembly on steel blocks or a stand with ring gear(17) below. Make the mating mark on both housing (18) and ring gear(17).
 - ② Remove floating seal(23) from housing (18).
 - ③ Remove M18 hexagon socket head bolts (25), leaving two of them at 180° apart position.
 - ④ Loosen the two hexagon socket head bolts(25) and tap lightly the head of them then ring gear(17) can be easily removed from housing(18).
- ※ Take care not to damage the sliding surface of floating seal(23) or its O-ring.
 - ※ Bearings(19) have been tightly press fitted in housing(18). Don't remove the bearings(19) unless their exchange is needed.
- In case bearings removed, don't reuse them. New bearings should be used and shim adjusting be required.



29078TM12

(8) Removing floating seal

- ① Remove a piece of floating seal(23) of motor side.



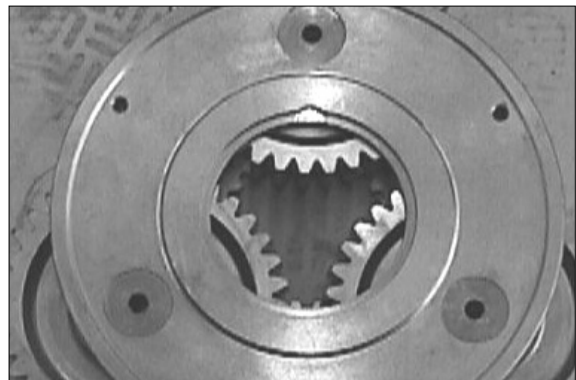
29078TM13

(9) Disassembling carrier 1 assembly

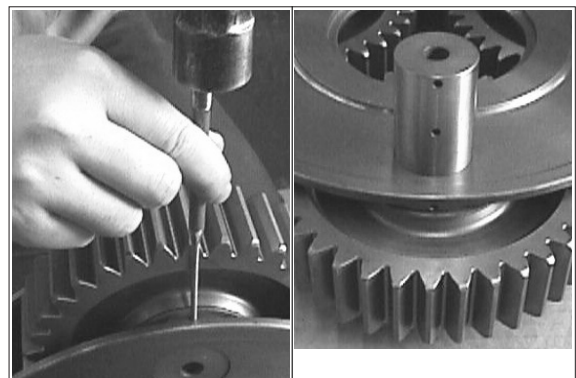
- ※ When carrier pins 1(3) are to be reused, mark each pin with its mated hole of carrier 1(2) to assure the same combination as before.

- ① Knock spring pins(7) fully into carrier pins 1(3).
- ② Tap carrier pins 1(3) out from carrier 1(2).
- ③ Remove thrust washers 1(5), planetary gears 1(6) and needle bearings(4).
- ④ Knock out spring pins(7) from carrier pins 1(3) for reassembling.

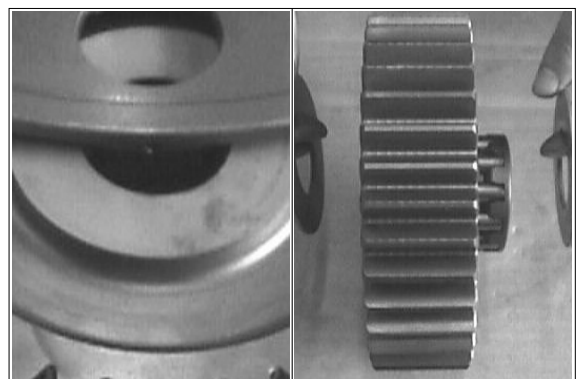
- ※ When carrier pin 1(3) or planetary gear 1(6) is needed to be exchanged, three pins or three gears should be all exchanged.



29078TM14



29078TM15/16



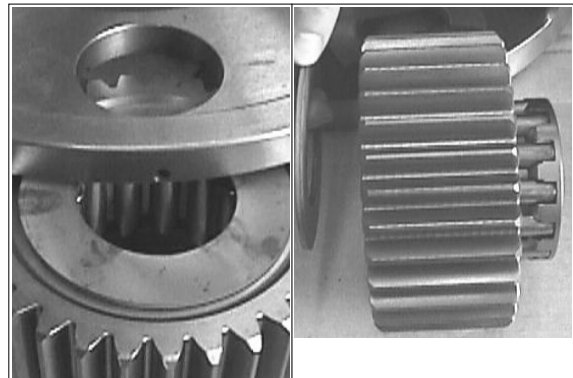
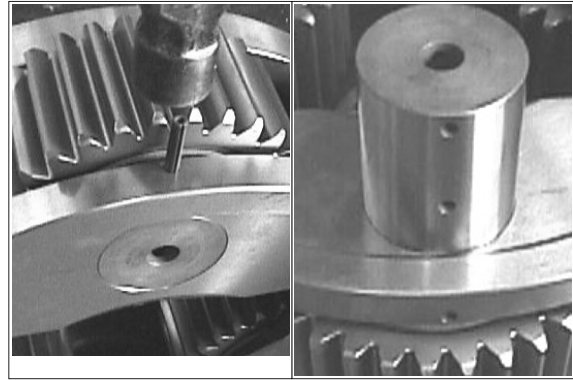
29078TM17/18

(10) Disassembling carrier 2 assembly

※ When carrier pins 2(12) are to be reused, mark each pin with its mated hole of carrier 2(11) to assure the same combinations as before.

- ① Knock spring pins(15) fully into carrier pins 2(12).
- ② Tap carrier pins 2(12) out from carrier 2(11).
- ③ Remove planetary gears 2(14) and spherical roller bearings(13).
- ④ Knock out spring pins(15) from carrier pins 2(12) for reassembling.

※ When carrier pin 2(12) or planetary gear 2(14) is needed to be exchanged, three pins or three gears should be all exchanged.



3) DISASSEMBLING TRAVEL MOTOR

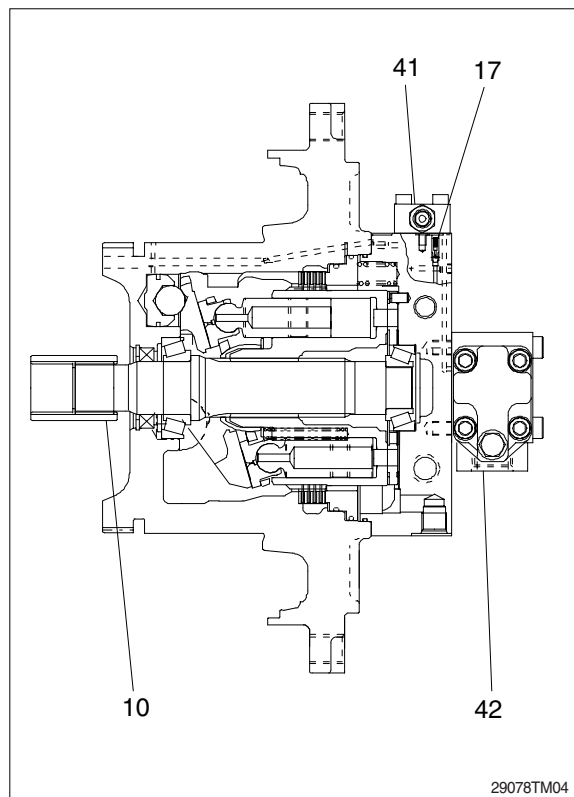
(1) Removing accessory valves

Before disassembling motor, remove accessory valves.

- ① Remove brake valve(42).
- ② Remove pilot valve(41).
- ③ Remove check valve(17).
- ④ Remove overload relief valves(40).
- ⑤ Remove coupling(10).

※ According to disassembling purpose, select the valves to be removed.

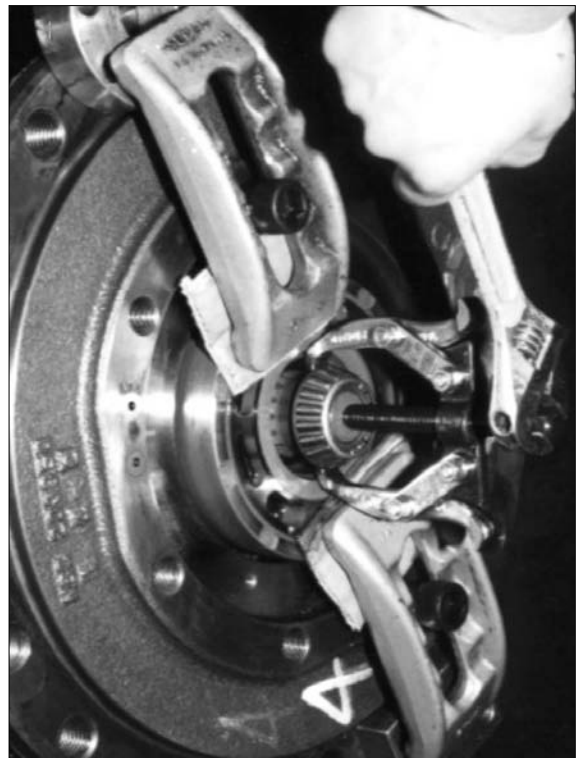
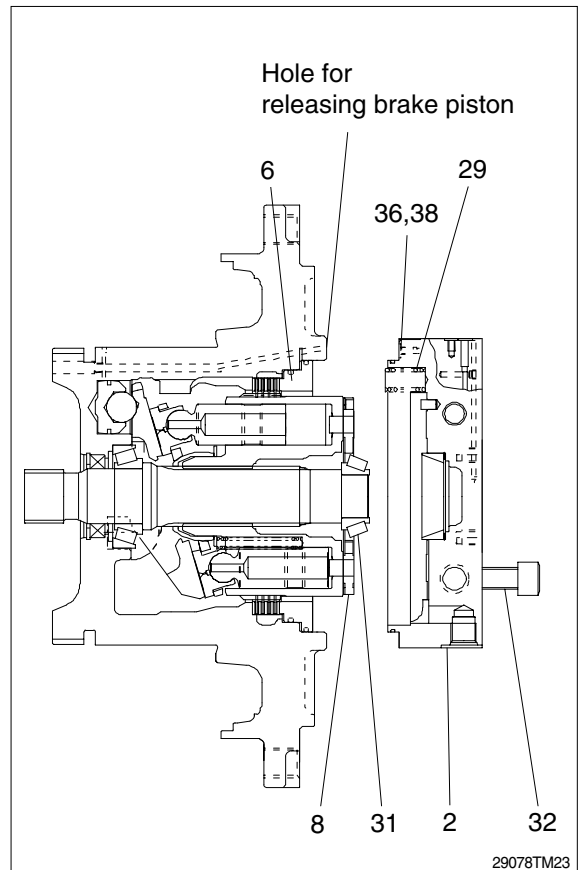
However, you cannot disassemble the motor without removing valves.



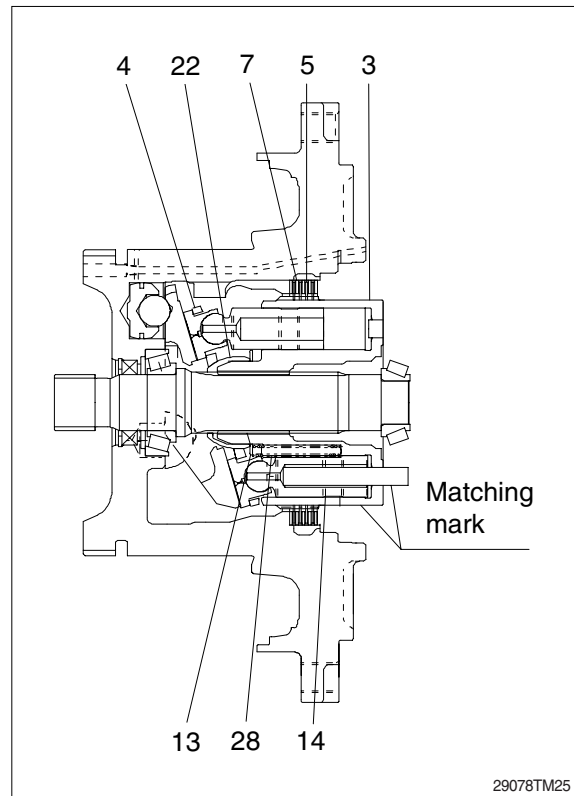
(2) Disassembling motor

- ① Place the motor with the shaft horizontal, remove hexagon socket head bolt(32) of rear cover(2) leaving two on diagonally upper and lower position.
- ② Loosen slowly and simultaneously the remaining two hexagon socket head bolt (32).
- ③ Remove rear cover(2) and brake springs (29) taking care cylinder block(3) is not coming out stuck with rear cover(2).
 - ※ Do not fall, at this moment, valve plate(8), brake springs(29) and/or O-rings(36, 38).
 - ※ If cylinder block(3) would come out with rear cover(2), then push in the cylinder block(3) by a rounded point bar of $\varnothing 5-8$ through the oil hole of rear cover(2), taking care not to make any scratch on these parts, pulling out the rear cover(2) only.
- ④ Remove valve plate(8) without pulling out cylinder block(3).
 - ※ Put the matching mark on both valve plate(8) and rear cover(2) so that valve plate(8) should not be reversed on reassembly.
- ⑤ Using removed hexagon socket head bolt, fasten two mount metals so as to push in cylinder block(3) without damaging it then inner race of rear bearing(31) comes out.
- ⑥ Put two fingers of gear(Bearing) puller under the inner race of rear bearing(31) and remove the race.
- ⑦ Attaching a hand on brake piston(6), supply plant air through oil hole for releasing brake and push out the piston(6).

▲ Be aware of piston popping out.



- ⑧ Put a mark on a piston assembly(14) such as a paper pipe and put a matching mark on cylinder block(3) so that they can be reassembled at the same position as before.
- ⑨ Remove cylinder block(3), spring holder (13) and cylinder spring(29).
- ⑩ Remove separator plates(7) and friction plates(5).
- ⑪ Remove 9 piston assemblies(14), shoe retainer(4) and ball joint(22) as an assembly.
- ※ Put piston assemblies(14) into the cylinder block(3) matching the matching mark with shoe retainer(4) as if assembled. The purpose is to put piston assemblies (14) in the same bore of cylinder block(3) as before when reassembled.
- ※ Take care not to scratch polished surfaces.
Do not reuse damaged ones.
- ※ It is impossible to disassemble piston and shoe because they are calked together. Above disassembling is mentioned as a
- ※ motor only and naturally can be applied to the motor with reduction gears. The situation is rather easier for with reduction gears because the shaft is rather restricted by a gear to move.



29078TM25

- ⑫ Remove swash plate(11).
- ⑬ Do not detach inclined piston(20). If forced to detach, attach a hand on inclined piston and supply plant air through the hole shown and push it out.

▲ Be aware of piston popping out.

- ⑭ Shaft(9) can come out now.
- ⑮ Remove retaining ring(19) and knock out oil seal(26).

If bearings happen to be changed, remove inner races and outer races using bearing puller if needed and exchange to new ones as an assembly.

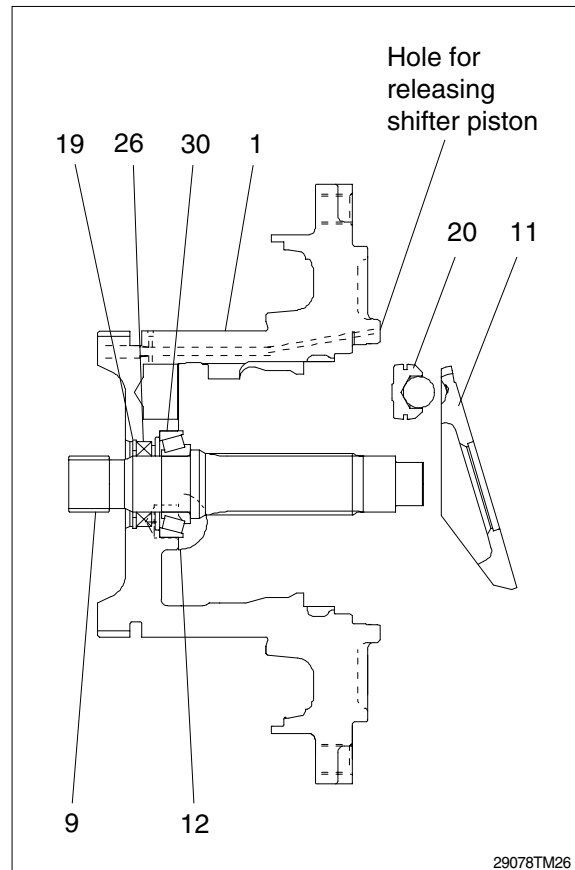
- ※ Under the outer race of rear bearing(31) are shim(33). Reuse them as they are when reassembling.
- ※ When changing bearings(30, 31), shaft(9), casing(1) or rear cover(2), it affects the clearance of the bearings. So shim(33) should be adjusted.

Shim adjustment should be performed by measuring correctly the clearance for shim and change shim that meets the clearance.

Other jigs and tools are needed to measure and decide the thickness of the shim.

Please contact dealers for them if necessary.

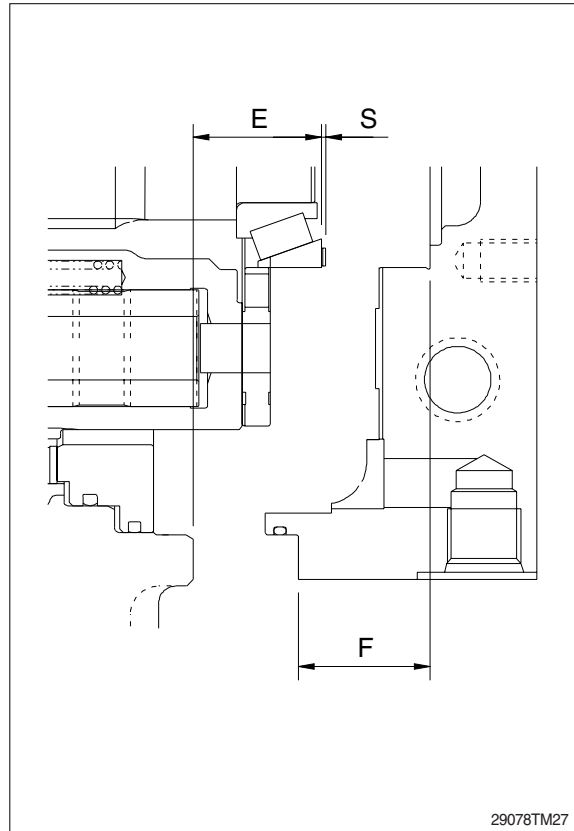
- ※ Do not remove pivots(12).
- If forced to remove them, put matching mark on pivots(12) with casing(1).
- ※ Never detach oil seal(26) only for the purpose of inspecting it.
- If disassembled, never fail to replace oil seal(26) with new one.



Deciding shim thickness for tapered roller bearings.

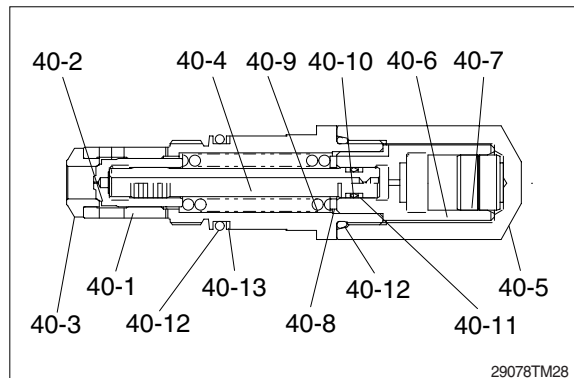
- ※ This work should be done only when you have changed bearings(30, 31), shaft(9), casing(1) or rear cover(2).
 - a. Measure the assembling width **E**
- ※ Take care not to tip shaft(9)
 - b. Measure the depth **F** of rear cover(2)
- ※ Measure them at crossed 4 places on the circuit, then calculate their mean value.
 - c. When thickness of shim(33) to be used is placed as **S**, the clearance **Y** can be calculated as follows:

$$Y = F - (E + S)$$
 - d. Select one or two shim(33) so as the clearance **Y** to come to 0~0.1mm (Clearance) on this unit.
- ※ Select from the shim kit.



(3) Disassembling overload relief valve

- ① Remove overload relief valve(40) as an assembly utilizing hexagonal flats on socket(40-1).
 - ② As a rule, overload relief valve(40) should be handled as one service part.
 If forced to disassemble it, detach cap (40-5) from socket(40-1) and take out component parts.
- ※ Valve seat(40-3) is fitted tight to the hole of socket(40-1).
 Never disassemble them if not required, since the hole of socket may be damaged.



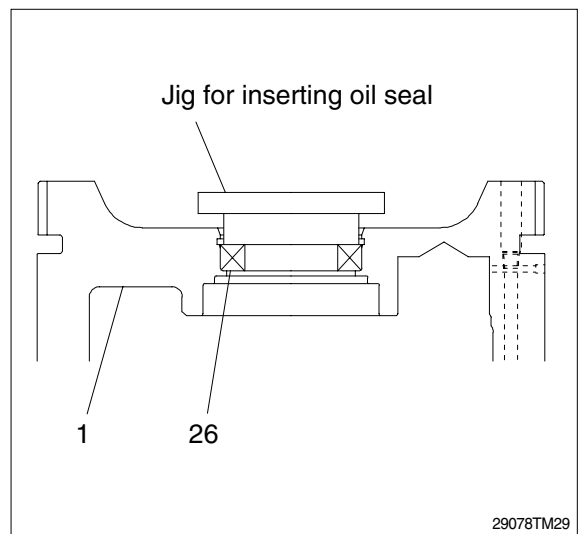
5. REASSEMBLING

1) GENERAL INSTRUCTIONS

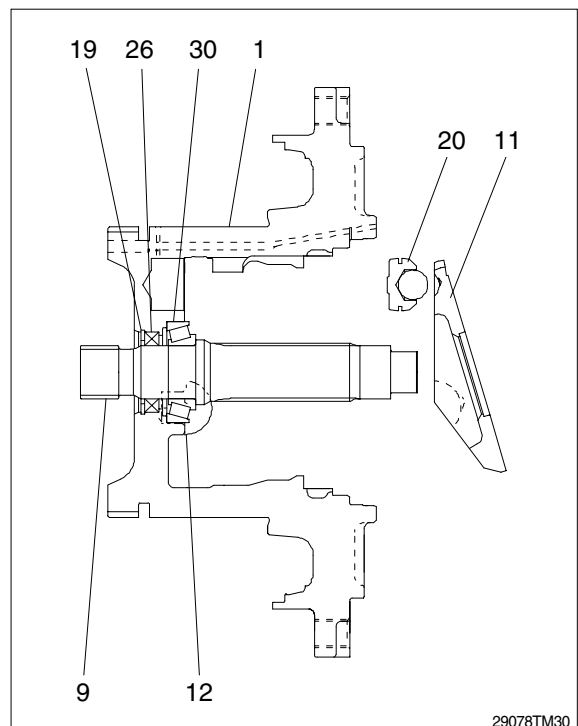
- (1) Wash each parts sufficiently with kerosene and blow them by plant air.
 - (2) Assemble sliding parts after coating clean hydraulic oil on them.
- ▲ Take great care not to pinch your hand between parts or tools while assembling nor let fall parts on your foot while lifting them.**

2) REASSEMBLING MOTOR

- (1) Coat outer surface of oil seal(26) and inner face of casing(1) with grease. Using jig, rightly and evenly press in the oil seal(26) into casing(1).
 - (2) Fix oil seal(26) by retaining ring(19).
 - (3) Put the outer race of bearing(30) on casing(1)(This fit is loose), and press the inner race on shaft(9)(This fit is tight).
- ※ It is easier to fit inner race if the inner race is heated or boiled under 100°C.
Never over heat.



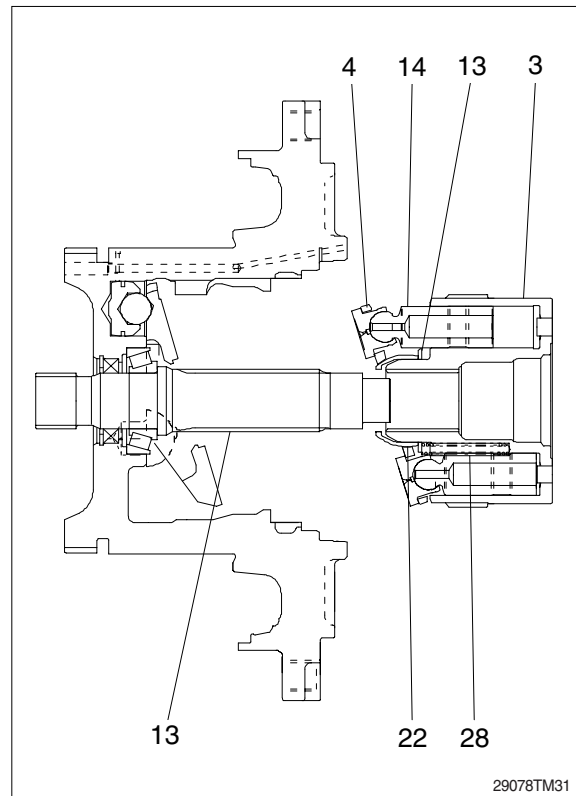
- (4) Insert shaft(9) into casing(1) after coating grease on the contact surface to oil seal (26) lip.
- (5) Put inclined piston(20) into casing(1).
- (6) Insert pivots(12) into the casing(1).
Take care to match the matching mark with casing(1) and also to coincide the direction of sliding trace on sphere surface with those contact trace on swash plate (11) if the motor was operated for a certain hours.
- (7) Coat three spherical recess of swash plate(11) with ample grease and assemble it in casing(1).



(8) Insert piston assembly(14), shoe retainer (4), ball joint(22), spring holder(13), cylinder spring(28) on to cylinder block(3) as shown and then insert the whole assembly to shaft(9).

※ Piston assembly(14) should be inserted into the same bore as before.

(9) Rightly knock in the inner race of rear bearing(31) to the rear end of shaft(9).

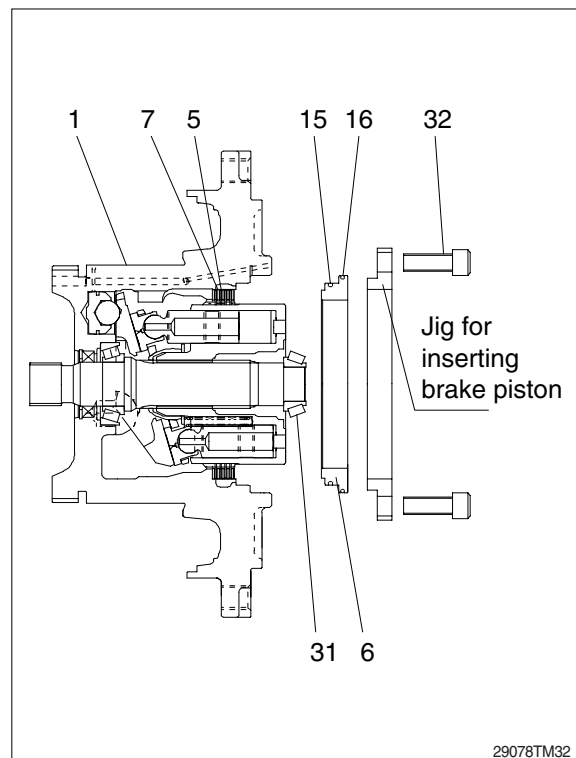


(10) Install all the separator plates(7) and friction plates(5) alternately between casing(1) and cylinder block(3) adjusting on the notches and splines. Separator plates(7) comes both first and last.

(11) Insert brake piston(6) into casing(1) using inserting jig after attaching D-rings(15, 16) to brake piston(6).

※ Two kinds of D-rings are used on brake piston(6). The larger one(16) is first inserted into the hole, then the smaller one(15) enters.

It is impossible to see how the smaller ring goes into the hole. Therefore, never push it forcibly into the hole. Otherwise, it may be scraped off by the edge of the hole of casing(1).



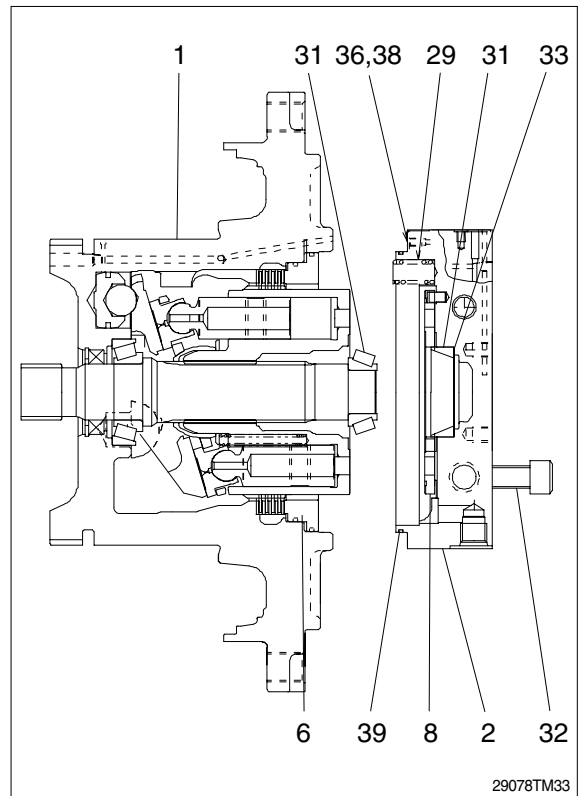
(12) Lay down rear cover(2) to mount valve plate(8) coinciding matching mark made prior to disassembling and also place brake springs(29) with ample grease to be attached to rear cover(2) while this assembling.

Also set O-ring(39) on rear cover(2).

Then, insert rear cover(2) to casing(1) and fasten hexagon socket head bolt(32).

(13) Put coupling(10) on the shaft(9).

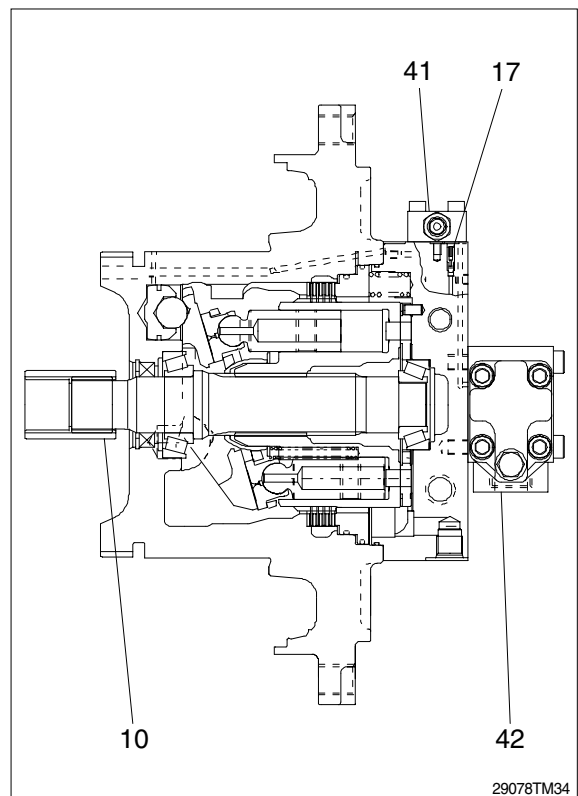
※ Tightening torque of hexagon socket head bolt(32) is 33kgf · m(238.6lbf · ft) with rust preventive on the threads.



3) ASSEMBLING ACCESSORY VALVES

After reassembling motor, assemble accessory valves.

- (1) Assemble brake valve(42).
- (2) Assemble check valve(17).
- (3) Assemble pilot valve(41).
- (4) Assemble overload relief valves(40).
- (5) Assemble coupling(10).



4) ASSEMBLING REDUCTION GEAR

(1) General notes

- ① Clean every part by kerosene and dry them by air blow. Surfaces to be applied by loctite must be decreased by solvent.
- ② Check every part for any abnormalities.
- ③ Each hexagon socket head bolt should be used with loctite No.242 applied on its threads.
- ④ Apply gear oil slightly on each part before assembling.

▲ Take great care not to pinch your hand between parts or tools while assembling nor let fall parts on your foot while lifting them.

※ Inspection before reassembling

a. Thrust washer

- Check if there are seizure, abnormal wear or uneven wear.
- Check if wear is over the allowable limit.

b. Gears

- Check if there are pitting or seizure on the tooth surface.
- Check if there are cracks on the root of tooth by die check.

c. Bearings

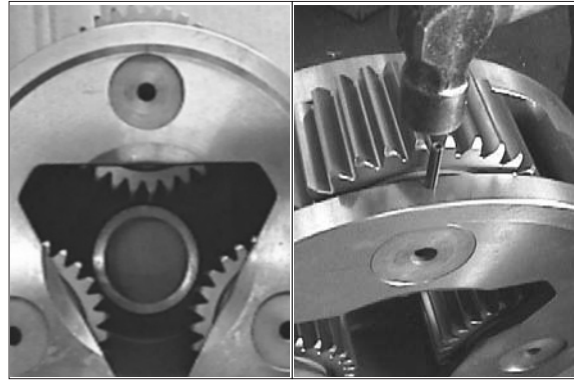
- Rotate by hand to see if there are something unusual such as noise or uneven rotation.

d. Floating seal

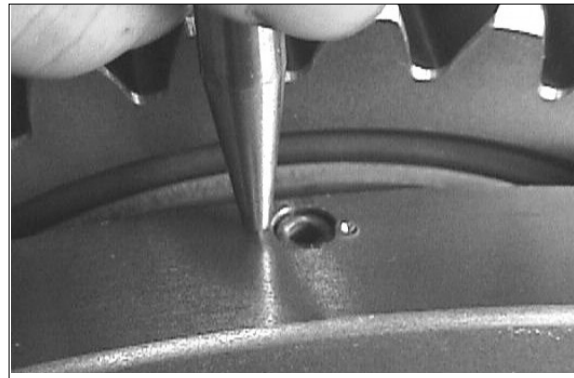
- Check flaw or score on sliding surfaces or on O-rings.

(2) Assembling carrier 2 assembly

- ① Install retaining rings(16) into planetary gear 2(14) if removed.
Install planetary gears 2(14) and spherical roller bearings(13) into carrier 2(11).
- ② Install carrier pins 2(12) into carrier 2(11) where the holes for spring pins(15) are to be in line with those of carriers 2(11).
- ③ Install spring pins(15) into carrier 2(11) and at the same time into carrier pins 2(12).



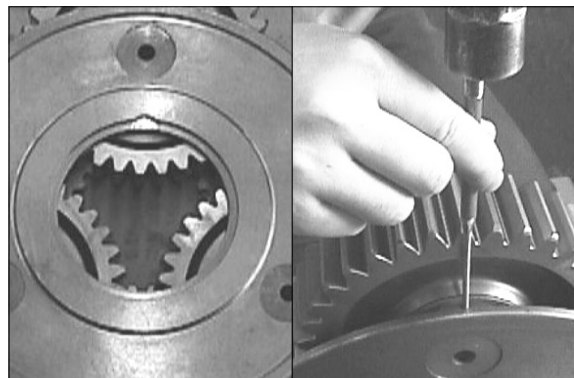
29078TM35/36



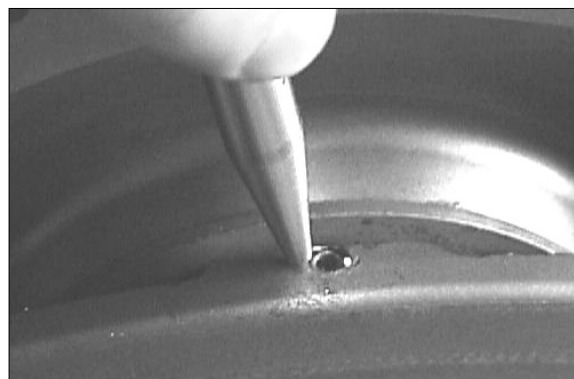
29078TM37

(3) Assembling carrier 1 assembly

- ① Install planetary gears 1(6), needle bearings(4) and thrust washers 1(5) into carrier 1(2).
- ② Install carrier pins 1(3) into carrier 1(2) where the holes for spring pins(7) are to be in line with those of carrier 1(2).
- ③ Install spring pins(7) into carrier 1(2) and at the same time into carrier pins 1(3).



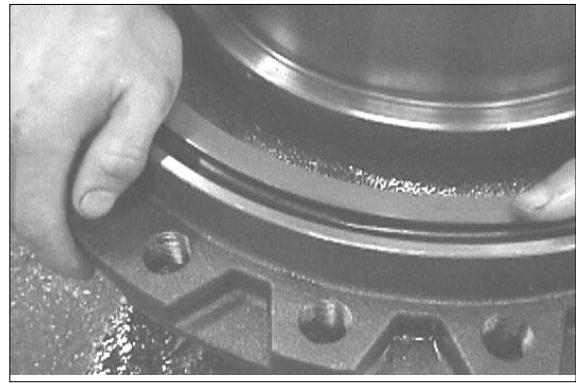
29078TM38/39



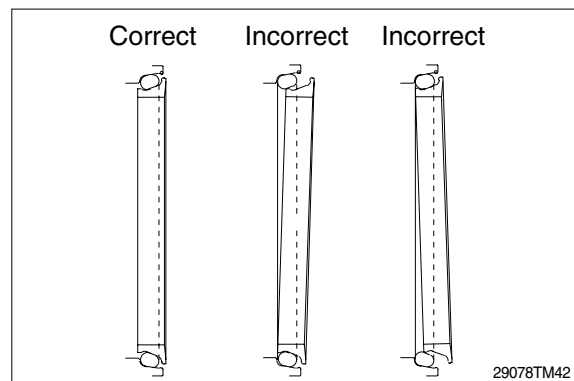
29078TM40

(4) Installing floating seal

- ① Install a piece of floating seal(23) on motor casing and also install another piece of floating seal(23) on housing(18).
- ※ Clean the groove for floating seals(23) to eliminate oil, dust, paint or other foreign material.
- ※ Apply gear oil slightly on sliding surfaces of floating seals(23) before assembling but strictly dry on O-rings and on its grooves.
- ※ Confirm that O-ring of floating seal(23) are not twisted and that floating seal is correctly installed. i.e. parallel as shown each other between housing(18) and motor casing after assembled.
It is recommended to use jig to install floating seal.



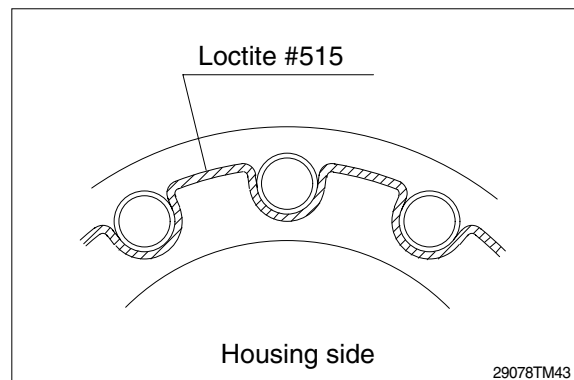
29078TM41



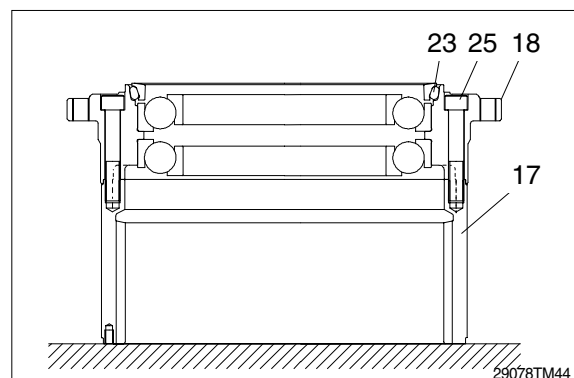
29078TM42

(5) Assembling housing assembly

- ① Apply loctite No.515 on mating surfaces of housing(18) and ring gear(17) without a gap.
- ② Install three M24 eye bolts equally apart on housing(18). Using the bolts, hang the housing(18) by wire rope and place it on ring gear(17), coinciding mating marks.
- ③ After applying loctite No.242 on the threads of 25 pieces of M18 × 110 hexagon socket head bolts(25), tighten them with torque wrench to 38.5kgf · m (278.3lbf · ft).



29078TM43



29078TM44

(6) Deciding shim thickness for angular bearings

※ This work should be done only when you have to change at least one of motor casing(23), housing(18), bearing(19) and lock washer(21). Unless otherwise use the same shim as before.

- ① Fit in two bearings(19) on housing(18) pressing their outer laces.
- ② Pressing inner laces of two bearings(19) lightly and evenly, measure the assembling width(A) for inner laces.
- ③ Measure the motor side assembling width(B) for bearings(19).
- ④ Measure the groove width(C) of motor casing(23).
- ⑤ Measure the thickness(D) of lock washer (21).

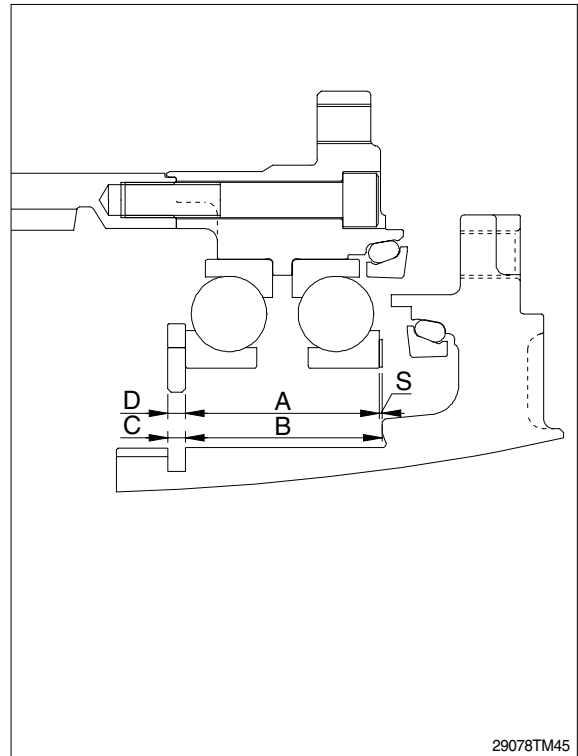
※ Measure them at 4 places evenly apart on the circumferences then calculate and use those mean values.

※ Measure them to the accuracy of 0.01mm.

- ⑥ When thickness of shim(20) to be used is placed as S, the clearance X can be calculated as follows:

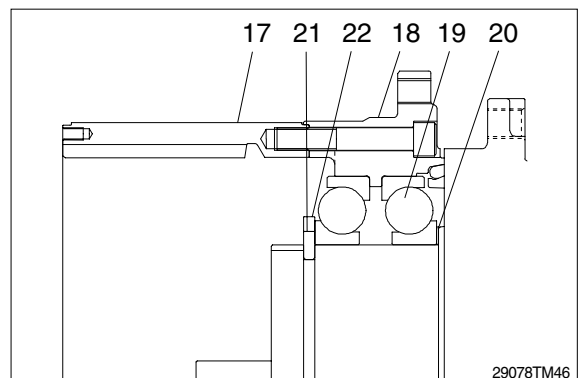
$$X = (B + C) - (A + D + S)$$

- ⑦ Select a shim(20) so as the clearance X to come to -0.08mm(Interference) - 0.02mm (Clearance) on this unit.



(7) Pressing motor in

- ① Place motor on work stand with the shaft upward, and put the selected shim(20) on the bearing end of motor casing.
- ② Install three M10 eye bolts on ring gear (17) almost equally apart and lift it up. Descend it concentric with motor and put bearings(19) of housing(18) into motor casing. Use press machine and press inner lace of bearing(19) into full depth.

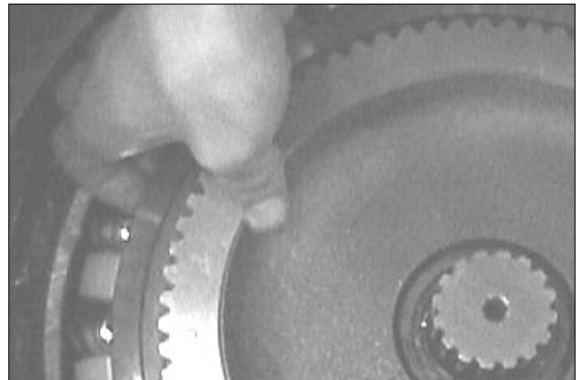


- ③ While pressing flange of housing(18), install lock washers(21) into groove.



29078TM47

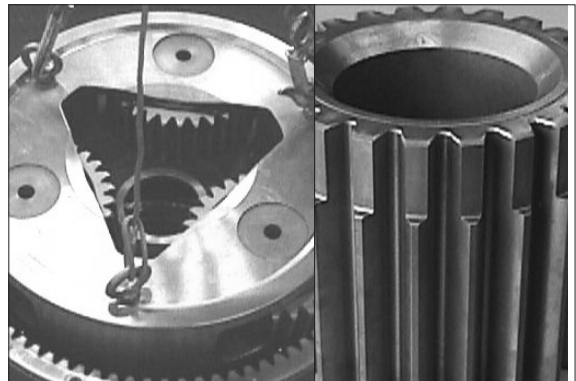
- ④ Install support ring(22) over outside of lock washers(21).



29078TM48

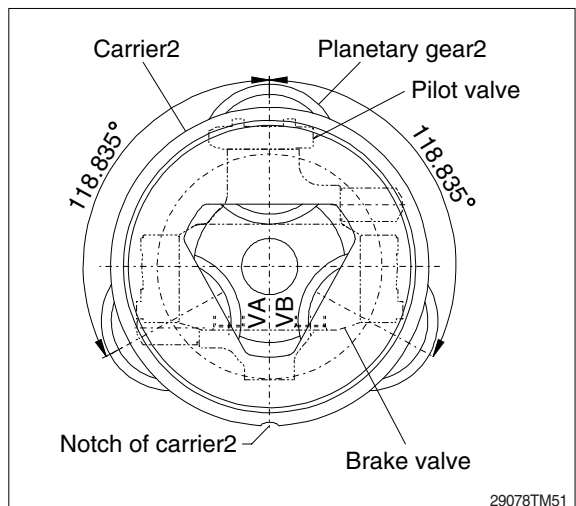
(8) Installing carrier 2 assembly

- ① Position three planetary gears 2(14) as shown on figure 27), put carrier 2 assembly into ring gear(17) and mesh the splines to those of motor.
- ② Insert and mesh sun gear 2(10) on center.



29078TM49/50

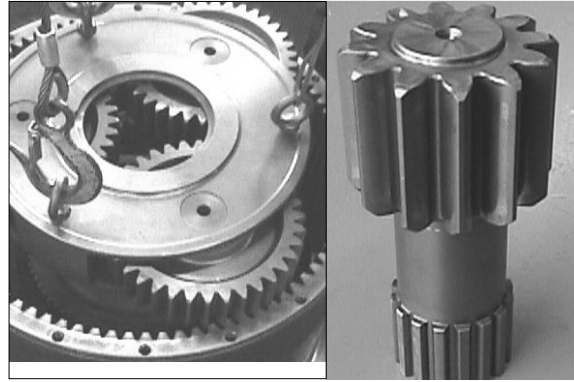
※ Positioning carrier 2 assembly is important to obtain better lubrication.



29078TM51

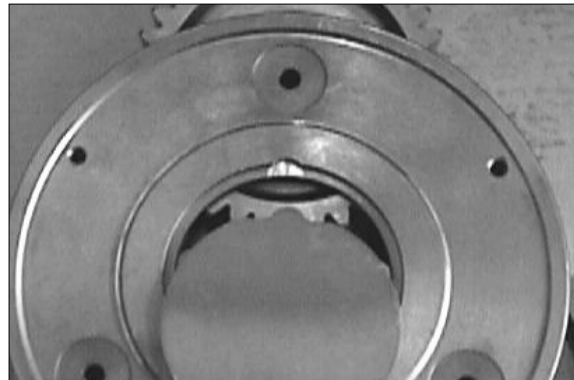
(9) Installing carrier 1 assembly

- ① Putting carrier 1 assembly in ring gear (17), rotate planetary gears 1(6) by hand and adjust carrier 1(2) to mesh with sun gear 2(10).
- ② Making sure that coupling is on the shaft end, install sun gear 1(9) on center.



29078TM52/53

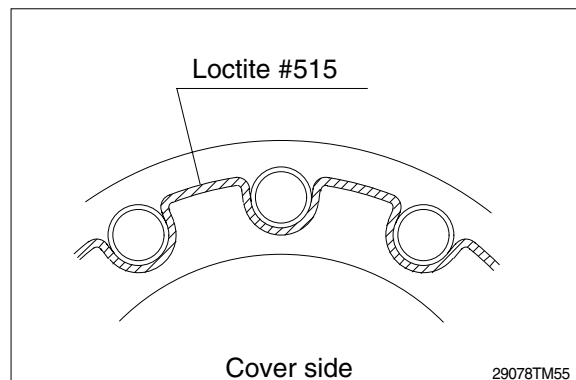
- ③ Facing sharp edged side to cover(1), place thrust plate(8) on carrier 1(2).



29078TM54

(10) Installing cover

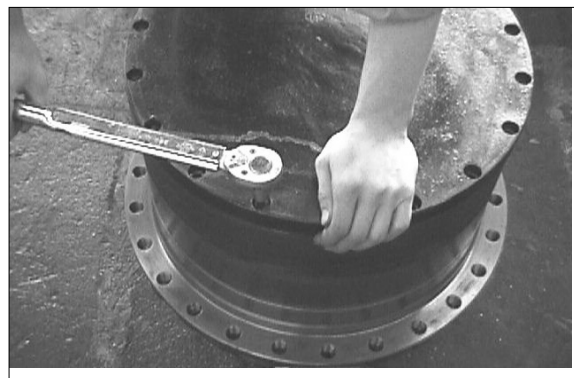
- ※ Gear oil can be filled before installing cover(1) if you can measure prescribed volume of oil.
- ① Apply loctite No.515 on mating surfaces of cover(1) and ring gear(17) and install cover(1) on ring gear(17).
 - ② Apply loctite No.242 on threads of 18 - M10 × 30 hexagon socket head bolts (24) and tighten them with the torque of 7kgf · m(50.6lbf · ft).



29078TM55

(11) Filling gear oil

- ① Fill gear oil(SAE 90 API class GL-4 or GL-5, 11 liters) from two R(PT) 3/4 ports for taper screw plugs(26).
- ② Wrap taper plugs(26) with seal tape and put and tighten them on cover(1).



29078TM56

※ **Inspection after assembled**

a. Lubrication

After installing the propelling unit, position the drain port at the lowest position and check if lubrication oil comes out when loosen the level plug.

b. Rotating inspection

Put the unit on the test stand and rotate with no load and check if there are abnormal noise or leak of oil. This inspection can be done also on an excavator, after mounting the unit, by lifting one side of crawlers by front attachment.

Take care not to overspeed the motor. Rotate within specified flow rate.

GROUP 6 TRAVEL DEVICE(OPTION)

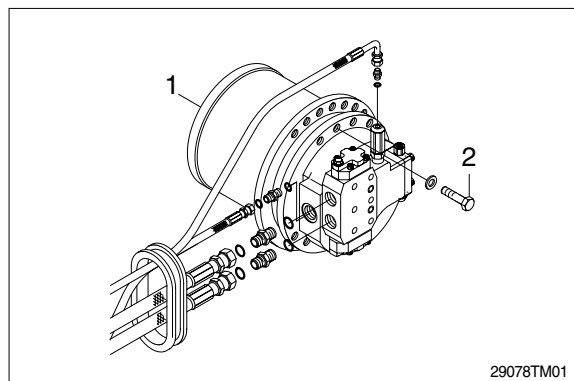
1. REMOVAL AND INSTALL

1) REMOVAL

- (1) Swing the work equipment 90° and lower it completely to the ground.
- (2) Operate the control levers and pedals several times to release the remaining pressure in the hydraulic piping.
- (3) Loosen the breather slowly to release the pressure inside the hydraulic tank.

▲ Escaping fluid under pressure can penetrate the skin causing serious injury.

- ※ When pipes and hoses are disconnected, the oil inside the piping will flow out, so catch it in oil pan.
- (4) Remove the track shoe assembly.
For details, see **removal of track shoe assembly**.
 - (5) Remove the cover.
 - (6) Remove the hose.
 - ※ Fit blind plugs to the disconnected hoses.
 - (7) Remove the bolts and the sprocket.
 - (8) Sling travel device assembly(1).
 - (9) Remove the mounting bolts(2), then remove the travel device assembly.
 - Weight : 305kg(670lb)

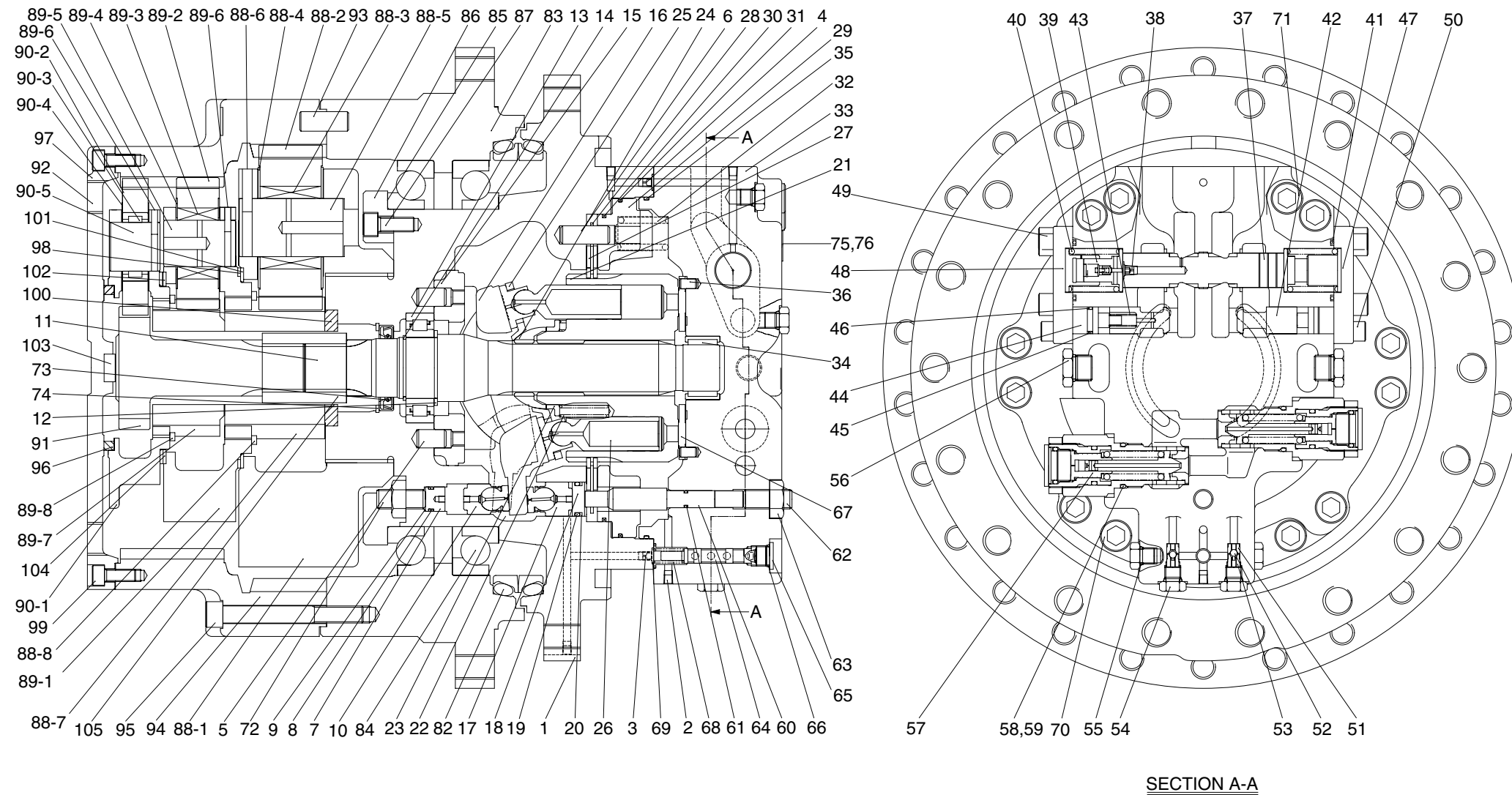


2) INSTALL

- (1) Carry out installation in the reverse order to removal.
- (2) Bleed the air from the travel motor.
 - ① Remove the air vent plug.
 - ② Pour in hydraulic oil until it overflows from the port.
 - ③ Tighten plug lightly.
 - ④ Start the engine, run at low idling, and check oil come out from plug.
 - ⑤ Tighten plug fully.
- (3) Confirm the hydraulic oil level and check the hydraulic oil leak or not.

2. SPECIFICATION

1) TRAVEL MOTOR



SECTION A-A

2907a2TM01

1 Casing	16 Plate	31 Ring	46 Back up ring	61 O-ring	82 Floating Seal	89 Carrier NO.2	91 Sun gear NO.1
2 Plug	17 Piston	32 Spring	47 Cap	62 Lock screw	83 Housing	89-1 Carrier NO.2	92 Plug
3 Screw	18 Stopper	33 Valve casing	48 Cap	63 Nut	84 Bearing	89-2 Planetary gear NO.2	93 Lock pin
4 Screw	19 O-ring	34 Needle bearing	49 Bolt	64 Spool	85 Shim	89-3 Needle NO.2	94 Ring gear
5 Pin	20 Back up ring	35 O-ring	50 Socket bolt	65 Plug	86 Retainer	89-4 Thrust washer NO.2	95 Bolt
6 Pin	21 Cylinder block	36 Pin	51 Seat	66 O-ring	87 Bolt	89-5 Pin NO.2	96 Thrust ring NO.1
7 Stopper	22 Cylinder spring	37 Spool	52 Steel ball	67 Valve plate	88 Carrier NO.3	89-6 Spring pin NO.2	97 Cover
8 O-ring	23 Spacer	38 Screw	53 Stopper	68 Spring	88-1 Carrier NO.3	89-7 Sun gear NO.2	98 Thrust ring NO.2
9 Back up ring	24 Guide	39 Damping check	54 Plug	69 O-ring	88-2 Planetary gear NO.3	89-8 Snap ring NO.2	99 Bolt
10 Piston	25 Plate	40 Spring	55 O-ring	70 Socket bolt	88-3 Needle NO.3	90 Carrier NO.1	100 Motor ring
11 Shaft	26 Piston & Shoe assy	41 O-ring	56 Plug	71 Socket bolt	88-4 Thrust washer NO.3	90-1 Carrier NO.1	101 Thrust ring NO.3
12 Spacer	27 Plate	42 Plunger	57 Relief valve	72 Lock screw	88-5 Pin NO.3	90-2 Planetary gear NO.1	102 Thrust ring NO.1
13 Roller bearing	28 Plate	43 Spring	58 O-ring	73 Oil seal	88-6 Spring pin NO.3	90-3 Needle bearing NO.1	103 Pad
14 Stop ring	29 Brake	44 Stopper	59 Back up ring	74 Lock ring	88-7 Sun gear NO.3	90-4 Thrust washer NO.1	104 Thrust ring NO.2
15 Support	30 Ring	45 O-ring	60 Rod	81 T/Reduction gear	88-8 Snap ring NO.3	90-5 Pin NO.1	105 Coupling

2) TOOL AND TIGHTENING TORQUE

(1) Tools

Name of tools	B-size	Name of part applied
Hexagonal L-Wrench	4	Plug(2), Orifice screw(3, 4, 38)
	8	Hex socket bolt(50), Lock screw(62, 72), Plug(65)
	10	Hex socket bolt(49)
	46	Hex(57)
Socket wrench/spanner	19	Hp plug(54)
	24	Hex nut(63)
	27	Hp plug(56)
Snap-ring plier(for holes, axis)		Ring stop(14), Ring lock(74)
Solder hammer		Needle bearing(34), Pin(5, 6, 36)
Torque wrench		Size : 500, 3000
Jig for assembling oil seal		Oil seal(73)
Induction heating apparatus for bearing		Roller bearing(13)

(2) Tightening torque

NO.	Part name	Standard	Size	Torque	
				kgf · m	lbf · ft
2	Plug	NPTF 1/16	4	7~11	50.63~79.5
3, 4, 38	Orifice screw	NPTF 1/16	4	7	50.63
49	Hex socket bolt	M12	10	100	723.3
50	Hex socket bolt	M10	8	67	484.6
54	Plug	PF 1/4	19	37	267.6
56	Plug	PF 1/2	27	110	795.6
57	Relief valve	HEX 46	46	170~190	1230~1374
63	Nut	M16	24	240	1736
65	Plug	PF 3/8	8	75	542.4
70, 72	Hex socket bolt	M16	14	240	1736
71	Hex socket bolt	M16	14	240	1736

2. DISASSEMBLING

1) GENERAL INSTRUCTIONS

- (1) Generally, hydraulic equipment is precisely manufactured and clearances between each parts are very narrow. Therefore, disassembling and assembling works should be performed on the clean place where dusts hardly gather. Tools and kerosene to wash parts should also be clean and handled with great care.
 - (2) When motor is removed from the host machine, wash around the ports sufficiently and put the plugs so that no dust and/or water may invade. Take off these plugs just before the piping works when re-attach it to the host machine.
 - (3) Before disassembling, review the sectional drawing and prepare the required parts, depending on the purpose and the range of disassembling.
Seals, O-rings, etc., if once disassembled, are not reusable.
There are some parts that should be replaced as a subassembly.
Consult with the parts manual in advance.
 - (4) The piston can be inserted to whichever cylinder block for the initial assembling.
However, their combination should not be changed if they are once used. To reuse them, put the matching mark on both pistons and cylinder block before disassembling.
- ▲ Take great care not to pinch your hand between parts while disassembling nor let fall parts on your foot while lifting them.**

2) DISASSEMBLING TRAVEL MOTOR

(1) Fix a hydraulic motor on jig with four pieces of bolts(M16×60L).

- ※ When rotating jig up to 90° in disassembling and assembling, fix a motor making drain plug(56) faced to the bottom.



300072TM20

(2) After disassembling drain plug(56), let an oil in a case of a motor discharged.

- ※ Check whether manufactured chips or metal dust are added in a drain oil.



300072TM21

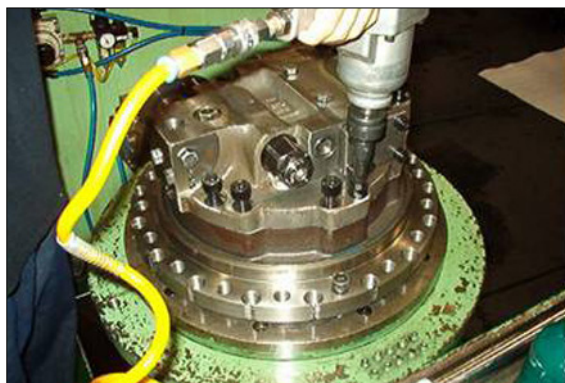
300072TM21A

(3) In order to making the out-put axis of a hydraulic motor faced upward, disassemble ring lock(74) with a plier after rotating jig up to 90° in disassembling and assembling.



300072TM22

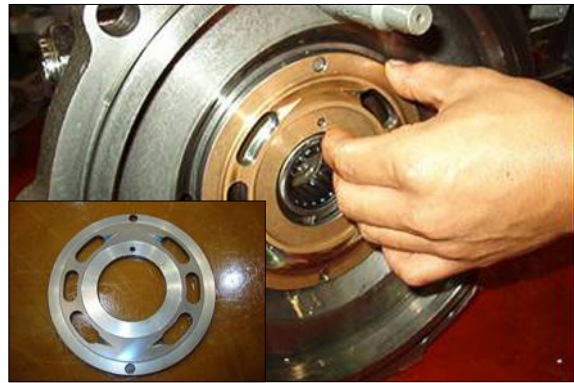
(4) Disassemble hexagon socket bolts(70, 71) holding valve casing.



300072TM23

(5) After detaching valve casing sub, disassemble valve plate(67).

※ In case of serious abrasion of valve plate, exchange it to a new one.

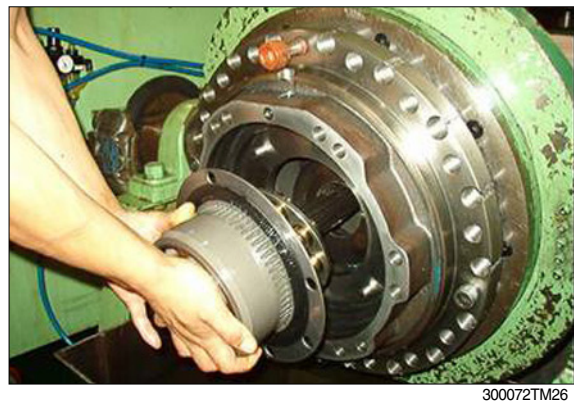


(6) After taking brake spring(32) and then bonding two pieces of M16 bolts to brake piston(29), disassemble it pulling it upward.

※ There are 10 pieces of brake spring.



(7) First, rotate jig in disassembling and assembling up to 90°, then let a motor faced toward the horizon. then disassemble a cylinder and piston sub.



(8) disassemble stopper L(18) and piston swash(17).

※ Piston swash : Use M5 bolt

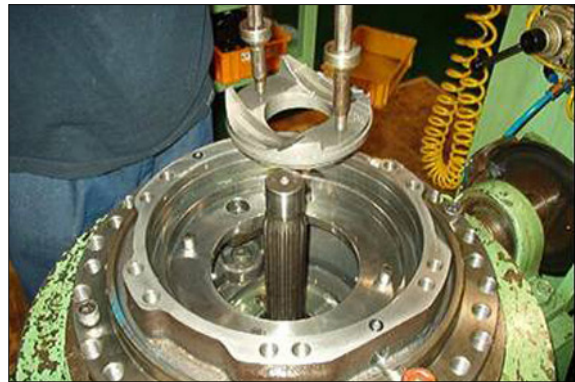


(9) Disassemble swash plate(16).



300072TM28

(10) After put M12 into support(15), disassemble support.



300072TM29

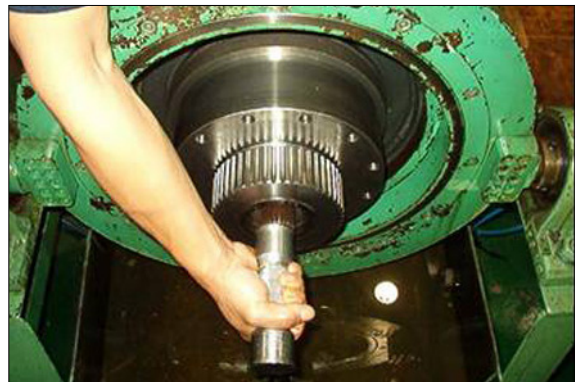
(11) disassemble piston swash(10) and stopper(7).



300072TM30

(12) In order to making the turning axis(11) faced upward, put it way from shaft casing tapping the bottom of the turning axis with hammer, after rotating jig up to 90° in disassembling and assembling.

※ Try to deal with roller bearing(13) without any damage.



300072TM31

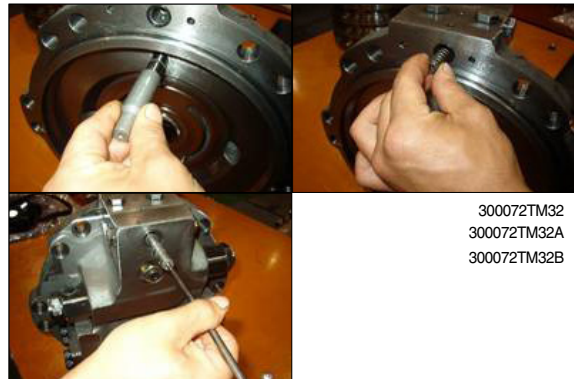
(13) Disassemble valve casing sub.

※ Try to deal with needle bearing(3) without any damage.

① Disassemble plowing road(60), automatic changeover spring(68), and automatic changeover spool(64).

※ Do not touch hexagon nut(63) for controlling the amount of an oil and lock screw(62).

If there is any abnormality on plowing spool and spring, exchange them to new ones.



② After unloading hexagon socket bolts(49, 50) and taking caps(47,48) away, disassemble parts of counter balance valve(37~46).

※ In disassembling counter balance valve, be careful of figuring out the directions such as the right or the left of finger.

If there is any abnormality in spool spring check, exchange it to new one.



(14) Disassemble cylinder sub.

- ① Disassemble set plate(25) and piston(26) sub.



300072TM34

- ② Disassemble friction plate(27) and lee plate(28) in cylinder block(21).



300072TM35

- ③ Dismantle ball guide(24), spacer(23), and cylinder spring(22).



300072TM36
300072TM36B
300072TM36A

3) ASSEMBLING TRAVEL MOTOR

(1) Assemble the sub of a turning axis.

① After assembling bearing spacer(12) into a turning axis(11), have cylinder roller bearing(13) thermal-reacted.

a. In the thermal reaction of cylinder roller bearing, use an induction heating apparatus and adjust the temperature as about 100°C.

b. Deal moisturized copper part oil seal in a turning axis without any damage of it.



(2) Assemble ring stop(14) with a plier.

※ Be careful of the direction of ring stop.

(The direction of round is the side of bearing)

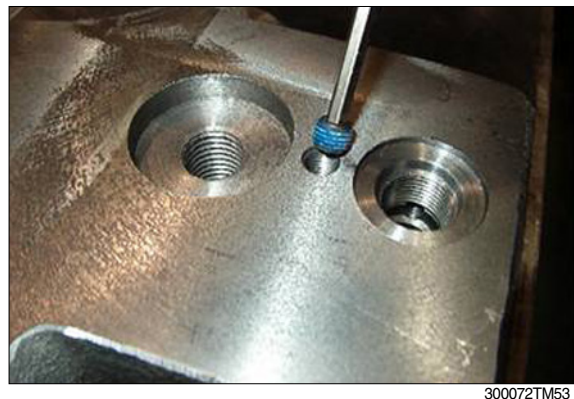


(3) Assemble valve casing sub.

① Bond seven pieces of plug(2) in valve casing(33) with standard torque.

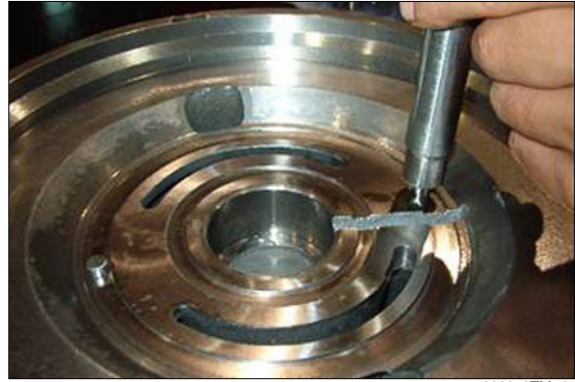
② After taping plug with seal taper and spread rock tight, assemble it.

· Tightening torque : 7~11kgf · m
(50.63~79.5lbf · ft)



(4) Compress pin(36) into.

- ※ Using a hammer, make the height of pin 5mm from the a contact surface of valve plate.



300072TM54

(5) Assemble needle bearing(34).



300072TM55

(6) Assemble seat(51), ball(52), stopper(53), and hp plug(54) with O-ring(55), respectively.

① Be careful of the procedure and direction of assembling seat and stopper.

- Tightening torque : 37kgf · m
(267.6lbf · ft)



300072TM56

300072TM56A

(7) Assemble hp plug(54) set up with O-ring(55).

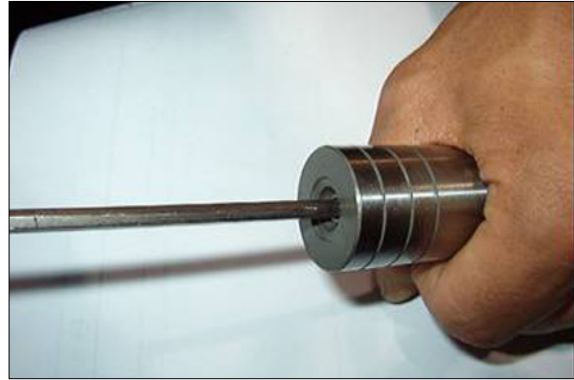
- 5sites
- Tightening torque : 37kgf · m
(267.6lbf · ft)



300072TM57

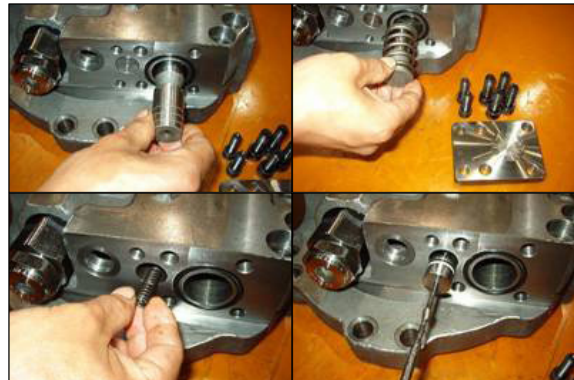
(8) Bond orifice screw(38) on the right and left side of spool c.b(37) with a standard torque.

- Tightening torque : 7kgf · m (50.63lbf · ft)



300072TM58

(9) Insert hold spool c.b(37) and damper check(39) into valve casing.



300072TM59
300072TM59B

300072TM59A
300072TM59C

(10) Bond cap R(47) and cap L(48) with hexagon socket bolts(49, 50).

① Remember not to exchange cap R, L each other in assembling.

Tightening torque

- M12 : 100kgf · m (item 49)
- M10 : 67kgf · m (item 50)



300072TM60

(11) After fastening with torque, insert automatic plowing spool(04), spring(68) and O-ring(69).

- Tightening torque : 75kgf · m (542.4lbf · ft)



300072TM61

300072TM61A

(12) Assemble swash road(60) inserted by O-ring(61).



300072TM62

(13) Insert O-ring(32) into valve casing.



300072TM63

(14) Bond drain plug(30) inserted by O-ring(31) with standard torque.

- Tightening torque : 100kgf · m
(723.3lbf · ft)

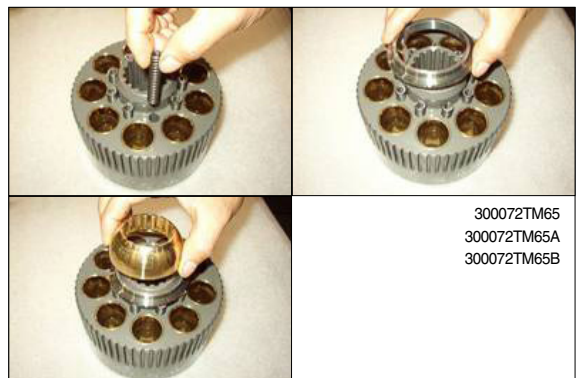


300072TM64

(15) Assemble cylinder sub.

- ① Assemble cylinder spring(22), spacer (23), and spherical surface bush(24) into cylinder(21).

Set the position of spline of spherical surface bush and cylinder.



300072TM65
300072TM65A
300072TM65B

(16) Assemble friction plate(27) and separated plate(28) into cylinder.



300072TM66

(17) After insert piston shoe(26) into set plate(25), assemble it into cylinder.



300072TM67

300072TM67A

(18) Using jig, compress oil seal(73) into shaft casing(01).



300072TM68

(19) Assemble the body of a motor.

① Bond seven piece of plug(02) in shaft casing plug with standard torque.

a. After taping plug with seal taper and spread rock tight, assemble it.

· Tightening torque : 7~11kgf · m
(50.63~79.5lbf · ft)



300072TM69

300072TM69A

(20) Using a hammer and a handle, compress pin(5, 6).

① Pin(5) : Set the height as 10mm from the contact surface of a plate supporter. - 2pieces.

Pin(6) : Set the height as 19mm from the manufactured surface of shaft casing. - 4pieces.



(21) Assemble sub of a turning axis.



(22) Assemble plate supporter(15) with M12 bolt.

※ Be careful of the direction of plate supporter driven.



(23) Assemble plate(16) into plate supporter.

① Spread grease in moisturized copper part of plate.

② Confirm the soft movement of plate.



(24) Assemble stopper L(36) combined by plowing piston(35) and O-ring(42).



(25) Rotating dismantling and assembling jig up to 90° make shaft from perpendicular to horizontal.

※ Be careful that plate is not segregated from plate supporter.



(26) Assemble cylinder sub.

※ Adjusting pin into holes of separated plate, assemble it.



(27) Rotating dismantling and assembling jig up to 90°, make the direction of shaft from the horizon to the perpendicular.



(28) Assemble piston ring(30), piston ring 252(30) and 278(31) into brake piston(29).



300072TM78

(29) Assemble brake piston into shaft casing.
※ Be careful of the direction of assembling brake piston.



300072TM79

(30) Assemble brake spring(32).
※ Quantity : Spring-10pieces, Holes-11pieces
※ Do not assemble on the top of brake piston.



300072TM80

(31) Insert O-ring(69), after fastening orifice screw(4) with standard torque.
· Quantity and size : (4)2 pieces- \varnothing 1.0
 (56)1pieces- \varnothing 1.5
· Tightening torque : 7kgf · m (50.63lbf · ft)



300072TM81

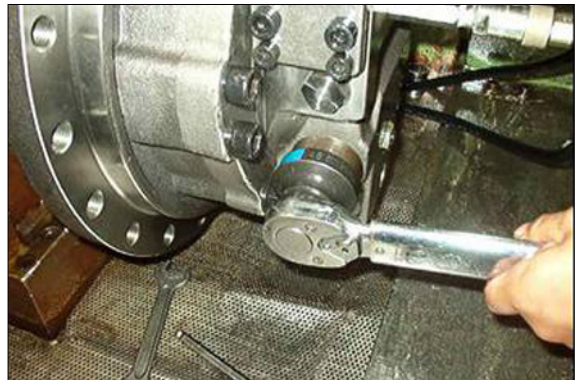
(32)After inserting valve plate(67) into valve casing, bond it into shaft casing with hexagon socket bolt(70).

- ① Spread grease on the back side of valve plate, in order for valve plate to be adhered well.
- ② Use a crane in assembling it into valve plate shaft casing.
- ③ Set holes, $\varnothing 5$, of valve plate heading toward the port of the inlet and outlet of valve casing.
- ④ Spread grease in the side of plowing spool of plowing spring in order that plowing spring can not be detached.
 - Tightening torque : 240kgf · m
(1736lbf · ft)
 - Tightening torque : 180 ± 10 kgf · m
(1302 ± 72.3 lbf · ft)



300072TM82

(33)Bond relief valve(57) with standard torque.



300072TM83

(34)Unloosen four pieces of bolts(M20 × 50L) fixing a motor and remove the motor away from jig.



300072TM84

3. DISASSEMBLING REDUCTION UNIT

1) Preparation for disassembling

- (1) The reduction units removed from excavator are usually covered with mud. Wash outside of propelling unit and dry it.
- (2) Locate reducer in order for drain port to be at the lowest level loosen taper screw plug of drain port, and drain oil from reduction gear.
 - ※ While oil is still hot, inside of the unit may be pressurized.
 - ▲ Take care of the hot oil gushing out of the unit when loosening the plug.
- (3) Mark for mating
Put marks on each mating parts when disassembling so as to reassemble correctly as before.

2) Setting reduction unit(or whole propelling unit) on work stand for disassembling

- (1) Remove hexagon socket head bolts(M10, 19) at 3 places from cover(17) almost equally each other, and then install eye bolts(M10).
Lift up the unit using them and place it on work stand with cover upward.
 - ※ Take great care not to pinch your hand between parts while disassembling nor let fall parts on your foot while lifting them.

3) Removing cover

- (1) Remove the rest of hexagon socket head bolts(M10, 19) that secure ring gear.
Loosen all the socket bolts and then, disassemble cover.
- (2) As the cover(17) is adhered to ring gear(14), disassemble ring gear(14) and cover(17) by lightly hammering slantwise upward using sharpen punch inserted between the cover and ring gear.



300078RD01

4) Removing NO.1 carrier sub assy

(1) Remove No.1 sun gear

- ※ Be sure to maintain it vertical with the ground when disassembling No.1 sun gear.



300078RD02

(2) Screw three eye bolt(M10, 15) in No.1 carrier and lift up and remove No.1 carrier assy.



300078RD03

5) Removing No. 2 carrier sub assy

(1) Remove No.2 sun gear

- ※ Be sure to maintain it vertical with the ground when disassembling No.2 sun gear.



300078RD04

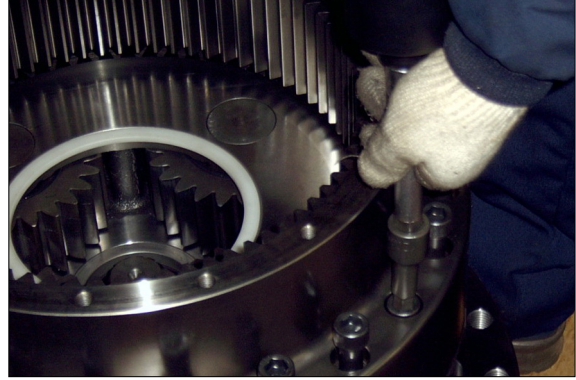
(2) Screw three M10 eye bolt in No.2 carrier and lift up and remove No.2 carrier assy.



300078RD05

6) Removing ring gear

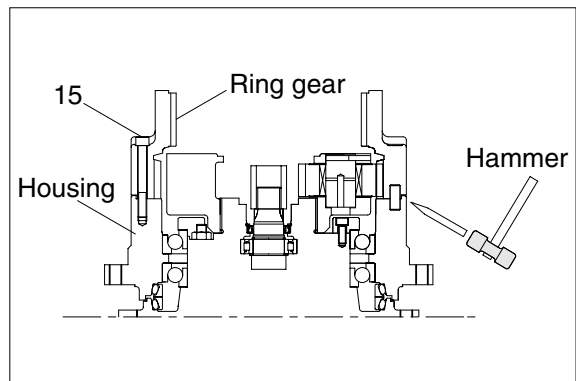
- (1) Remove hexagon socket head bolts(M14, 15) that secure ring gear and housing.



300078RD06

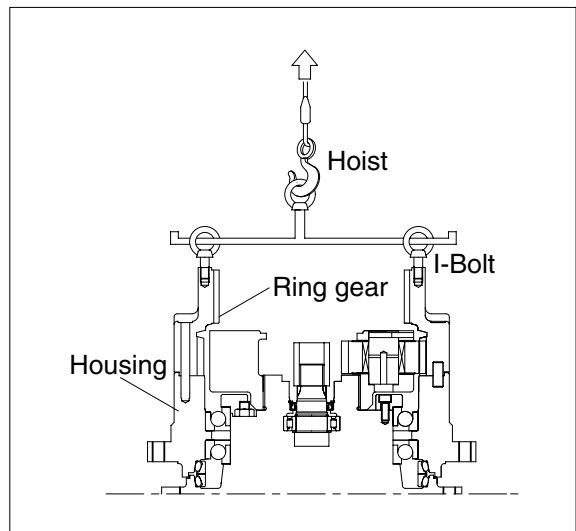
- (2) As the ring gear(14) is adhered to housing(3), disassemble ring gear(14) and housing(3) by lightly hammering slantwise upward using sharpen punch inserted between the ring gear and housing.

※ Carefully disassembling ring gear not to make scratch on it.



2907A8RD01

- (3) Screw three eye bolt(M10) in ring gear and lift up and remove it.



2907A8RD02

7) Remove No.3 carrier sub assy

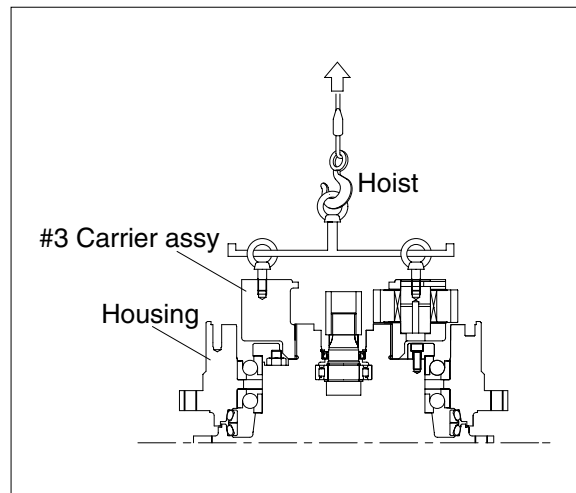
(1) Removing No.3 sun gear

- ※ Be sure to maintain it vertical with the ground when disassembling No.3 sun gear.



300078RD09

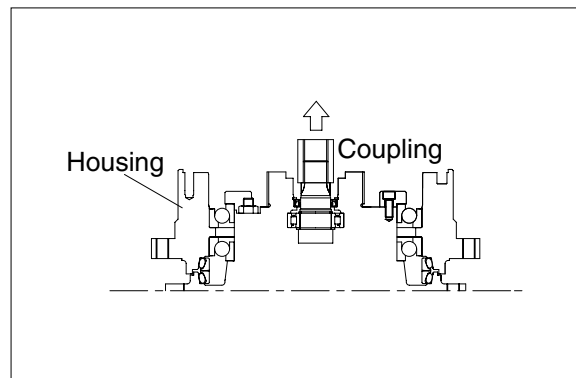
- ### (2) Screw three eye bolt(M10) in No.3 carrier and lift up and remove No.3 carrier assy.



2907A8RD03

8) Remove coupling

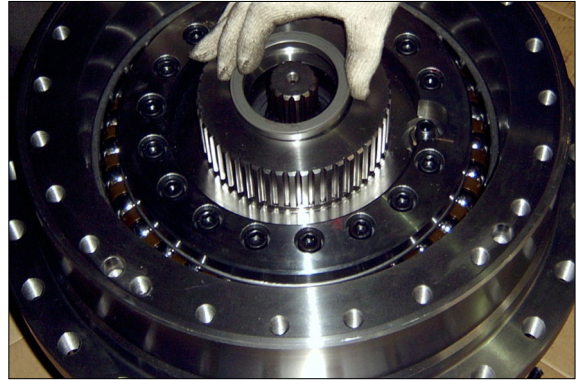
(1) Remove coupling



2907A8RD04

9) Remove motor ring

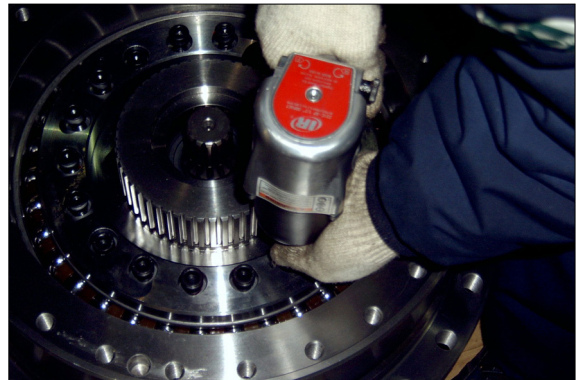
- (1) Remove motor ring using hand.



300078RD12

10) Removing retainer & shim

- (1) Remove hexagon socket(M12) head bolts that retainer and motor.
- (2) Remove retainer & shim.



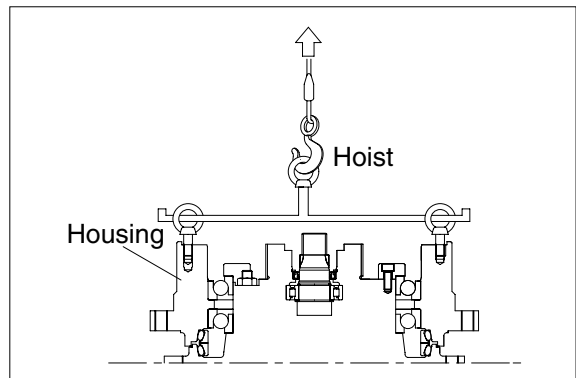
300078RD13

11) Removing housing sub assy

- (1) Screw eye bolt(M14) in housing and lift up housing assembly including angular bearing and floating seal.

12) Removing floating seal

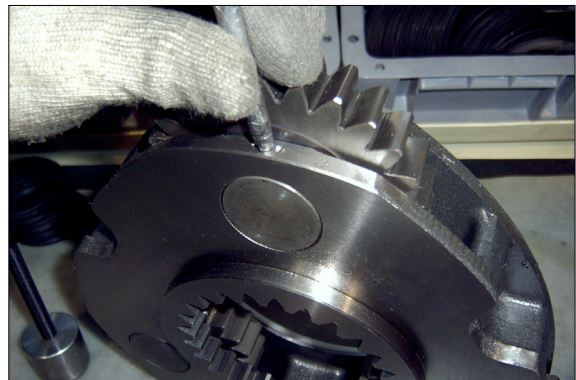
- (1) Lift up a piece of floating seal of motor side.



2907A8RD05

13) Disassembling housing assembly

- (1) After turning housing, lift up a piece of floating seal from housing and then remove it.
- ※ Don't disassemble angular bearing.



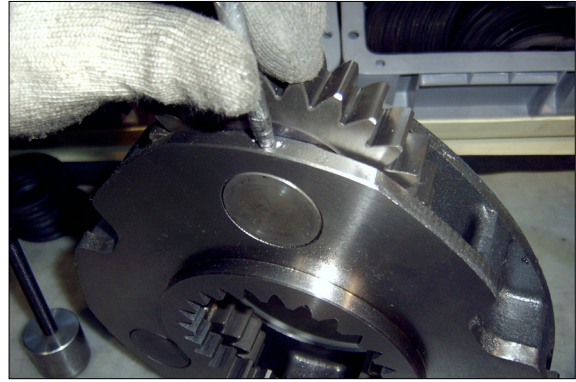
300078RD15

14) Disassembling No.1 carrier

- (1) Remove thrust ring(16) from carrier.
- (2) Knock spring pin(89-6) fully into No.1 pin(90-5).
- (3) Remove planetary, thrust washer, No.1 pin, bearing from carrier.

15) Disassembling No.2,3 carrier

- (1) Disassemble(14) carriers, using the same method for No.1 carrier assembly.



300078RD15

6. ASSEMBLING REDUCTION GEAR

- General precautions

Clean every part by kerosene and dry them by air blow.

Surfaces to be applied by locktite must be decreased by solvent.

Check every part for any abnormalities.

Each hexagon socket head bolt should be used with locktite No. 242 applied on its threads.

Apply gear oil slightly on each part before assembling.

Take great care not to pinch your hand between parts or tools while assembling nor let fall parts on your foot while lifting them.

Inspection before reassembling

Thrust washer

- Check if there are seizure, abnormal wear or uneven wear.
- Check if wear is over the allowable limit.

Gears

- Check if there are pitting or seizure on the tooth surface.
- Check if there are cracks on the root of tooth by die check.

Bearings

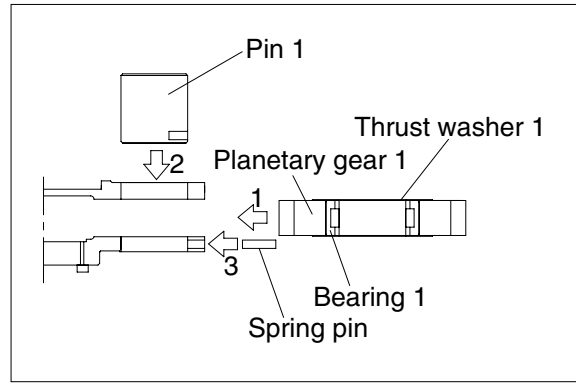
- Rotate by hand to see if there are something unusual such as noise or uneven rotation.

Floating seal

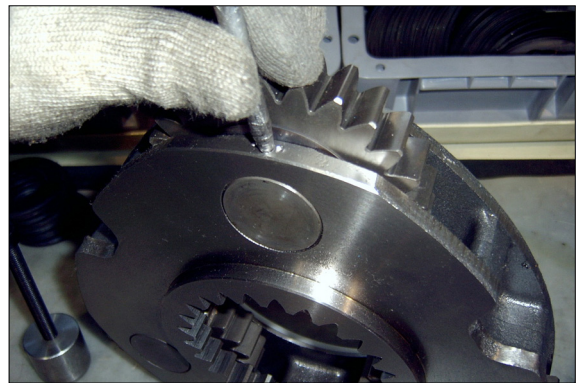
- Check flaw or score on sliding surface or on O-rings.

1) Assembling No.1 carrier

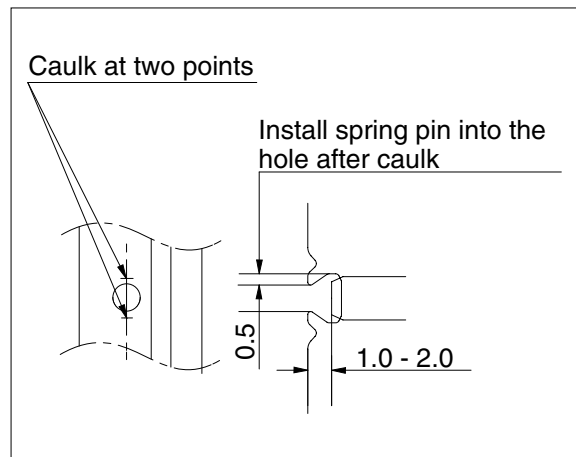
- (1) Put No.1 carrier(90-1) on a flat place.
- (2) Install No.1 needle bearing(90-3) into No.1 planetary gear(90-2), put 2 ea of No.1 thrust washer(90-4) on both sides of bearing, and then install it into carrier.
- (3) Install No.1 pin(90-5) into No.1 carrier where the holes for No.1 pin(90-5) are to be in line with those of No.1 carrier, and then, install spring pins into the holes.
- (4) Caulk carrier holes as shown on the picture.
- (5) Assembly ring thrust(96) into carrier.



2907A8RD06



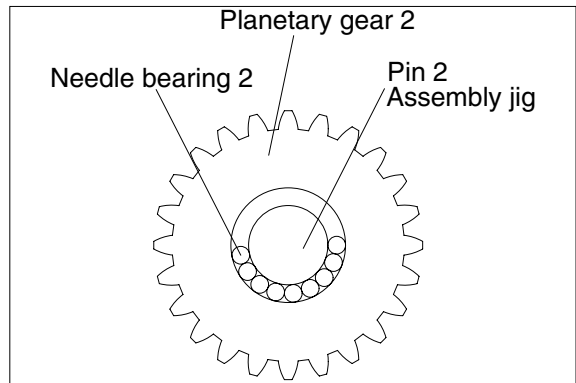
300078RD15



2907A8RD19

2) Assembling No.2 carrier

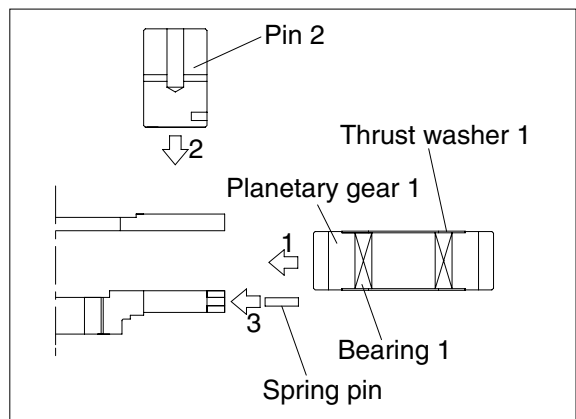
- (1) Make No.2 planetary gear(89-2) vertical, assemble 8-9 ea of No.2 needle(89-3), and then, assemble the remaining No.2 needle by use of the assembly jig for No.2 pin(89-5).
- (2) Remove out the assembly jig for No.2 pin and assemble 2 ea of No.2 thrust washer(89-4) into No.2 carrier(89-1).
- (3) Insert No.2 pin(89-5) into carrier where the holes of No.2 pin(89-5) are in line with those of carrier.
- (4) Hammer spring pin(89-6) to insert into carrier hole and No.2 pin hole, and then, caulk. Assemble 2 sets using the same method.
- (5) Assemble ring thrust(98) into carrier.



2907A8RD07

3) Assembling No.3 carrier

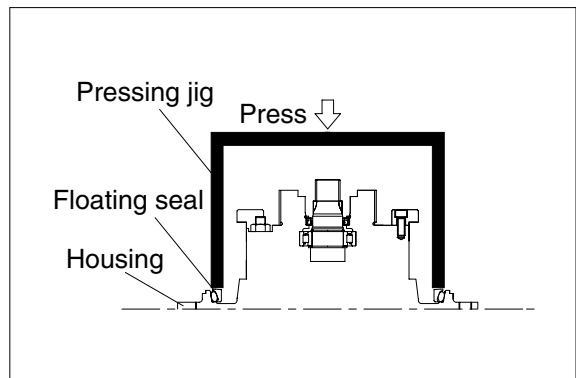
- (1) Assemble 4 sets, using the same method for assembly of No.2 carrier.



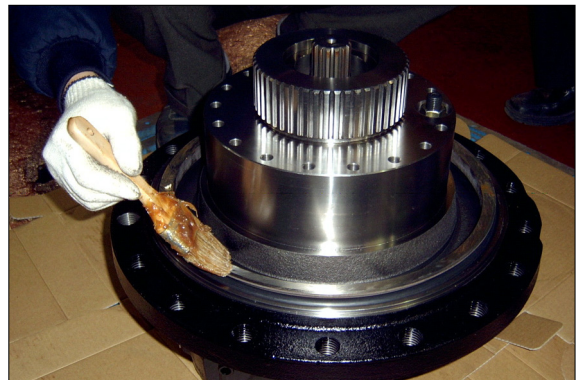
2907A8RD08

4) Installing floating seal

- (1) Assemble floating seal into motor by use of pressing jig.
- (2) Grease the contact parts for floating seal which is assembled into motor.



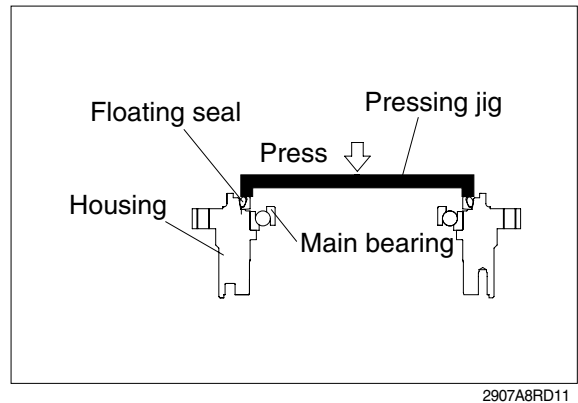
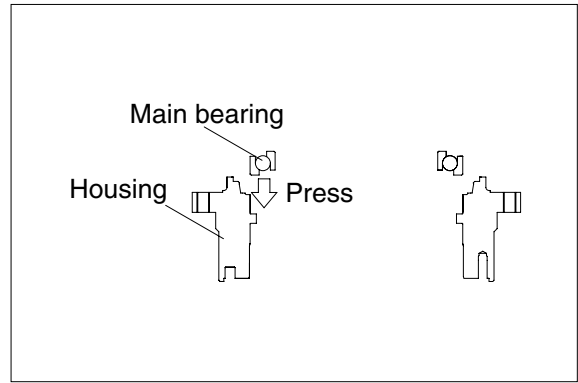
2907A8RD09



300078RD21

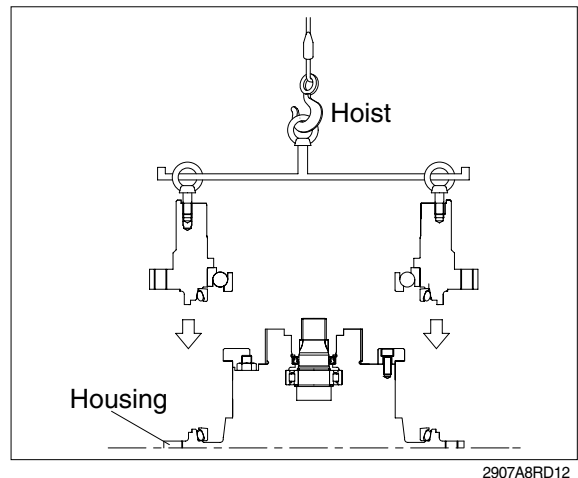
5) Assembling housing

- (1) Heat housing at 60~70°C while clearing it out and then, assemble bearing.
 - (2) Assemble floating seal into housing by use of pressing jig as shown on the picture.
- ※ Be sure to maintain it vertical with the ground when assembling bearing and floating seal.



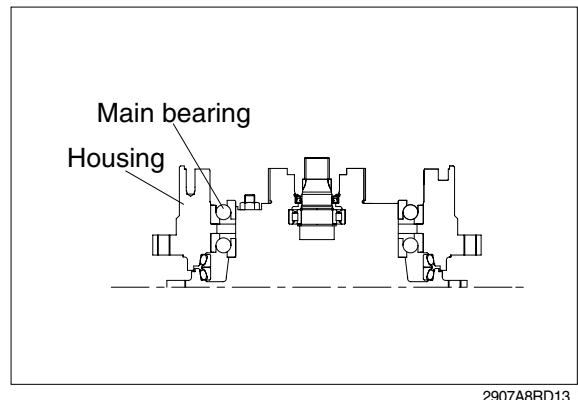
6) Installing housing assembly

- (1) Install 2 ea of eye bolt(M14) into housing assembly.
 - (2) Assemble housing into motor by use of hoist and eye bolt.
- ※ Be sure to tighten eye bolt deep enough.



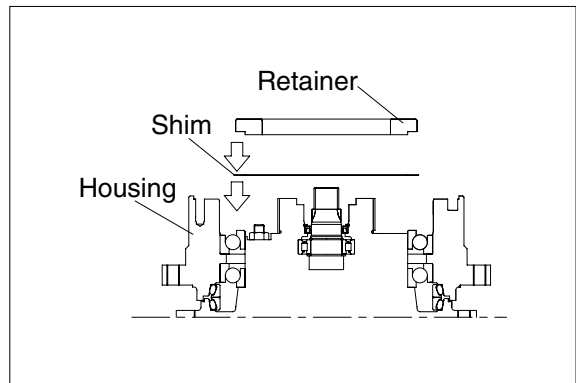
7) Installing main bearing

- (1) Heat main bearing at 60~70°C and then, install.
- ※ Be sure to maintain it vertical with the ground when assembling bearing.

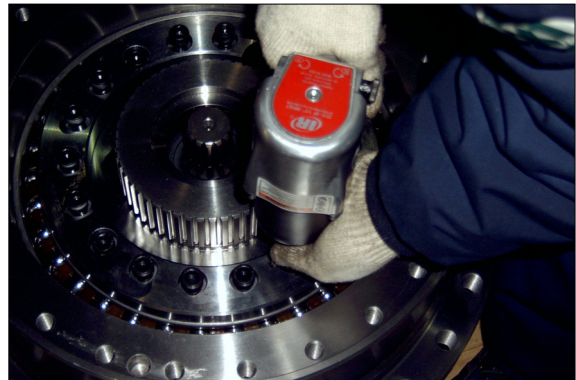


8) Installing retainer(86) and shim(85)

- (1) Measure clearance between main bearing and retainer by use of jig to decide the thickness of shim and select and appropriate shim, and then, assemble retainer.
- (2) Apply locktite(#242) on hexagon socket head bolt(M12), and then, bolt.



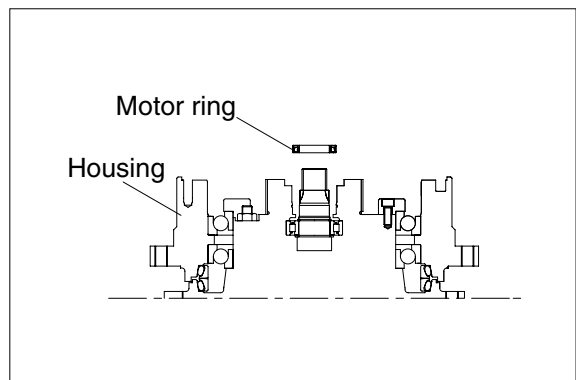
2907A8RD14



300078RD13

9) Installing motor ring

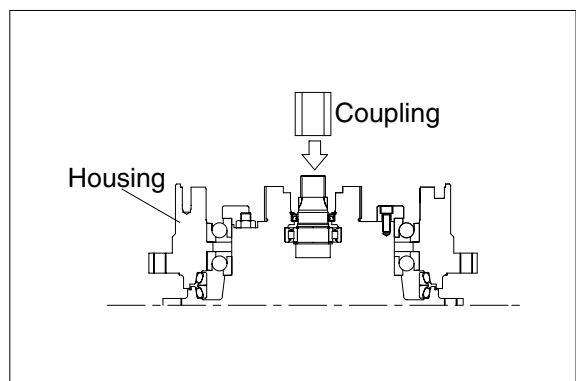
- (1) Insert motor ring into motor to install.



2907A8RD15

10) Installing coupling

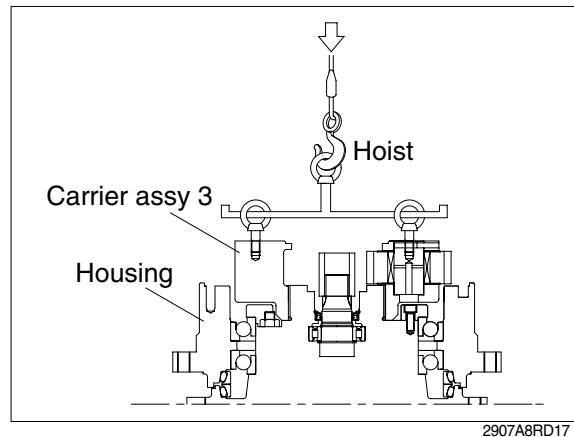
- (1) Install coupling on spline of the motor.



2907A8RD16

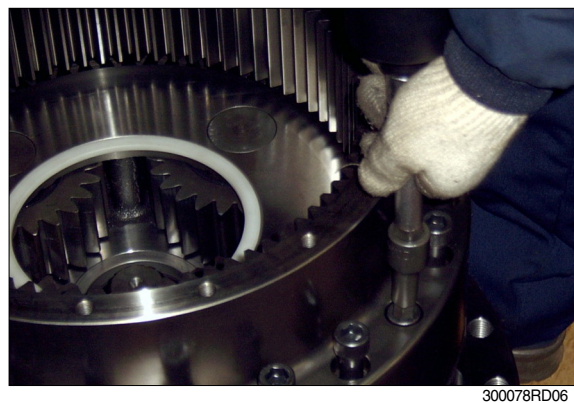
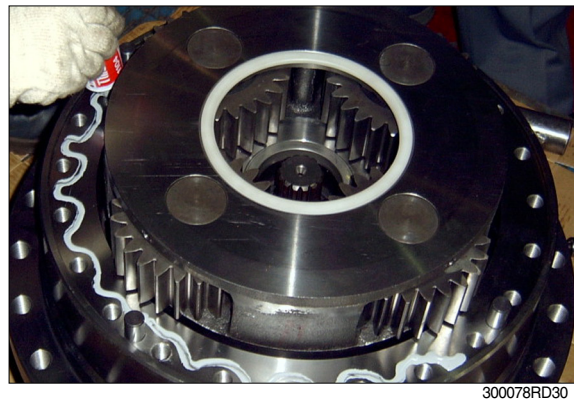
11) Installing No.3 carrier sub assy

- (1) Install eye bolt(M10) on No.3 carrier assembly.
- (2) Lift No.3 carrier assembly and then, assemble it into reducer.
- ※ Match it vertical with the spline of the motor and the, slowly lower.



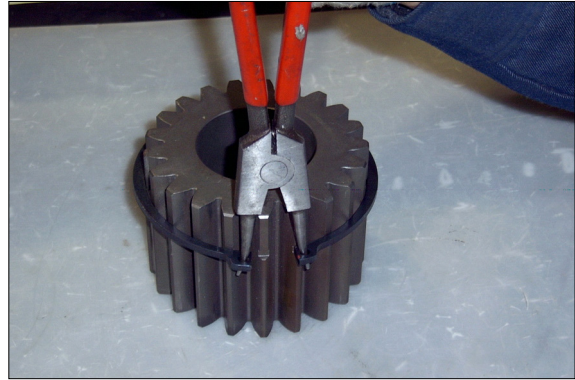
12) Installing ring gear

- (1) Apply three bond #1104(Locktite #515) on housing for ring gear without gap.
- (2) Insert lock pin into housing hole.
- (3) Install eye bolt(M12) on the tap for cover of ring gear.
- (4) Lift ring gear and then, assemble into housing.
- (5) Apply locktite to hexagon socket bolt(M14) and then, bolt, having appropriate torque.



13) Installing No.3 sun gear(88-7)

- (1) Install snap ring(88-8) in No.3 sun gear(88-7) by use if snap ring flier.
- (2) Install No.3 sun gear on the spline of No.3 carrier, matching teeth of them.



300078RD32



300078RD09

14) Installing No.2 carrier sub assy

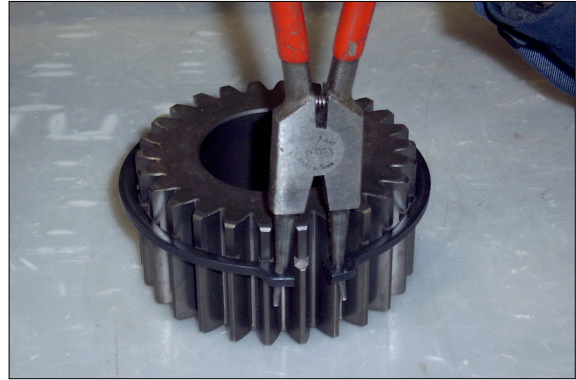
- (1) Install eye bolt(M10) on No.2 carrier assembly.
- (2) Lift No.2 carrier assembly and then, slowly put it down on ring gear.
- (3) Rotate planetary gear by hands and install in ring gear.



300078RD05

15) Installing No.2 sun gear(89-7)

- (1) Install snap ring(89-8) on No.2 sun gear(89-7) by use of snap ring flier.
- (2) Install No.2 sun gear on the spline of No.2 carrier and No.2 planetary gear, matching teeth of them.



300078RD33



300078RD04

16) Installing No.1 carrier sub assy

- (1) Install eye bolt(M10) on No.1 carrier assembly.
- (2) Lift No.1 carrier assembly and then, put it down on ring gear slowly.
- (3) Rotate planetary gear by hands to install on ring gear, matching their teeth.



300078RD03

17) Installing No.1 sun gear(91)

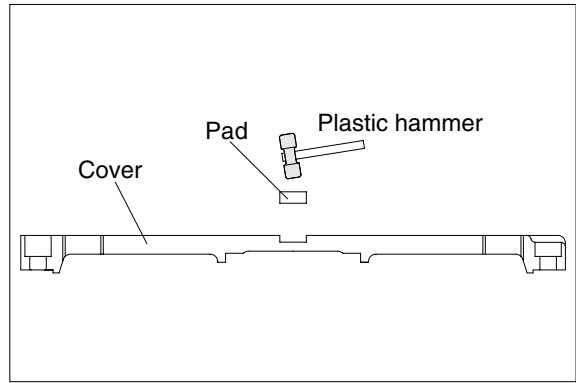
- (1) Put down No.1 sun gear on No.1 carrier, maintaining it vertical with spline of coupling.
- (2) Install No.1 sun gear on No.1 planetary gear, matching their teeth.



300078RD02

18) Installing cover(97)

- (1) Beat pad with plastic hammer, and press it into the center of cover.
- (2) Apply three bond #104(locktite #515) on the ring gear for without gap.
- (3) Put cover on ring gear, apply locktite(#242) in hexagon socket head bolt(M10), and then, bolt.
- (4) Fill gear oil(8L) into drain port.
- (5) Apply sealing tape(teflon) on PT3/4 plug and then, bolt.



2908ARD18



300078RD35