

GROUP 4 CONNECTORS

1. CONNECTOR DESTINATION

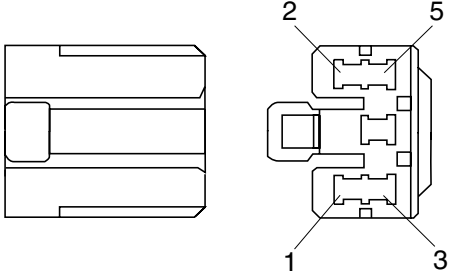
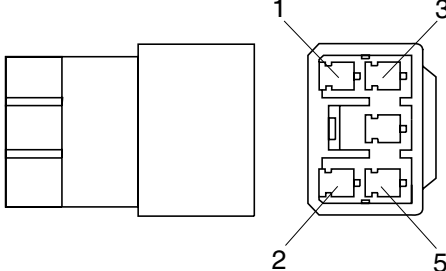
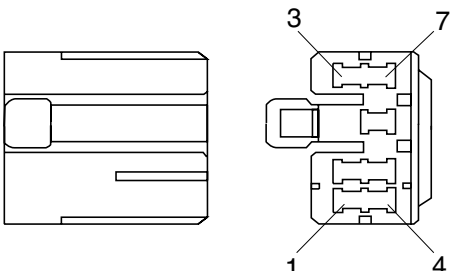
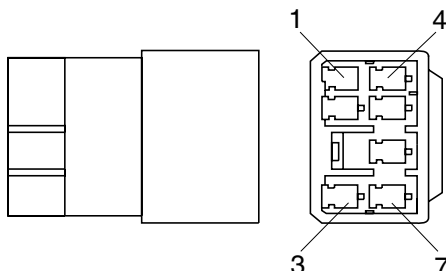
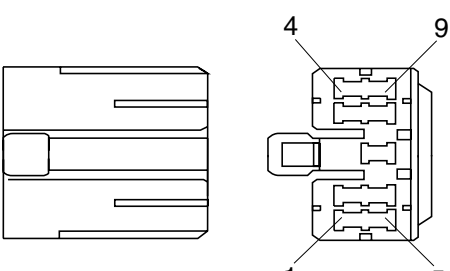
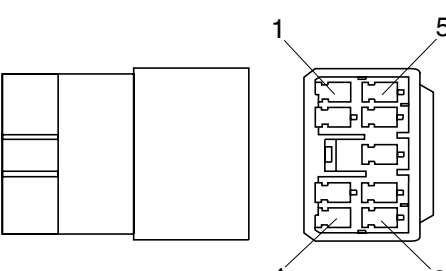
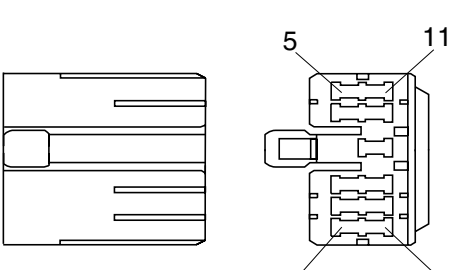
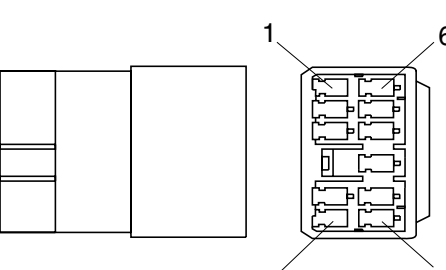
| Connector number | Type | No. of pin | Destination | Connector part No. | |
|------------------|-------------|------------|---------------------------------------|--------------------|--------------|
| | | | | Female | Male |
| CN-1 | Econoseal J | 6 | l/conn(Engine harness 2-main harness) | S816-006002 | S816-106002 |
| CN-2 | Econoseal J | 12 | l/conn(Engine harness 2-main harness) | S816-012002 | S816-112002 |
| CN-3 | Econoseal J | 4 | l/conn(Engine harness 1-main harness) | S816-004002 | S816-104002 |
| CN-4 | Econoseal J | 8 | l/conn(Wire harness LH-frame harness) | S816-008002 | S816-108002 |
| CN-5 | Econoseal J | 15 | l/conn(Side harness RH-frame harness) | 2-85262-1 | 368301-1 |
| CN-6 | Econoseal J | 12 | l/conn(Side harness RH-frame harness) | S816-012002 | S816-112002 |
| CN-7 | Econoseal J | 12 | l/conn(Wire harness RH-frame harness) | 2-85262-1 | 368301-1 |
| CN-8 | Econoseal J | 12 | l/conn(Wire harness RH-frame harness) | S816-012002 | S816-112002 |
| CN-9 | Econoseal J | 8 | l/conn(Wire harness RH-frame harness) | S816-008002 | S816-108002 |
| CN-10 | DEUTSCH | 12 | l/conn(Cab harness-frame harness) | DT06S-12S | DT04-12P |
| CN-11 | DEUTSCH | 8 | Air-con harness | DT06-8S | - |
| CN-12 | DEUTSCH | 2 | Boom wire harness | DT06-2S-P012 | DT04-2P-P012 |
| CN-15 | KET | 2 | 2pcs auto idle pressure | S814-002100 | S814-102100 |
| CN-20 | MOLEX | 2 | Horn | 36825-0211 | - |
| CN-21 | AMP | 6 | Wiper motor | 925276-0 | - |
| CN-22 | KET | 2 | Washer tank | MG640605 | - |
| CN-23 | KET | 2 | Speaker-LH | MG610070 | - |
| CN-24 | KET | 2 | Speaker-RH | MG610070 | - |
| CN-25 | MOLEX | 2 | Horn | 36825-0211 | - |
| CN-27 | AMP | 14 | Cassette radio | 173852 | - |
| CN-28 | MWP | 1 | AC compressor | NMWP01F-B | - |
| CN-29 | KET | 2 | Receiver dryer | MG640795 | - |
| CN-36 | DEUTSCH | 3 | Fuse box | 21N8-20041 | - |
| CN-45 | RING-TERM | - | Start motor B ⁺ | ST710264-2 | - |
| CN-47 | AMP | 2 | Resistor | S810-002202 | - |
| CN-48 | AMP | 2 | Hour meter | S810-002202 | - |
| CN-50 | AMP | 36 | CPU controller | 3441110 | - |
| CN-51 | AMP | 36 | CPU controller | 3441110 | - |
| CN-56 | DEUTSCH | 4 | Cluster | - | DT04-4P |
| CN-60 | PLUG | 2 | Battery relay contact | - | 7122-4125-50 |
| CN-61 | DEUTSCH | 2 | Fuel filler pump | DT06-2S-P012 | - |
| CN-66 | DEUTSCH | 2 | Breaker solenoid | DT06-2S-P012 | DT04-2P-P012 |
| CN-68 | DEUTSCH | 2 | Safety solenoid | DT06-2S-P012 | DT04-2P-P012 |
| CN-70 | DEUTSCH | 2 | Travel solenoid | DT06-2S-P012 | - |
| CN-74 | RING-TERM | - | Alternator "I" term | S820-105000 | - |

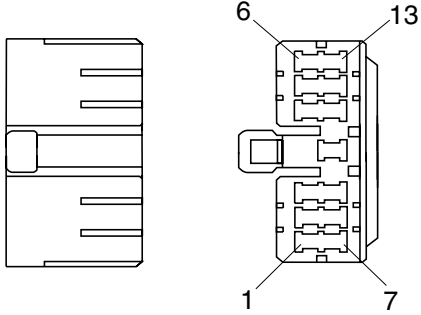
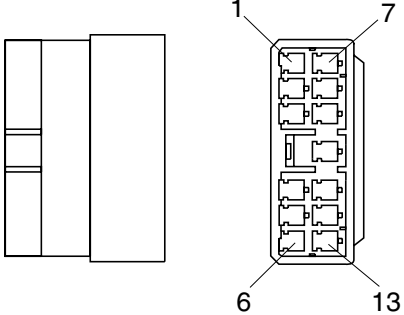
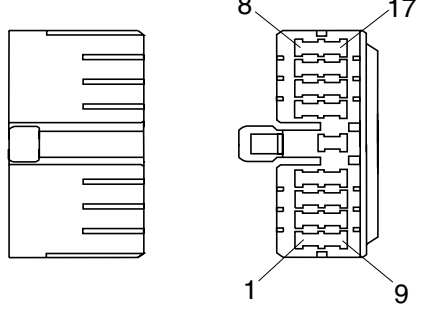
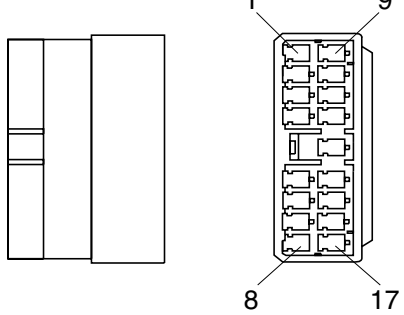
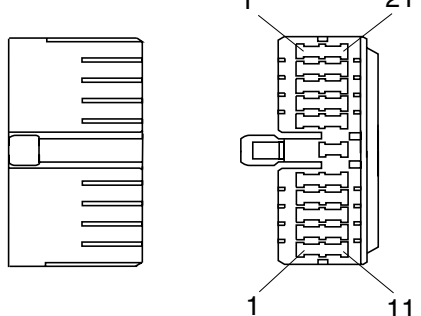
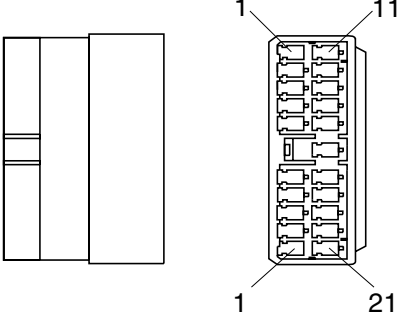
| Connector number | Type | No. of pin | Destination | Connector part No. | |
|------------------|-----------|------------|------------------------------|--------------------|--------------|
| | | | | Female | Male |
| CN-75 | AMP | 2 | EPPR valve | S816-002002 | - |
| CN-76 | DEUTSCH | 6 | DC motor | DT06-6S-EP06 | - |
| CN-78 | AMP | 1 | Ether | S822-014002 | S822-114002 |
| CN-79 | PACKARD | 3 | Fuel cut off | S818-020311 | - |
| CN-81 | DEUTSCH | 2 | Travel buzzer solenoid | DT06-2S-P012 | - |
| CN-88 | DEUTSCH | 2 | Power max solenoid | DT06-2S-P012 | - |
| CN-95 | PLUG | 2 | Battery relay contact | S813-130200 | - |
| CN-116 | PA | 17 | Switch panel | S811-017002 | - |
| CN-125 | AMP | 4 | GPS | S816-004002 | S816-104002 |
| CN-126 | DEUTSCH | 4 | RS 232 connector | DT06-4S-P012 | DT04-4P-E004 |
| CN-133 | DEUTSCH | 2 | Boom priority | DT06-6S-EP06 | - |
| CN-137 | DEUTSCH | 2 | Max flow | DT06-6S-EP06 | - |
| CN-138 | DEUTSCH | 3 | DC/DC converter | DT06-3S | DT04-2P |
| CN-139 | DEUTSCH | 2 | 12V socket | - | - |
| CN-140 | DEUTSCH | 2 | Quick coupling solenoid | DT06-2S-P012 | DT04-2P-P012 |
| CN-141 | AMP | 13 | Wiper motor controller | 142176-2 | - |
| CN-142 | DEUTSCH | 3 | Accel dial | DT06-3S | - |
| CN-143 | KET | 12 | Cassette radio(With remocon) | MG610406 | - |
| CN-144 | AMP | 12 | Remocon-cassette radio | 174045-2 | - |
| · Relay | | | | S820-104002 | |
| CR-1 | RING-TERM | - | Battery relay | - | - |
| CR-23 | RING-TERM | 2 | Start relay | ST710095-3 | - |
| · Switch | | | | - | |
| CS-1 | SHUR | 1 | Door switch | S822-014004 | - |
| CS-2 | SWP | 6 | Start key switch | S814-006000 | - |
| CS-4 | DEUTSCH | 3 | Safety switch 1 | DT06-3S | DT04-2PS |
| CS-5 | DEUTSCH | 1 | Horn switch | - | - |
| CS-7 | DEUTSCH | 6 | Prolix switch | DT06-6S | - |
| CS-19 | DEUTSCH | 2 | One touch decel | DT06-2S | - |
| CS-20 | SHUR-PLUG | 1 | Safety switch 2 | S822-013000 | S822-113000 |
| CS-23 | SWF | 10 | Beacon lamp switch | SWF 593757 | - |
| CS-26 | DEUTSCH | 1 | Breaker switch | DT06-2S | - |
| CS-27 | SWF | 10 | Breaker switch | SWF 593757 | DT04-2P |
| CS-29 | DEUTSCH | 2 | Powe max switch | - | - |
| CS-50 | SWF | 10 | Overload switch | SWF 593757 | - |
| CS-52 | SWF | 10 | Boom damping switch | SWF 593757 | - |
| CS-53 | SHUR | 1 | Wiper cut switch | S822-014002 | - |
| CS-54 | SWF | 10 | Spear switch | SWF 593757 | S820-205002 |
| CS-60 | RING-TERM | - | Reset button | - | S820-305002 |

| Connector number | Type | No. of pin | Destination | Connector part No. | |
|------------------|-----------|------------|----------------------------|--------------------|--------------|
| | | | | Female | Male |
| CS-61 | RING-TERM | - | Reset button | - | - |
| CS-67 | SWF | 10 | Quick coupling switch | S822-013000 | S822-73000 |
| · Light | | | | | |
| CL-1 | KET | 2 | Room lamp | MG 610406 | - |
| CL-2 | AMP | 1 | Cigar light | S822-014002 | - |
| CL-4 | DEUTSCH | 2 | Head lamp | - | DT04-2P-P012 |
| CL-5 | DEUTSCH | 2 | Work lamp-LH | - | DT04-2P |
| CL-6 | DEUTSCH | 2 | Work lamp-RH | - | DT04-2P |
| CL-7 | SHUR | 1 | Beacon lamp | S822-014004 | S822-114004 |
| CL-8 | DEUTSCH | 2 | Cab light-LH | - | DT04-2P |
| CL-9 | DEUTSCH | 2 | Cab light-RH | - | DT04-2P |
| · Sensor, sendor | | | | | |
| CD-1 | AMP | 2 | Hydraulic oil temp sender | 85202-1 | - |
| CD-2 | DEUTSCH | 2 | Fuel sender | DT06-2S-P012 | - |
| CD-6 | KET | 2 | Travel pressure switch | MG 640795 | - |
| CD-7 | KET | 2 | Working pressure switch | MG 640795 | - |
| CD-8 | AMP | 2 | Water temp sender | 85202-1 | - |
| CD-10 | RING-TERM | - | Air cleaner switch | - | S820-104002 |
| CD-17 | PACKARD | 2 | Tachosensor | - | S818-120221 |
| CD-18 | RING-TERM | 1 | Engine oil pressure switch | - | S820-104000 |
| CD-31 | DEUTSCH | 2 | Overload pressure switch | DT06-2S-P012 | DT04-2P-P012 |
| CD-42 | AMP | 3 | Pump pressure 1 | S816-003002 | - |
| CD-43 | AMP | 3 | Pump pressure 2 | S816-003002 | - |
| CD-44 | AMP | 3 | Pump pressure 3 | S816-003002 | - |

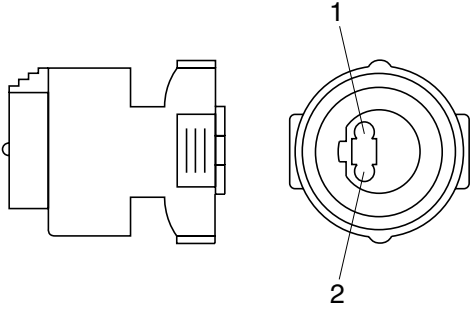
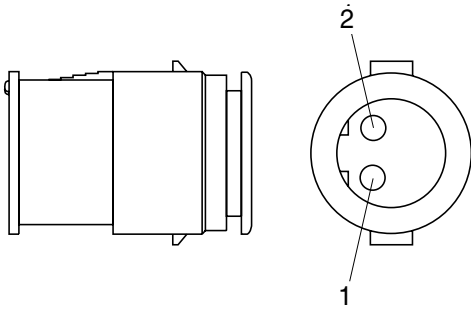
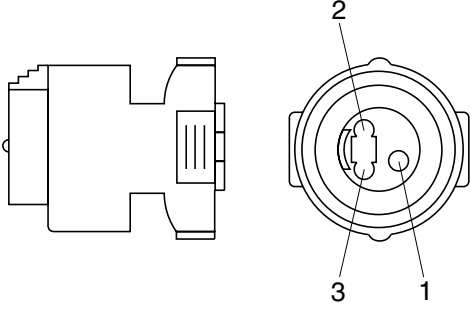
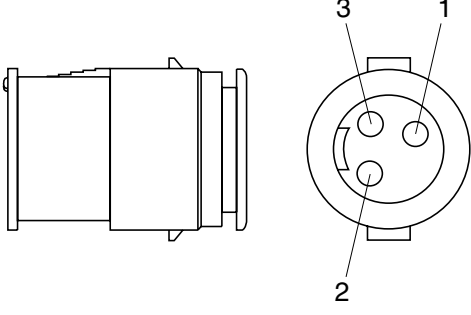
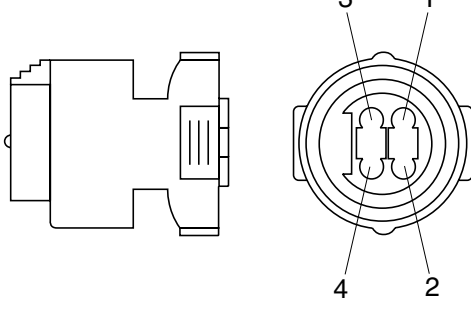
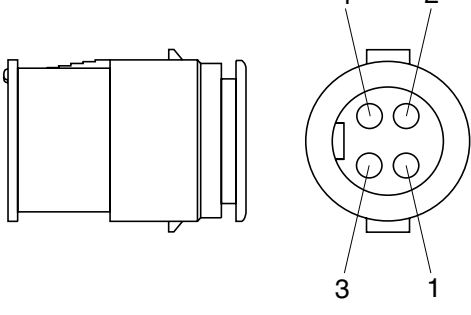
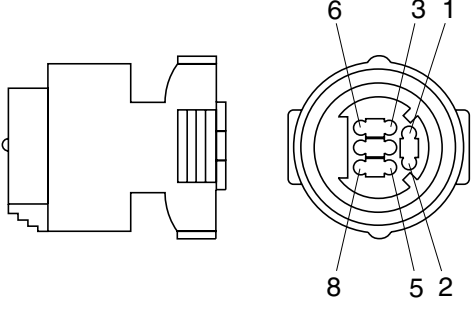
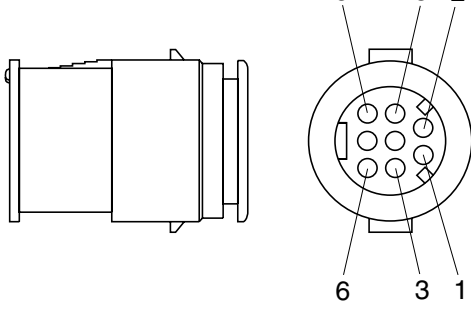
2. CONNECTION TABLE FOR CONNECTORS

1) PA TYPE CONNECTOR

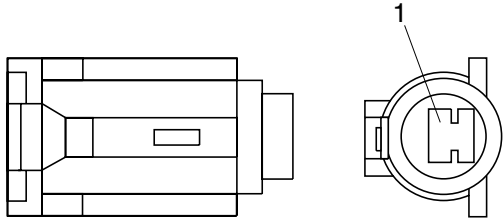
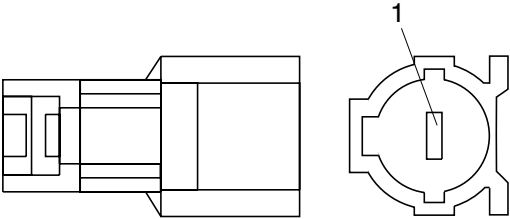
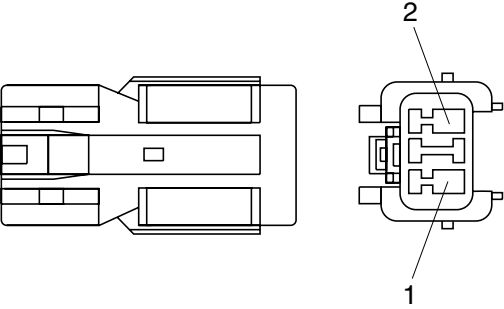
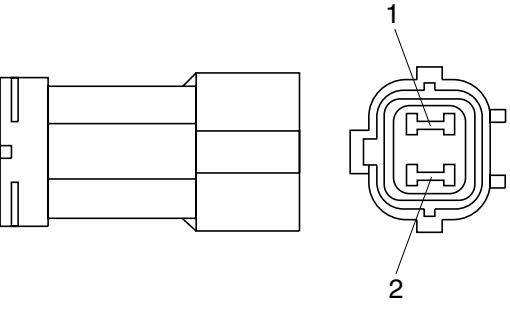
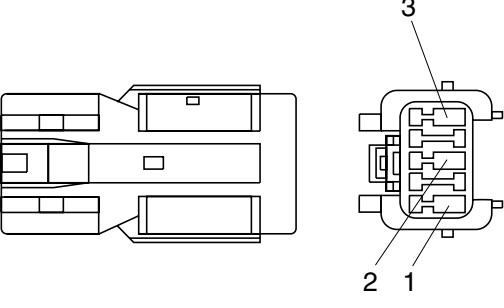
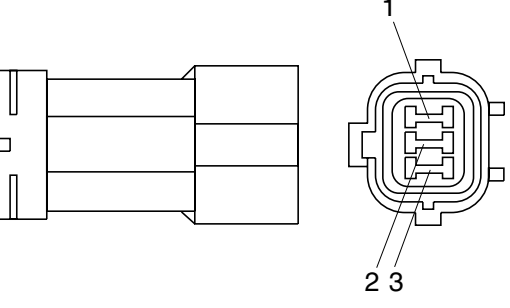
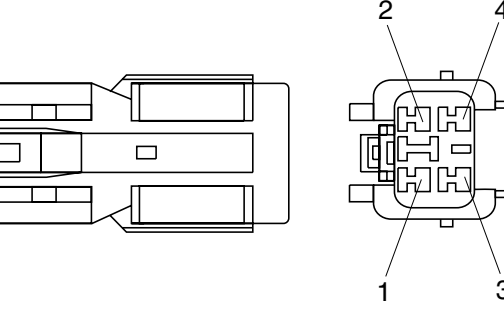
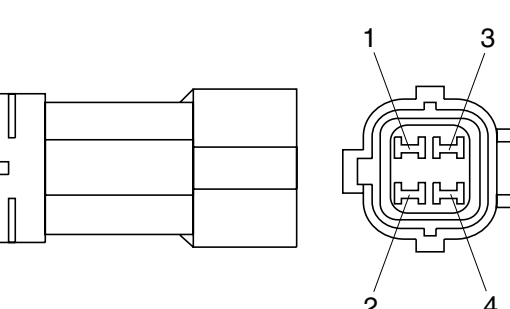
| No. of pin | Receptacle connector(Female) | Plug connector(Male) |
|------------|--|--|
| 5 |  <p style="text-align: center;">S811-005002</p> |  <p style="text-align: center;">S811-105002</p> |
| 7 |  <p style="text-align: center;">S811-007002</p> |  <p style="text-align: center;">S811-107002</p> |
| 9 |  <p style="text-align: center;">S811-009002</p> |  <p style="text-align: center;">3S811-109002</p> |
| 11 |  <p style="text-align: center;">S811-011002</p> |  <p style="text-align: center;">S811-111002</p> |

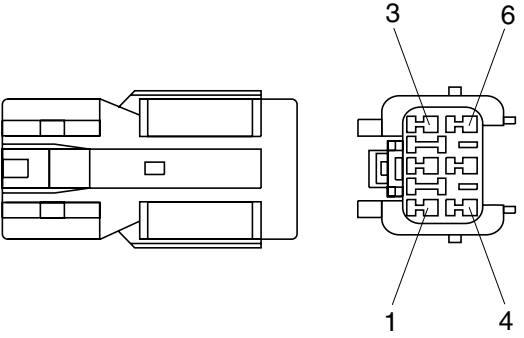
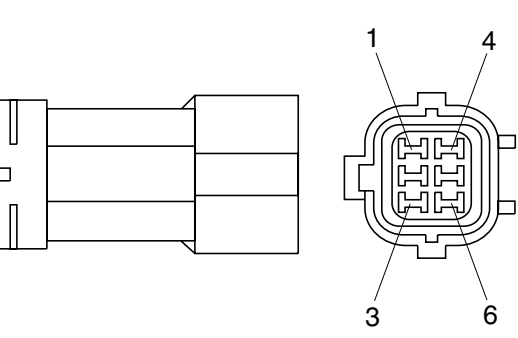
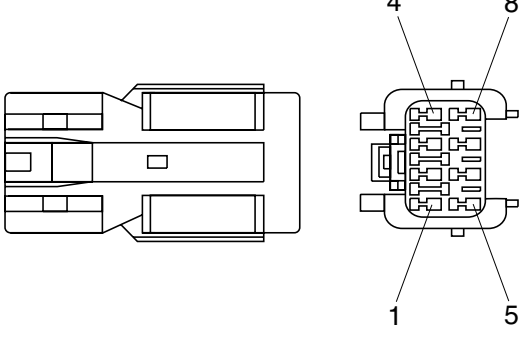
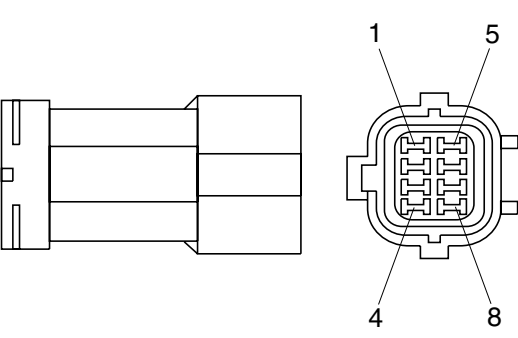
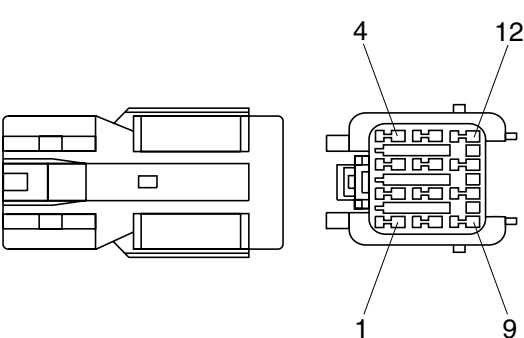
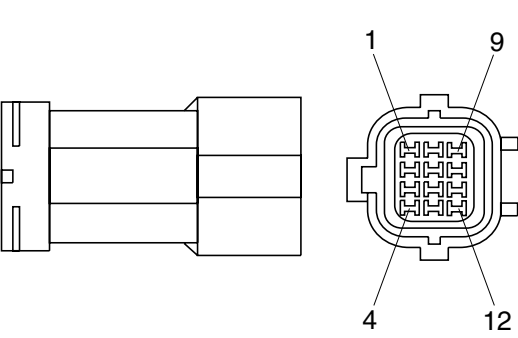
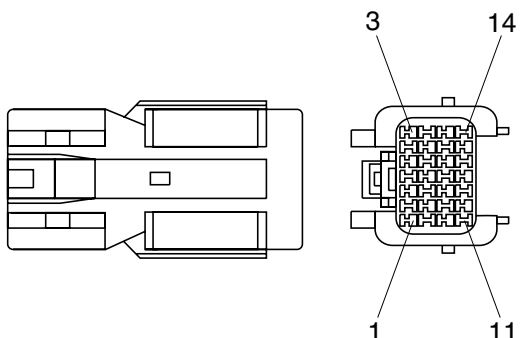
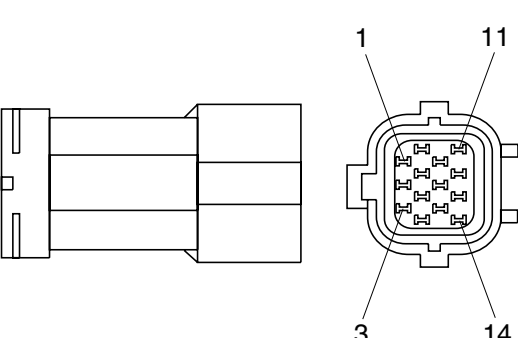
| No. of pin | Receptacle connector(Female) | Plug connector(Male) |
|------------|--|---|
| 13 |  <p style="text-align: center;">S811-013002</p> |  <p style="text-align: center;">S811-113002</p> |
| 17 |  <p style="text-align: center;">S811-017002</p> |  <p style="text-align: center;">S811-117002</p> |
| 21 |  <p style="text-align: center;">S811-021002</p> |  <p style="text-align: center;">S811-121002</p> |
| | | |

2) J TYPE CONNECTOR

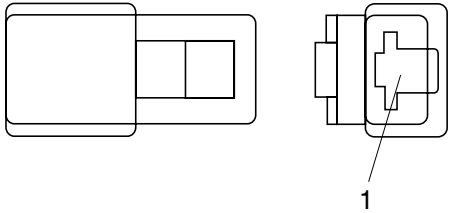
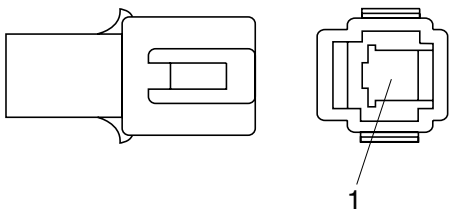
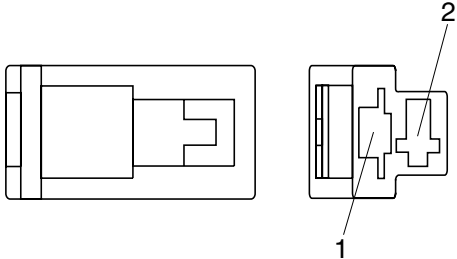
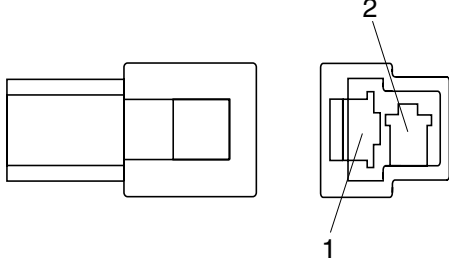
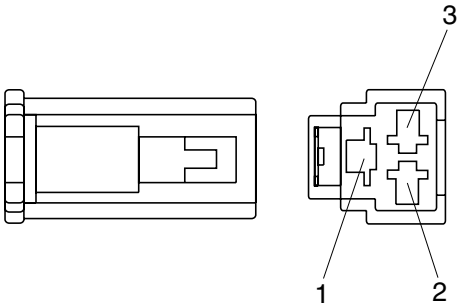
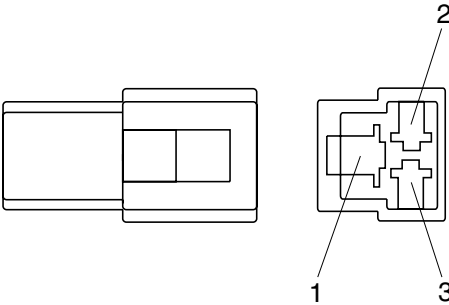
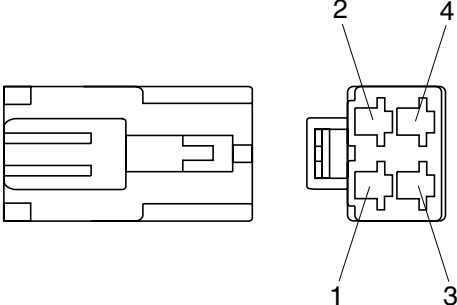
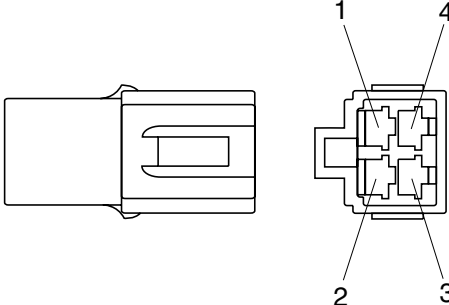
| No. of pin | Receptacle connector(Female) | Plug connector(Male) |
|------------|--|---|
| 2 |  <p style="text-align: center;">S816-002001</p> |  <p style="text-align: center;">S816-102001</p> |
| 3 |  <p style="text-align: center;">S816-003001</p> |  <p style="text-align: center;">S816-103001</p> |
| 4 |  <p style="text-align: center;">S816-004001</p> |  <p style="text-align: center;">S816-104001</p> |
| 8 |  <p style="text-align: center;">S816-008001</p> |  <p style="text-align: center;">S816-108001</p> |

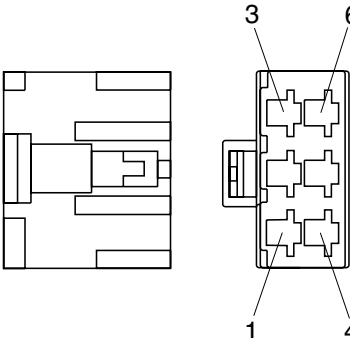
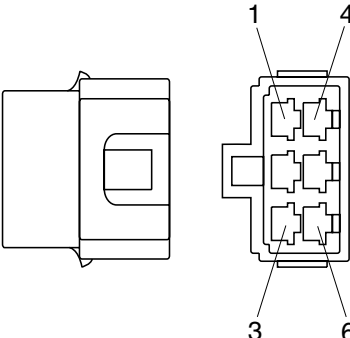
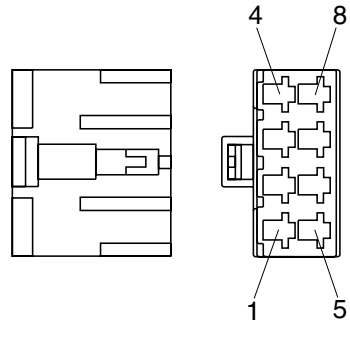
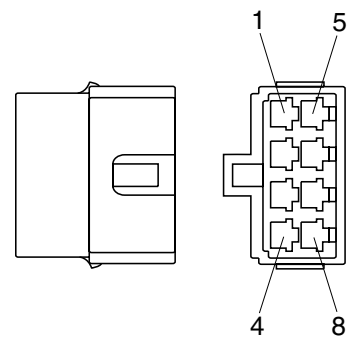
3) SWP TYPE CONNECTOR

| No. of pin | Receptacle connector(Female) | Plug connector(Male) |
|------------|--|---|
| 1 |  <p data-bbox="689 674 837 703">S814-001000</p> |  <p data-bbox="1246 674 1394 703">S814-101000</p> |
| 2 |  <p data-bbox="689 1077 837 1106">S814-002000</p> |  <p data-bbox="1246 1077 1394 1106">S814-102000</p> |
| 3 |  <p data-bbox="689 1487 837 1516">S814-003000</p> |  <p data-bbox="1246 1487 1394 1516">S814-103000</p> |
| 4 |  <p data-bbox="689 1895 837 1924">S814-004000</p> |  <p data-bbox="1246 1895 1394 1924">S814-104000</p> |

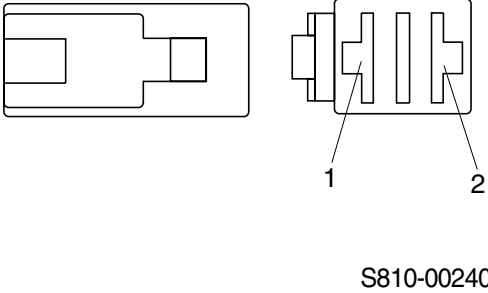
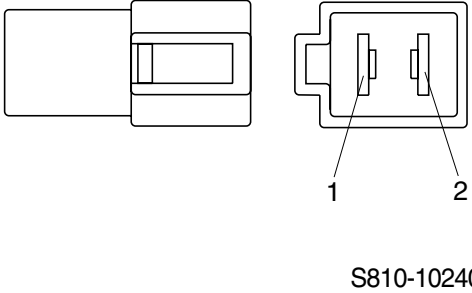
| No. of pin | Receptacle connector(Female) | Plug connector(Male) |
|------------|--|---|
| 6 |  <p data-bbox="686 627 837 660">S814-006000</p> |  <p data-bbox="1244 627 1396 660">S814-106000</p> |
| 8 |  <p data-bbox="686 1041 837 1075">S814-008000</p> |  <p data-bbox="1244 1041 1396 1075">S814-108000</p> |
| 12 |  <p data-bbox="686 1444 837 1478">S814-012000</p> |  <p data-bbox="1244 1444 1396 1478">S814-112000</p> |
| 14 |  <p data-bbox="686 1848 837 1881">S814-014000</p> |  <p data-bbox="1244 1848 1396 1881">S814-114000</p> |

4) CN TYPE CONNECTOR

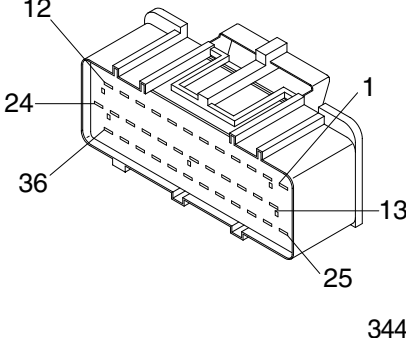
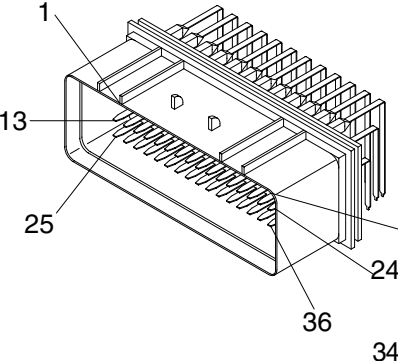
| No. of pin | Receptacle connector(Female) | Plug connector(Male) |
|------------|--|---|
| 1 |  <p style="text-align: center;">S810-001202</p> |  <p style="text-align: center;">S810-101202</p> |
| 2 |  <p style="text-align: center;">S810-002202</p> |  <p style="text-align: center;">S810-102202</p> |
| 3 |  <p style="text-align: center;">S810-003202</p> |  <p style="text-align: center;">S810-103202</p> |
| 4 |  <p style="text-align: center;">S810-004202</p> |  <p style="text-align: center;">S810-104202</p> |

| No. of pin | Receptacle connector(Female) | Plug connector(Male) |
|------------|---|--|
| 6 |  <p data-bbox="686 627 837 660">S810-006202</p> |  <p data-bbox="1244 627 1396 660">S810-106202</p> |
| 8 |  <p data-bbox="686 1041 837 1075">S810-008202</p> |  <p data-bbox="1244 1041 1396 1075">S810-108202</p> |
| | | |
| | | |

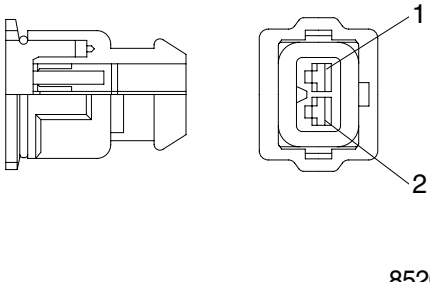
5) 375 FASTEN TYPE CONNECTOR

| No. of pin | Receptacle connector(Female) | Plug connector(Male) |
|------------|--|---|
| 2 |  <p style="text-align: center;">S810-002402</p> |  <p style="text-align: center;">S810-102402</p> |

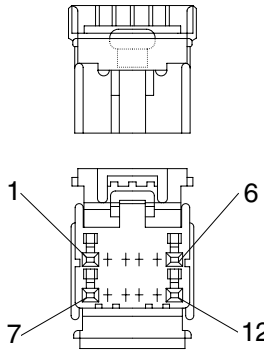
6) AMP ECONOSEAL CONNECTOR

| No. of pin | Receptacle connector(Female) | Plug connector(Male) |
|------------|--|---|
| 36 |  <p style="text-align: center;">344111-1</p> |  <p style="text-align: center;">344108-1</p> |

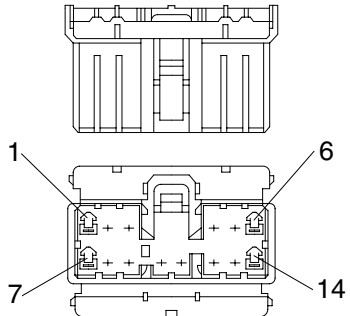
7) AMP TIMER CONNECTOR

| No. of pin | Receptacle connector(Female) | Plug connector(Male) |
|------------|--|----------------------|
| 2 |  <p style="text-align: center;">85202-1</p> | |

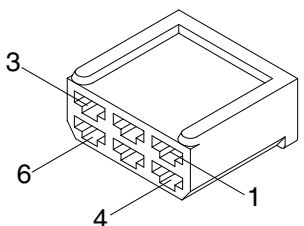
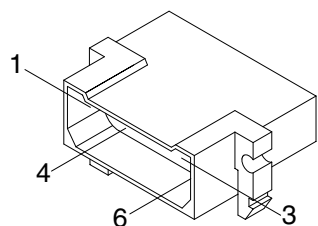
8) AMP 040 MULTILOCK CONNECTOR

| No. of pin | Receptacle connector(Female) | Plug connector(Male) |
|------------|--|----------------------|
| 12 |  <p style="text-align: right;">174045-2</p> | |

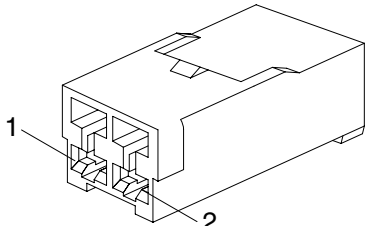
9) AMP 070 MULTILOCK CONNECTOR

| No. of pin | Receptacle connector(Female) | Plug connector(Male) |
|------------|---|----------------------|
| 14 |  <p style="text-align: right;">173852</p> | |

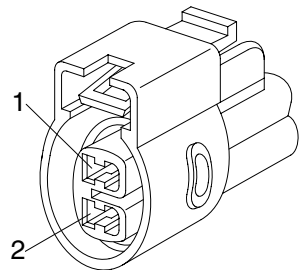
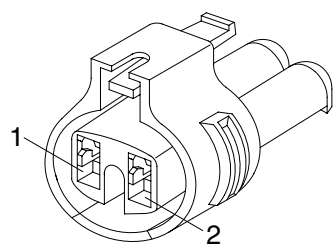
10) AMP FASTIN - FASTON CONNECTOR

| No. of pin | Receptacle connector(Female) | Plug connector(Male) |
|------------|--|---|
| 6 |  <p style="text-align: right;">925276-0</p> |  <p style="text-align: right;">480003-9</p> |

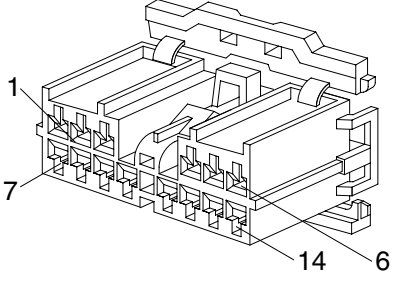
11) KET 090 CONNECTOR

| No. of pin | Receptacle connector(Female) | Plug connector(Male) |
|------------|--|----------------------|
| 2 |  <p style="text-align: right;">MG610070</p> | |

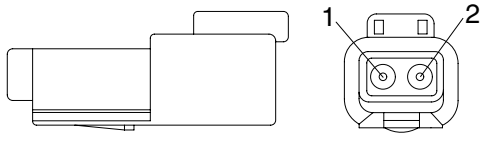
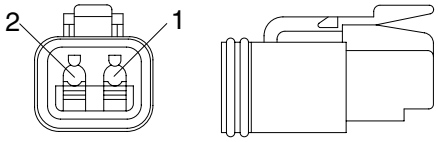
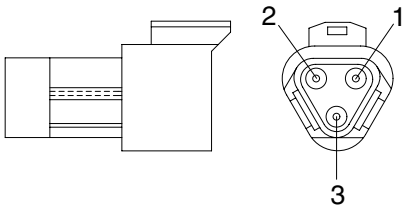
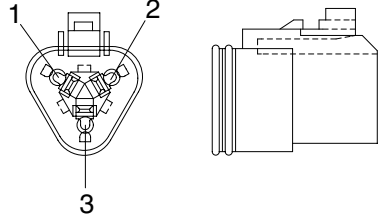
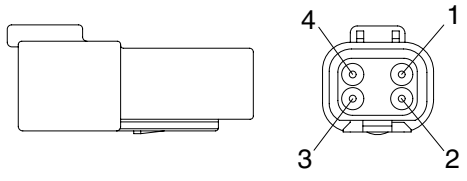
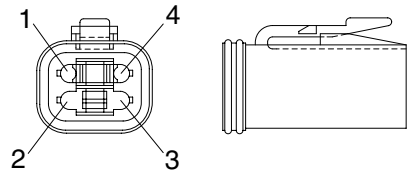
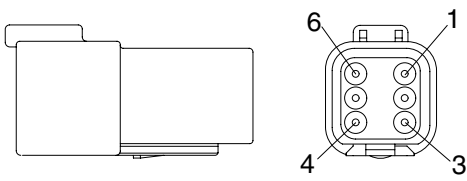
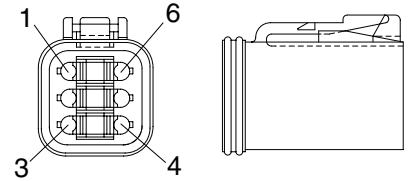
12) KET 090 WP CONNECTORS

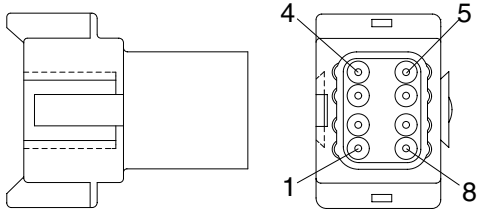
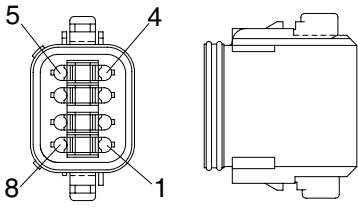
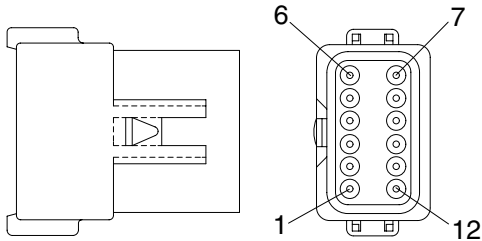
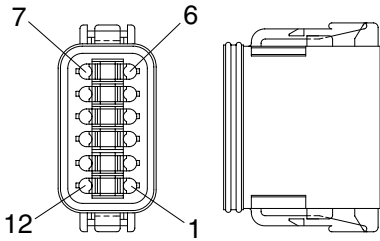
| No. of pin | Receptacle connector(Female) | Plug connector(Male) |
|------------|--|----------------------|
| 2 |  <p style="text-align: right;">MG640605</p> | |
| 2 |  <p style="text-align: right;">MG640795</p> | |

13) KET SDL CONNECTOR

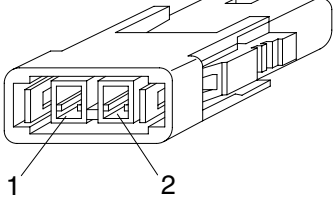
| No. of pin | Receptacle connector(Female) | Plug connector(Male) |
|------------|---|----------------------|
| 14 |  <p data-bbox="715 678 837 707">MG610406</p> | |

14) DEUTSCH DT CONNECTORS

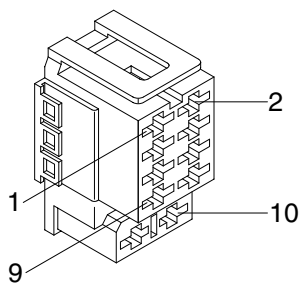
| No. of pin | Receptacle connector(Female) | Plug connector(Male) |
|------------|--|---|
| 2 |  <p style="text-align: center;">DT06-2S</p> |  <p style="text-align: center;">DT04-2P</p> |
| 3 |  <p style="text-align: center;">DT06-3S</p> |  <p style="text-align: center;">DT04-3P</p> |
| 4 |  <p style="text-align: center;">DT06-4S</p> |  <p style="text-align: center;">DT04-4P</p> |
| 6 |  <p style="text-align: center;">DT06-6S</p> |  <p style="text-align: center;">DT04-6P</p> |

| No. of pin | Receptacle connector(Female) | Plug connector(Male) |
|------------|--|---|
| 8 |  <p style="text-align: right;">DT06-8S</p> |  <p style="text-align: right;">DT04-8P</p> |
| 12 |  <p style="text-align: right;">DT06-12S</p> |  <p style="text-align: right;">DT04-12P</p> |

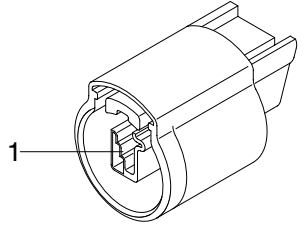
15) MOLEX 2CKTS CONNECTOR

| No. of pin | Receptacle connector(Female) | Plug connector(Male) |
|------------|---|----------------------|
| 2 |  <p data-bbox="705 676 837 705">35215-0200</p> | |

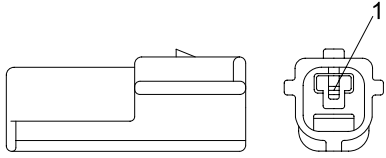
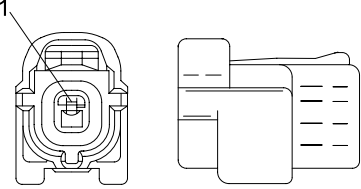
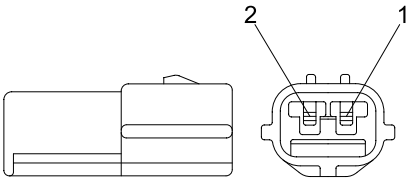
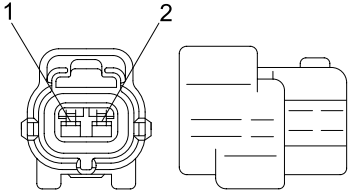
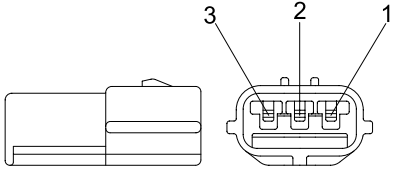
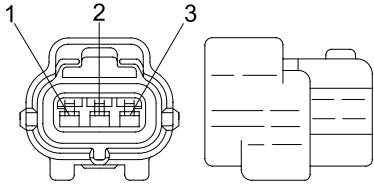
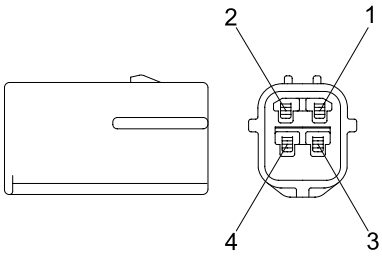
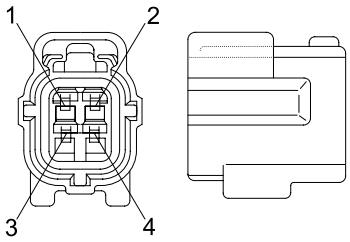
16) ITT SWF CONNECTOR

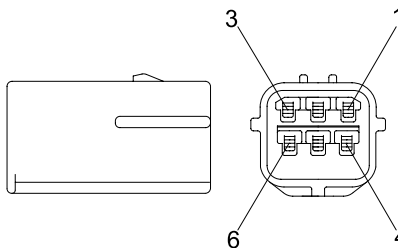
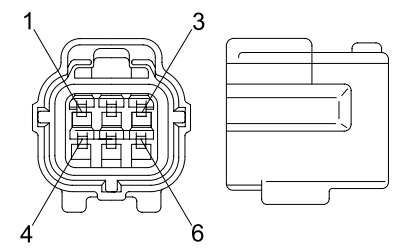
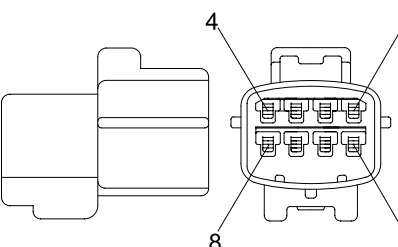
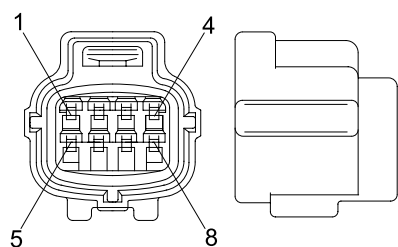
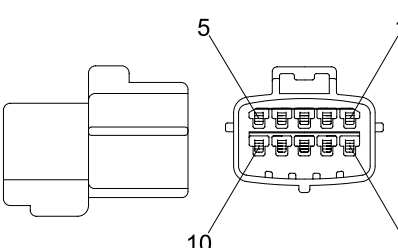
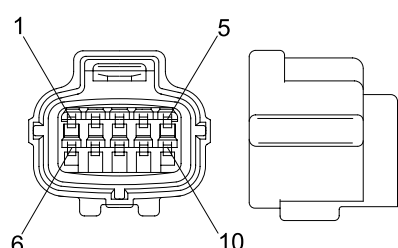
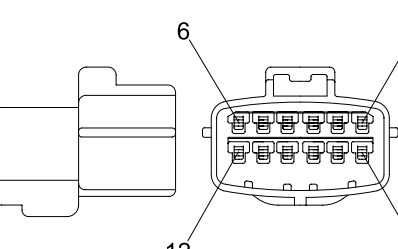
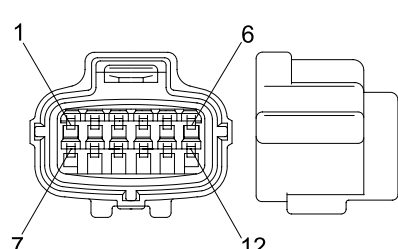
| No. of pin | Receptacle connector(Female) | Plug connector(Male) |
|------------|---|----------------------|
| 10 |  <p data-bbox="699 1265 837 1294">SWF593757</p> | |

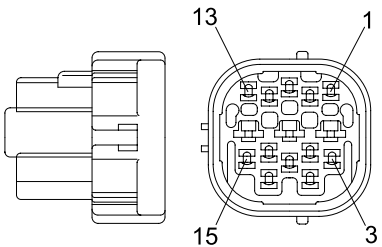
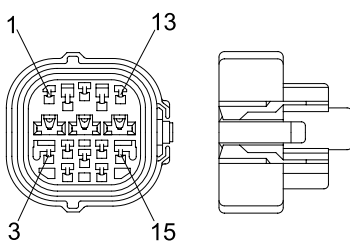
17) MWP NMWP CONNECTOR

| No. of pin | Receptacle connector(Female) | Plug connector(Male) |
|------------|--|----------------------|
| 1 |  <p data-bbox="689 1848 837 1877">NMWP01F-B</p> | |

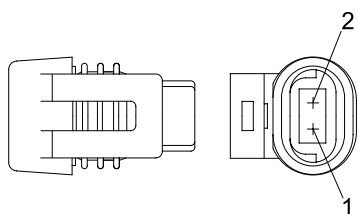
18) ECONOSEAL J TYPE CONNECTORS

| No. of pin | Receptacle connector(Female) | Plug connector(Male) |
|------------|--|---|
| 1 |  <p data-bbox="689 676 837 705">S816-001002</p> |  <p data-bbox="1244 676 1393 705">S816-101002</p> |
| 2 |  <p data-bbox="689 1086 837 1115">S816-002002</p> |  <p data-bbox="1244 1086 1393 1115">S816-102002</p> |
| 3 |  <p data-bbox="689 1489 837 1518">S816-003002</p> |  <p data-bbox="1244 1489 1393 1518">S816-103002</p> |
| 4 |  <p data-bbox="689 1899 837 1928">S816-004002</p> |  <p data-bbox="1244 1899 1393 1928">S816-104002</p> |

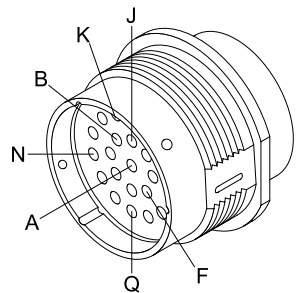
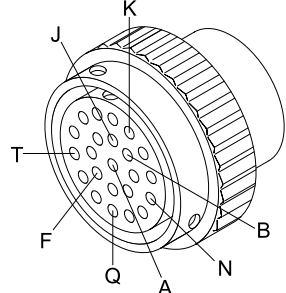
| No. of pin | Receptacle connector(Female) | Plug connector(Male) |
|------------|--|---|
| 6 |  <p data-bbox="686 627 829 660">S816-006002</p> |  <p data-bbox="1244 627 1388 660">S816-106002</p> |
| 8 |  <p data-bbox="686 1030 829 1064">S816-008002</p> |  <p data-bbox="1244 1030 1388 1064">S816-108002</p> |
| 10 |  <p data-bbox="686 1433 829 1467">S816-010002</p> |  <p data-bbox="1244 1433 1388 1467">S816-110002</p> |
| 12 |  <p data-bbox="686 1836 829 1870">S816-012002</p> |  <p data-bbox="1244 1836 1388 1870">S816-112002</p> |

| No. of pin | Receptacle connector(Female) | Plug connector(Male) |
|------------|---|---|
| 15 |  <p data-bbox="730 631 836 658">368301-1</p> |  <p data-bbox="1278 631 1383 658">2-85262-1</p> |

19) METRI-PACK TYPE CONNECTOR

| No. of pin | Receptacle connector(Female) | Plug connector(Male) |
|------------|--|----------------------|
| 2 |  <p data-bbox="726 1234 831 1261">12040753</p> | |

20) DEUTSCH HD30 CONNECTOR

| No. of pin | Receptacle connector(Female) | Plug connector(Male) |
|------------|---|--|
| 23 |  <p data-bbox="667 1836 836 1863">HD36-24-23SN</p> |  <p data-bbox="1220 1836 1390 1863">HD34-24-23PN</p> |