

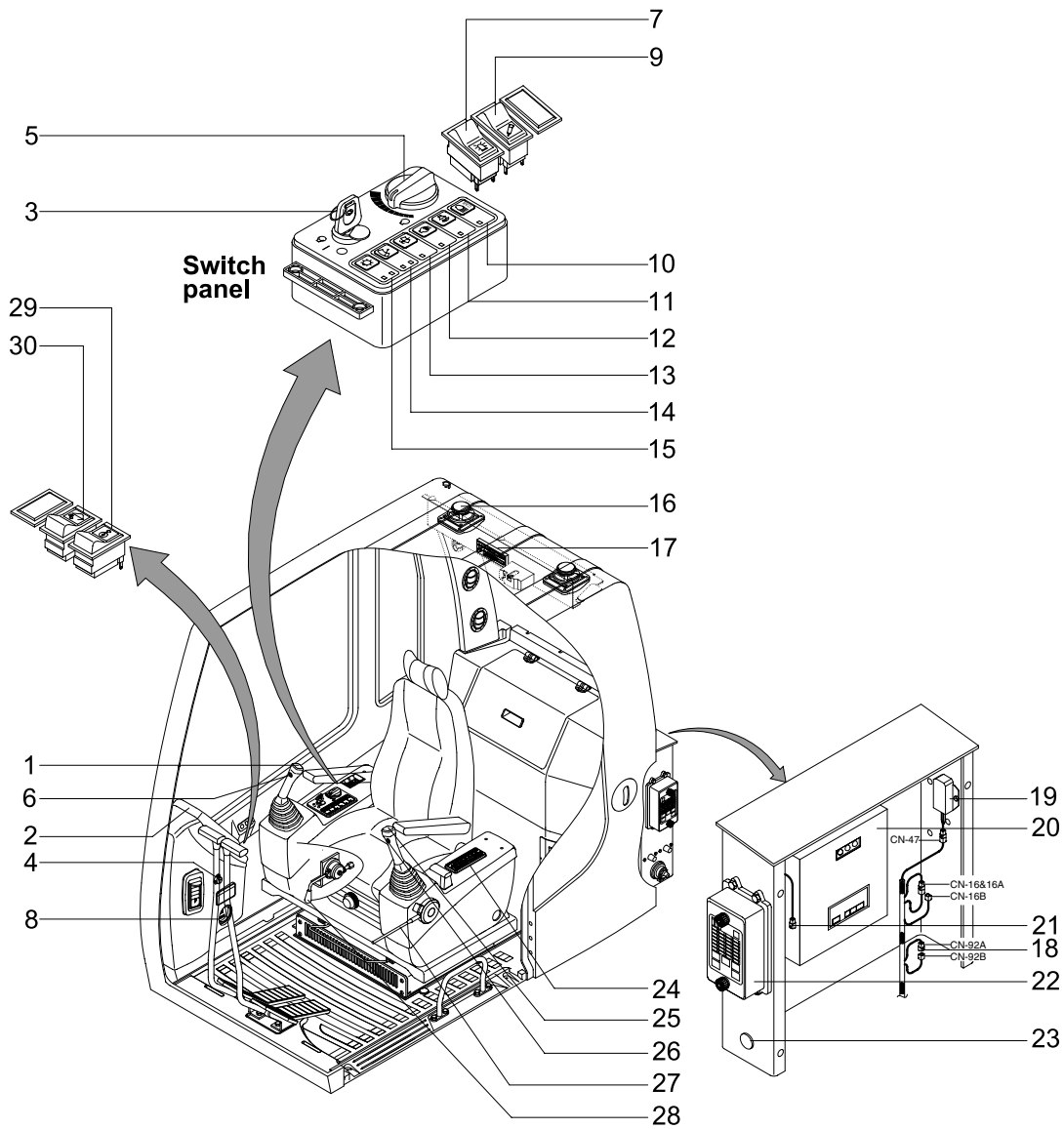
## SECTION 4 ELECTRICAL SYSTEM

Group 1 Component Location .....	4-1
Group 2 Electrical Circuit .....	4-3
Group 3 Electrical Component Specification .....	4-19
Group 4 Connectors .....	4-28

# SECTION 4 ELECTRICAL SYSTEM

## GROUP 1 COMPONENT LOCATION

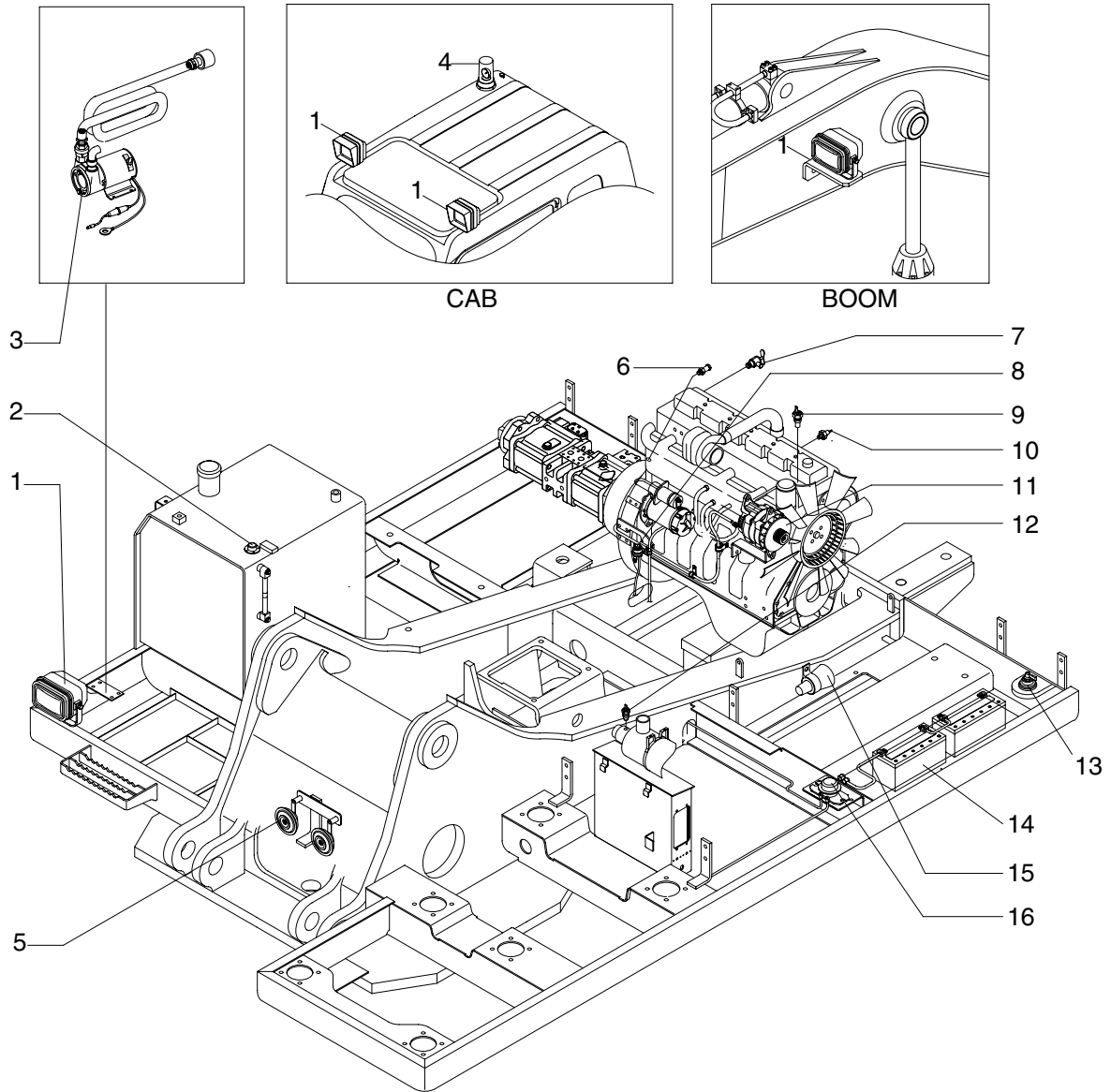
### 1. LOCATION 1



30574EL01

- |    |                          |    |                                     |    |                                |
|----|--------------------------|----|-------------------------------------|----|--------------------------------|
| 1  | Horn switch              | 12 | Preheat switch                      | 22 | Fuse box                       |
| 2  | Cluster                  | 13 | Washer switch                       | 23 | Master switch                  |
| 3  | Starting switch          | 14 | Wiper switch                        | 24 | Air con & heater switch panel  |
| 4  | Cigar lighter            | 15 | Main light switch                   | 25 | One touch decel switch         |
| 5  | Accel dial               | 16 | Speaker                             | 26 | Power max switch               |
| 6  | Breaker switch           | 17 | Cassette & radio                    | 27 | Safety lever                   |
| 7  | Beacon switch            | 18 | Emergency engine starting connector | 28 | Emergency engine control lever |
| 8  | Service meter            | 19 | Resistor                            | 29 | Overload switch                |
| 9  | Breaker selection switch | 20 | CPU controller                      | 30 | Quick clamp switch             |
| 10 | Cab light switch         | 21 | RS232 serial port                   |    |                                |
| 11 | Travel alarm stop switch |    |                                     |    |                                |

## 2. LOCATION 2



29074EL02

- |   |                  |    |                            |    |                     |
|---|------------------|----|----------------------------|----|---------------------|
| 1 | Lamp             | 6  | Speed sensor               | 11 | Alternator          |
| 2 | Fuel sender      | 7  | Start relay                | 12 | Air cleaner switch  |
| 3 | Fuel filler pump | 8  | Temp sender                | 13 | Travel alarm buzzer |
| 4 | Beacon lamp      | 9  | Engine oil pressure switch | 14 | Battery relay       |
| 5 | Horn             | 10 | Heater valve               | 15 | Battery             |