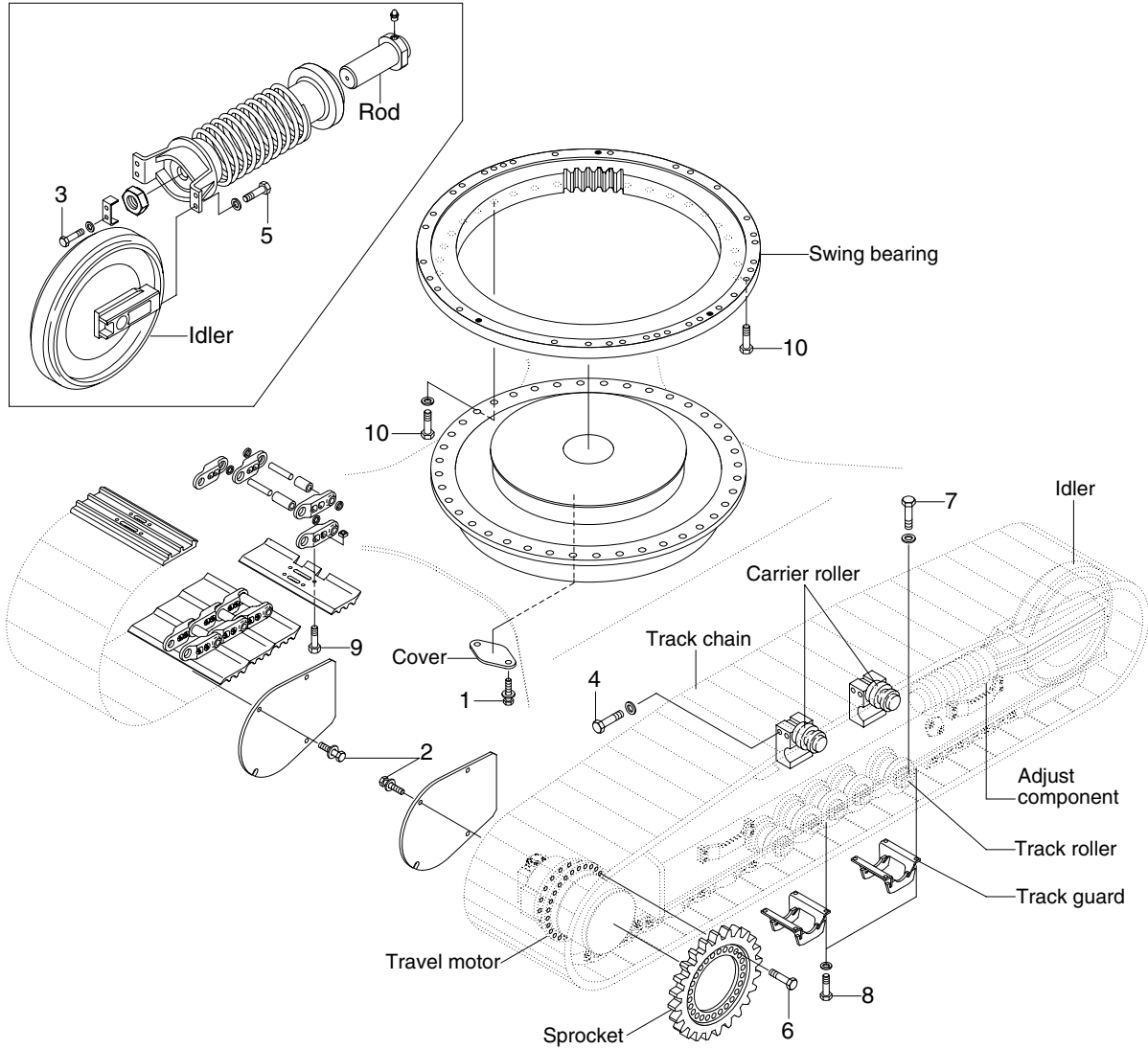


# GROUP 5 UNDERCARRIAGE

## UNDERCARRIAGE MOUNTING

### ADJUST COMPONENT



30079CM08

### · Tightening torque

| Item | Size     | kgf · m  | lbf · ft  |
|------|----------|----------|-----------|
| 1    | M10×1.5  | 6.9±1.4  | 49.9±10.1 |
| 2    | M12×1.75 | 12.8±3.0 | 92.6±21.7 |
| 3    | M12×1.75 | 15±0.5   | 108±3.6   |
| 4    | M16×2.0  | 29.7±4.5 | 215±32.5  |
| 5    | M16×1.5  | 31.3±4.7 | 226±34    |

| Item | Size    | kgf · m  | lbf · ft |
|------|---------|----------|----------|
| 6    | M20×2.5 | 57±6.0   | 412±43.3 |
| 7    | M20×2.5 | 57.9±8.7 | 419±62.9 |
| 8    | M20×2.5 | 12.2±1.3 | 88.2±9.4 |
| 9    | M22×1.5 | 115±5.0  | 831±36   |
| 10   | M24×3.0 | 97.8±10  | 707±72.3 |