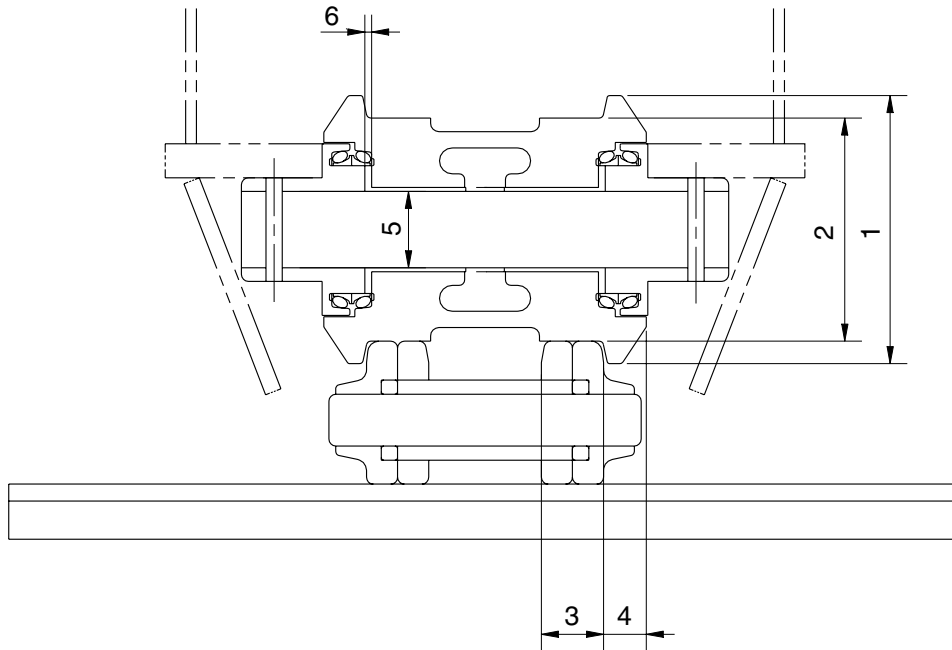


## GROUP 3 TRACK AND WORK EQUIPMENT

### 1. TRACK

#### 1) TRACK ROLLER

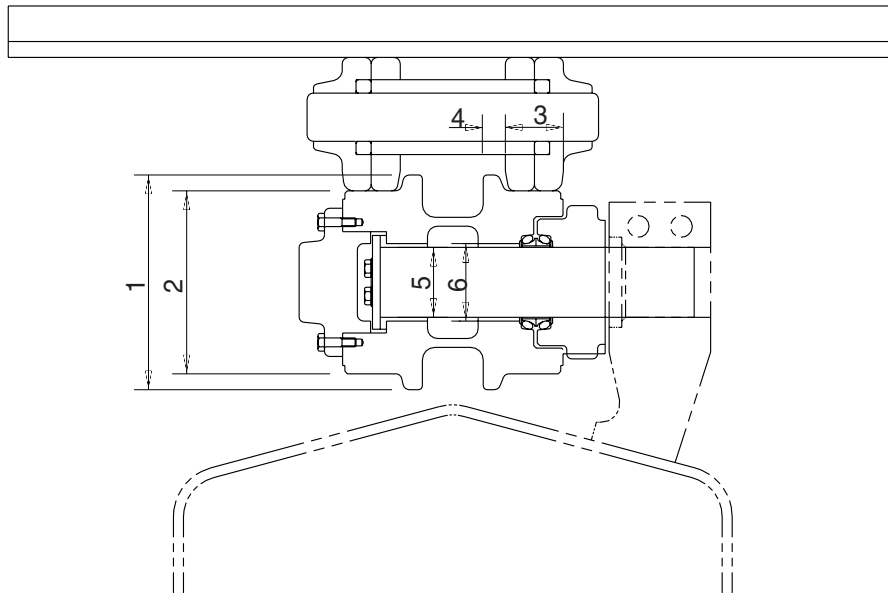


21037MS01

Unit : mm

No.	Check item	Criteria				Remedy
		Standard size		Repair limit		
1	Outside diameter of flange	ø 216		-		Rebuild or replace
2	Outside diameter of tread	ø 180		ø 168		
3	Width of tread	50		56		
4	Width of flange	57		21		
5	Clearance between shaft and bushing	Standard size & tolerance		Standard clearance	Clearance limit	Replace bushing
		Shaft	Hole			
6	Side clearance of roller (Both side)	Standard clearance		Clearance limit		Replace
		0.16~1.24		2.0		

## 2) CARRIER ROLLER

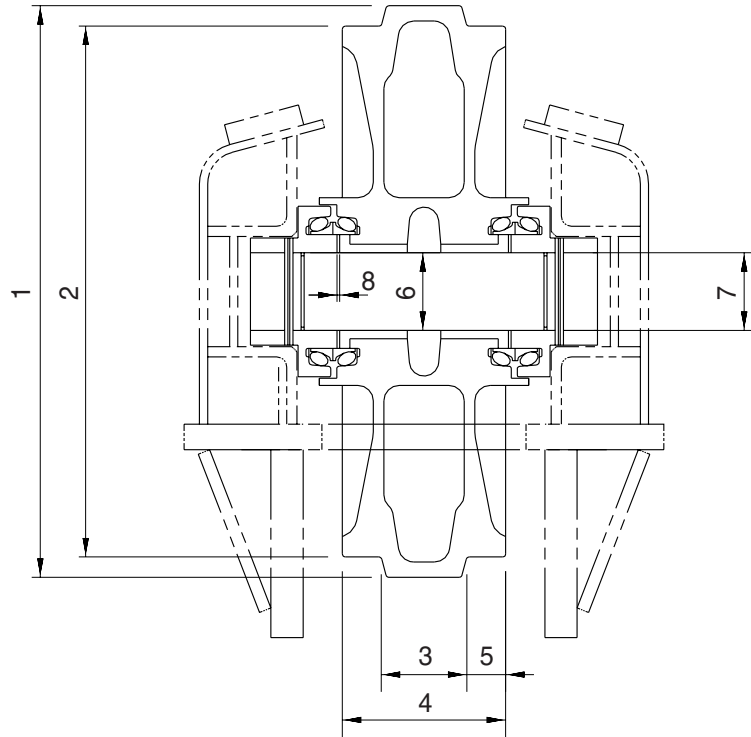


32037MA37

Unit : mm

No.	Check item	Criteria				Remedy
		Standard size		Repair limit		
1	Outside diameter of flange	ø 200		-		Rebuild or replace
2	Outside diameter of tread	ø 168		ø 158		
3	Width of tread	54		59		
4	Width of flange	19		-		
5	Clearance between shaft and bushing	Standard size & tolerance		Standard clearance	Clearance limit	Replace bushing
		Shaft	Hole			
6	Clearance between shaft and support	ø 58 0 -0.1	ø 58 +0.5 +0.3	0.3 to 0.6	1.2	Replace

### 3) IDLER

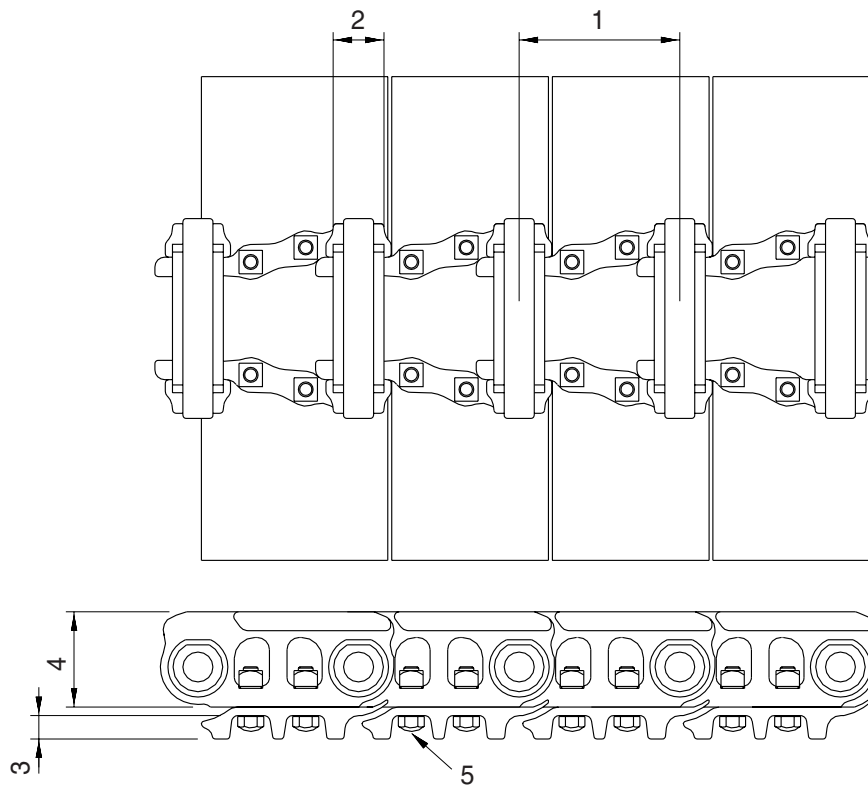


21037MS03

Unit : mm

No.	Check item	Criteria		Remedy		
		Standard size	Repair limit			
1	Outside diameter of protrusion	∅ 646	-	Rebuild or replace		
2	Outside diameter of tread	∅ 594	∅ 588			
3	Width of protrusion	102	-			
4	Total width	203	-			
5	Width of tread	50.5	56.5			
6	Clearance between shaft and bushing	Standard size & tolerance		Standard clearance	Clearance limit	Replace bushing
		Shaft	Hole			
		∅ 90 <sup>0</sup> <sub>-0.035</sub>	∅ 90.35 <sup>+0.05</sup> <sub>0</sub>			
7	Clearance between shaft and support	∅ 90 <sup>0</sup> <sub>-0.035</sub>	∅ 90 <sup>+0.09</sup> <sub>+0.036</sub>	0.036 to 0.125	1.2	Replace
8	Side clearance of idler (Both side)	Standard clearance		Clearance limit		Replace
		0.4 to 1.2		2.0		

#### 4) TRACK

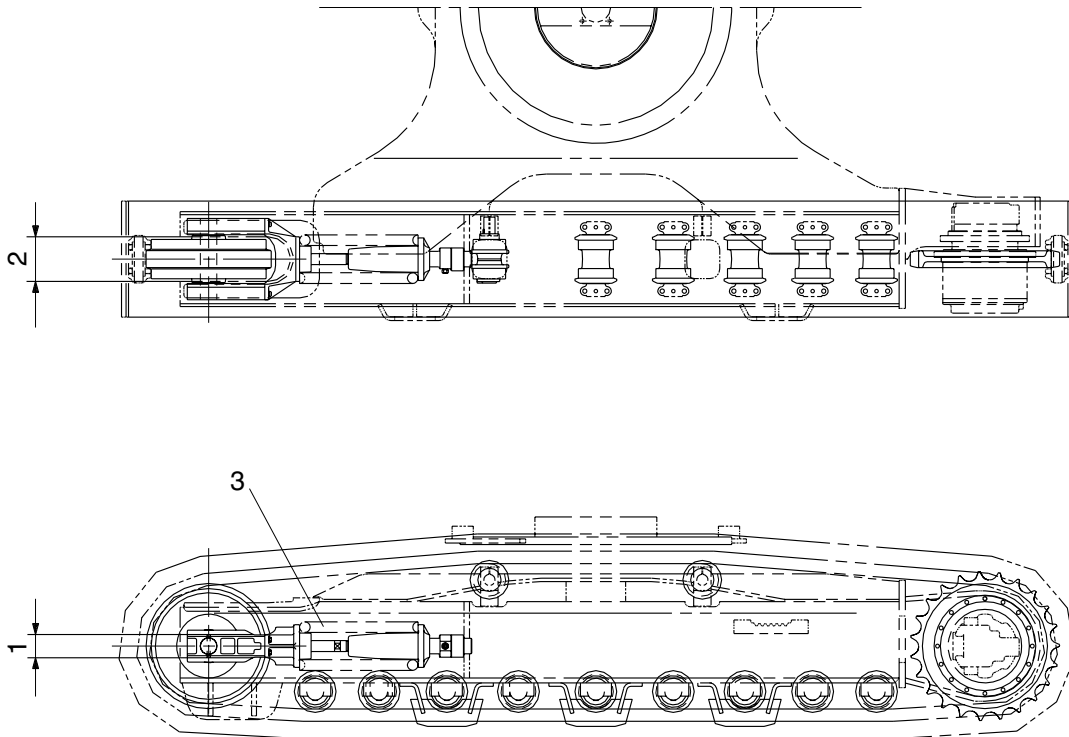


21037MS04

Unit : mm

No.	Check item	Criteria		Remedy
		Standard size	Repair limit	
1	Link pitch	216	221	Turn or replace
2	Outside diameter of bushing	∅ 66.5	∅ 60.9	
3	Height of grouser	30	23	Rebuild or replace
4	Height of link	116	111	
5	Tightening torque	Initial tightening torque : $115 \pm 5 \text{ kgf} \cdot \text{m}$		Retighten

## 5) TRACK FRAME AND RECOIL SPRING

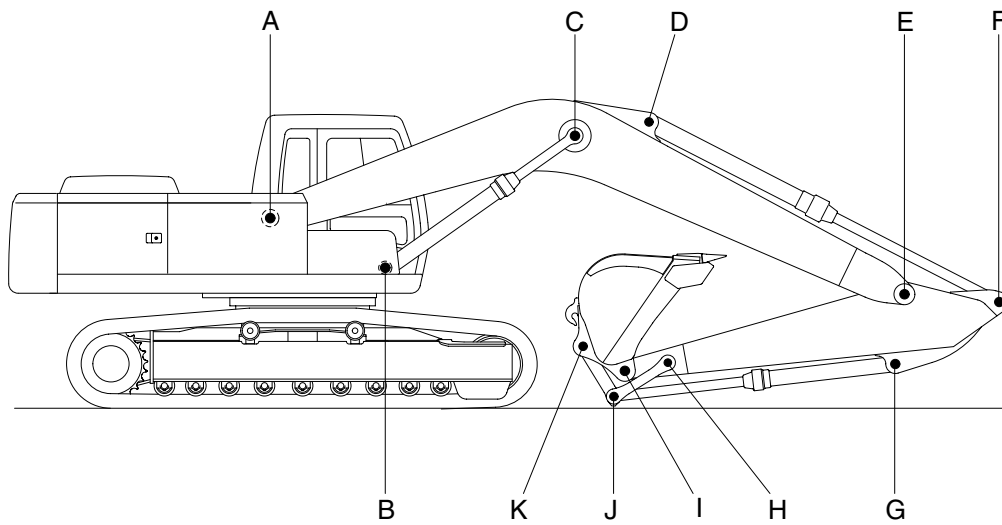


21037MS05

Unit : mm

No.	Check item	Criteria				Remedy	
			Standard size	Tolerance	Repair limit		
1	Vertical width of idler guide	Track frame	132	+2 0	136	Rebuild or replace	
		Idler support	130	0 -1.5	126		
2	Horizontal width of idler guide	Track frame	292	+2 0	297		
		Idler support	290	-	288		
3	Recoil spring	Standard size		Repair limit		Replace	
		Free length	Installation length	Installation load	Free length		Installation load
		∅ 253 × 710	580	19012kg	-		15210kg

## 2. WORK EQUIPMENT



21077MS20

Unit : mm

Mark	Measuring point (Pin and Bushing)	Normal value	Pin		Bushing		Remedy & Remark
			Recomm. service limit	Limit of use	Recomm. service limit	Limit of use	
A	Boom Rear	110	109	108.5	110.5	111	Replace
B	Boom Cylinder Head	90	89	88.5	90.5	91	"
C	Boom Cylinder Rod	100	99	98.5	100.5	101	"
D	Arm Cylinder Head	90	89	88.5	90.5	91	"
E	Boom Front	100	99	98.5	100.5	101	"
F	Arm Cylinder Rod	90	89	88.5	90.5	91	"
G	Bucket Cylinder Head	90	89	88.5	90.5	91	"
H	Arm Link	80	79	78.5	80.5	81	"
I	Bucket and Arm Link	90	89	88.5	90.5	91	"
J	Bucket Cylinder Rod	80	79	78.5	80.5	81	"
K	Bucket Link	90	89	88.5	90.5	91	"