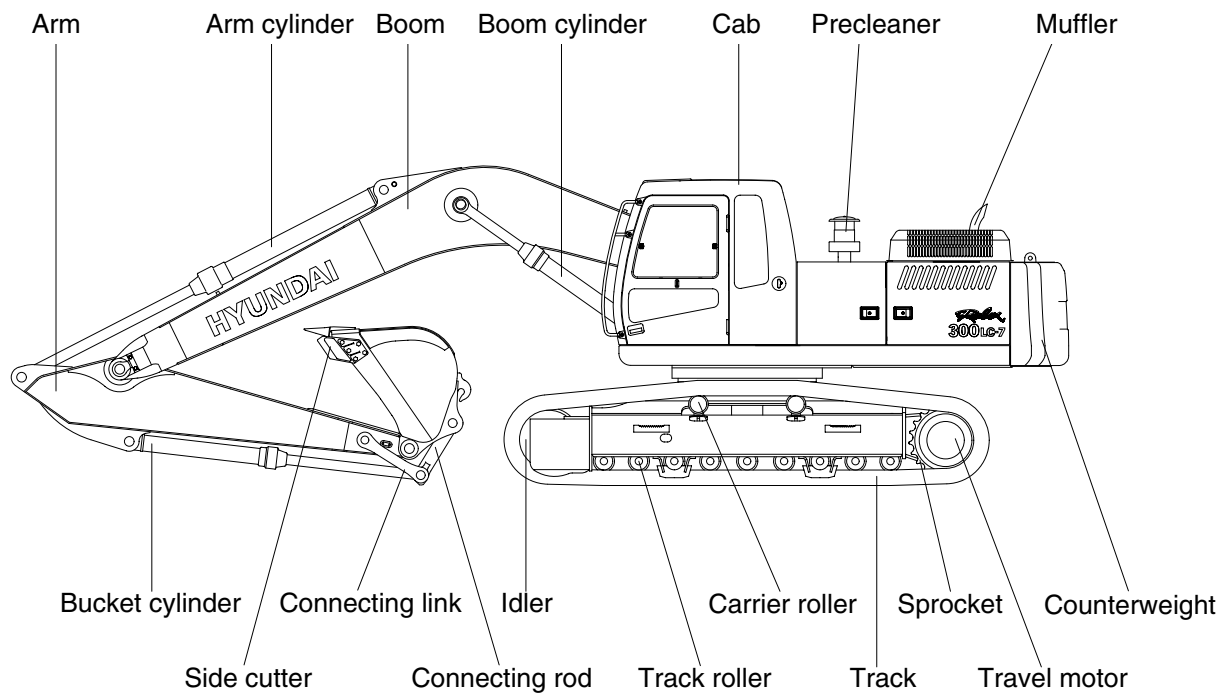
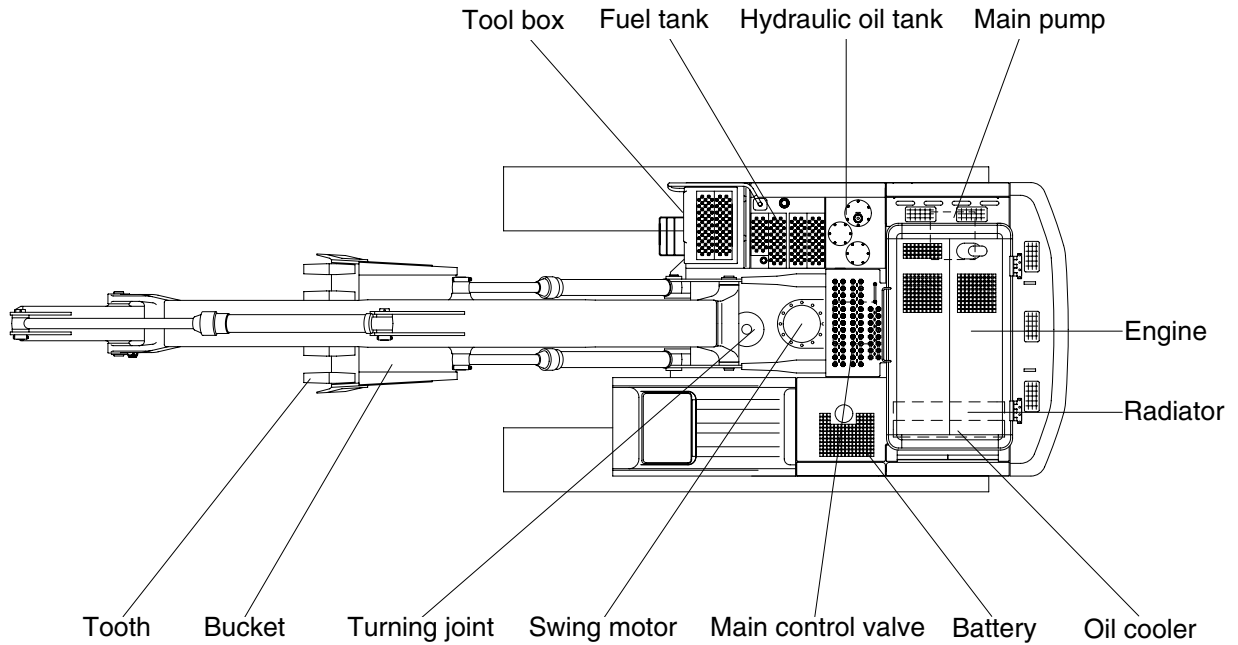


GROUP 2 SPECIFICATIONS

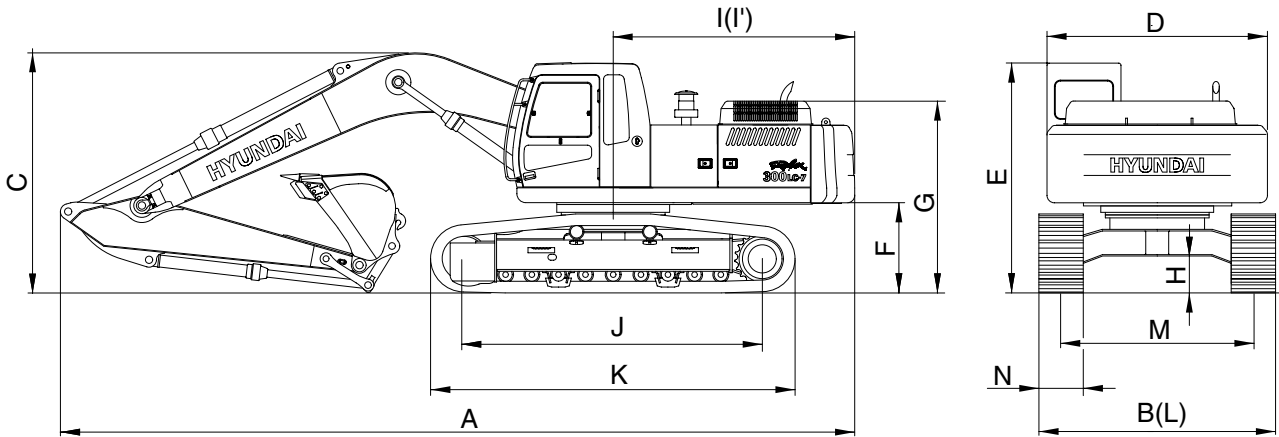
1. MAJOR COMPONENT



30072SP00

2. SPECIFICATIONS

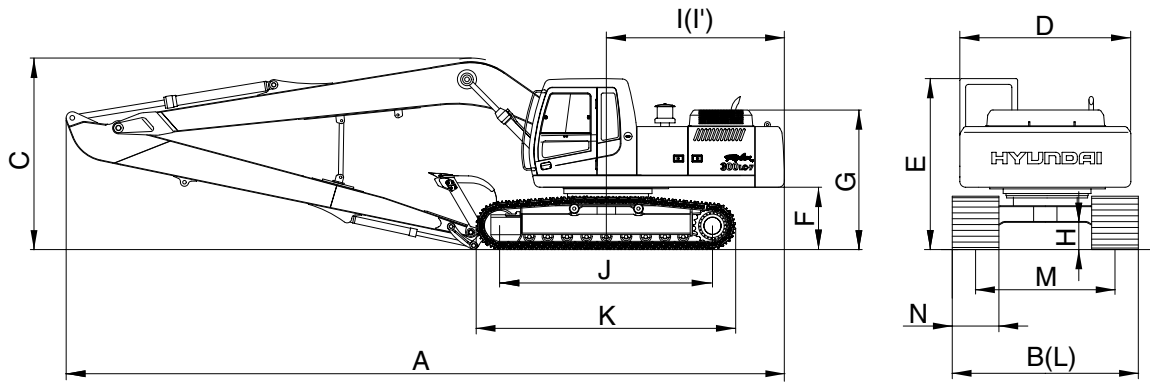
1) 6.25m (20' 6") BOOM, 2.50m (8' 2") ARM



30072SP01

Description		Unit	Specification
Operating weight		kg(lb)	29600(65300)
Bucket capacity(SAE heaped), rock bucket		m ³ (yd ³)	1.16(1.52)
Overall length	A	mm(ft-in)	10800(35' 5")
Overall width, with 600mm shoe	B		3200(10' 6")
Overall height	C		3470(11' 7")
Superstructure width	D		2980(9' 9")
Overall height of cab	E		3010(9' 11")
Ground clearance of counterweight	F		1190(3' 11")
Engine cover height	G		3190(10' 6")
Minimum ground clearance	H		500(1' 8")
Rear-end distance	I		3270(10' 9")
Rear-end swing radius	I'		3350(11' 0")
Distance between tumbler	J		4030(13' 3")
Undercarriage length	K		4940(16' 2")
Undercarriage width	L		3200(10' 6")
Track gauge	M		2600(8' 6")
Track shoe width, standard	N		600(24")
Travel speed(Low/high)		km/hr(mph)	3.1/5.4(1.9/3.4)
Swing speed		rpm	11.0
Gradeability		Degree(%)	35(70)
Ground pressure(600mm shoe)		kgf/cm ² (psi)	0.57(8.11)

2) 10.2m (33' 6") BOOM, 7.85m (25' 9") ARM

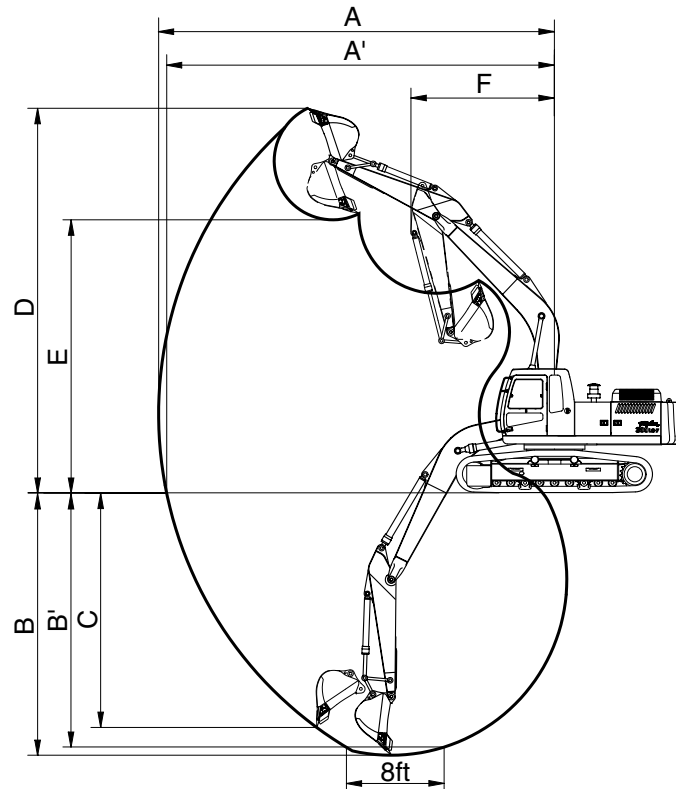


30072SP02

Description		Unit	Specification
Operating weight		kg(lb)	32690(72630)
Bucket capacity(SAE heaped)		m ³ (yd ³)	0.52(0.68)
Overall length	A	mm(ft-in)	14700(48' 3")
Overall width, with 800mm shoe	B		3400(11' 2")
Overall height	C		3550(11' 8")
Superstructure width	D		2980(9' 9")
Overall height of cab	E		3010(9' 11")
Ground clearance of counterweight	F		1190(3' 11")
Engine cover height	G		3190(10' 6")
Minimum ground clearance	H		500(1' 8")
Rear-end distance	I		3200(10' 6")
Rear-end swing radius	I'		3120(10' 3")
Distance between tumbler rollers	J		4030(13' 3")
Undercarriage length	K		4940(16' 2")
Undercarriage width	L		3400(11' 2")
Track gauge	M		2600(8' 6")
Track shoe width, standard	N		800(32")
Travel speed(Low/high)		km/hr(mph)	3.1/5.4(1.9/3.4)
Swing speed		rpm	11.0
Gradeability		Degree(%)	35(70)
Ground pressure(800mm shoe)		kgf/cm ² (psi)	0.47(6.68)

3. WORKING RANGE

1) 6.25m (20' 6") BOOM

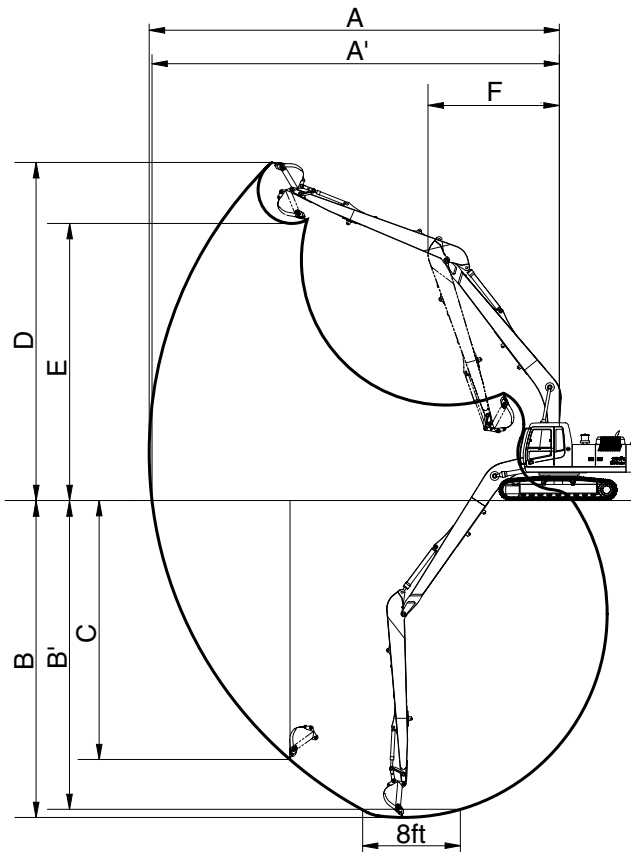


30072SP03

Description		2.10m(6' 11") Arm	*2.50m(8' 2") Arm	3.05m(10' 0") Arm	3.75m(12' 4") Arm
Max digging reach	A	10020mm(32' 10")	10280mm(33' 7")	10820mm(35' 6")	11400mm(37' 5")
Max digging reach on ground	A'	9820mm(32' 3")	10080mm(33' 1")	10620mm(34' 10")	11220mm(36' 10")
Max digging depth	B	6440mm(21' 1")	6840mm(22' 5")	7500mm(24' 7")	8090mm(26' 7")
Max digging depth (8ft level)	B'	6240mm(20' 6")	6630mm(21' 9")	7300mm(23' 11")	7920mm(25' 12")
Max vertical wall digging depth	C	6000mm(19' 8")	5850mm(19' 2")	6410mm(21' 0")	7080mm(23' 3")
Max digging height	D	10070mm(33' 0")	10110mm(33' 2")	10170mm(33' 4")	10360mm(33' 12")
Max dumping height	E	6940mm(22' 9")	7030mm(23' 1")	7110mm(23' 4")	7310mm(23' 12")
Min swing radius	F	4380mm(14' 4")	4260mm(13' 12")	4230mm(13' 11")	4140mm(13' 7")
Bucket digging force	SAE	169[184]kN	169[184]kN	169[184]kN	169[184]kN
		17200[18760]kgf	17200[18760]kgf	17200[18760]kgf	17200[18760]kgf
		37920[41370]lbf	37920[41370]lbf	37920[41370]lbf	37920[41370]lbf
	ISO	192[210]kN	192[210]kN	192[210]kN	192[210]kN
		19600[21380]kgf	19600[21380]kgf	19600[21380]kgf	19600[21380]kgf
		43210[47140]lbf	43210[47140]lbf	43210[47140]lbf	43210[47140]lbf
Arm crowd force	SAE	170[185]kN	147[161]kN	124[135]kN	109[119]kN
		17300[18870]kgf	15000[16360]kgf	12600[13750]kgf	11100[12110]kgf
		38140[41610]lbf	33070[36080]lbf	27780[30310]lbf	24470[26690]lbf
	ISO	178[194]kN	154[168]kN	129[140]kN	112[122]kN
		18100[19750]kgf	15700[17130]kgf	13100[14290]kgf	11400[12440]kgf
		39900[43530]lbf	34610[37760]lbf	28880[31510]lbf	25130[27410]lbf

[] : Power boost * : STD

2) 10.2m (33' 6") BOOM



30072SP04

Description		7.85m(25' 9") Arm	
Max digging reach	A	18510(60' 9")	
Max digging reach on ground	A'	18400(60' 4")	
Max digging depth	B	14820(48' 7")	
Max digging depth (8ft level)	B'	14690(48' 2")	
Max vertical wall digging depth	C	12020(39' 5")	
Max digging height	D	14500(47' 7")	
Max dumping height	E	12190(39'12")	
Min swing radius	F	6250(20' 6")	
Bucket digging force	SAE	70 kN	
		7100 kgf	
		15650 lbf	
	ISO	80 kN	
		8200 kgf	
		18080 lbf	
Arm crowd force	SAE	43 kN	
		4420 kgf	
		9740 lbf	
	ISO	44 kN	
		4500 kgf	
		9920 lbf	

4. WEIGHT


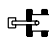

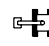



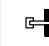

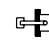
Item	R300LC-7		R300LC-7 LONG REACH	
	kg	lb	kg	lb
Upperstructure assembly	12480	27510	14580	32140
Main frame weld assembly	2515	5545	←	←
Engine assembly	920	2030	←	←
Main pump assembly	130	290	←	←
Main control valve assembly	200	442	←	←
Swing motor assembly	311	687	←	←
Hydraulic oil tank assembly	227	500	←	←
Fuel tank assembly	209	460	←	←
Counterweight	4900	10800	7000	15450
Cab assembly	310	680	←	←
Lower chassis assembly	11520	25400	11680	25750
Track frame weld assembly	3765	8300	←	←
Swing bearing	435	960	←	←
Travel motor assembly	360	790	←	←
Turning joint	54	120	←	←
Track recoil spring	205	450	←	←
Idler	250	550	←	←
Carrier roller	35	80	←	←
Track roller	54	119	←	←
Track-chain assembly (600mm standard triple grouser shoe)	1860	4110	←	←
Track-chain assembly (800mm standard triple grouser shoe)	-	-	2335	5150
Front attachment assembly(6.25m boom, 2.50m arm,1.16m ³ SAE heaped rock bucket)	5550	12240	-	-
Front attachment assembly(10.2m boom, 7.85m arm, 0.52m ³ SAE heaped bucket)	-	-	5920	13050
6.25m boom assembly	2200	4860	-	-
10.2m boom assembly	-	-	2960	6530
2.50m arm assembly	930	2050	-	-
7.85m arm assembly	-	-	1340	2960
1.16m ³ SAE heaped rock bucket	1280	2820	-	-
0.52m ³ SAE heaped bucket	-	-	460	1010
Boom cylinder assembly	290	640	←	←
Arm cylinder assembly	375	826	←	←
Bucket cylinder assembly	250	551	96	212
Bucket control rod assembly	112	248	←	←

5. LIFTING CAPACITIES

1) R300LC-7






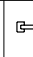

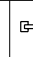



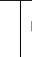
(1) 6.25m(20' 6") boom, 2.10m(6' 11") arm equipped with 1.16m³(SAE heaped) rock bucket, 600mm (24") triple grouser shoe and 4900kg(10,800lb) counterweight.

-  : Rating over-front
-  : Rating over-side or 360 degree




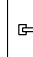



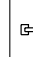
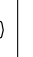
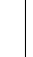


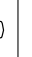

Load point height		Load radius								At max. reach		
		3.0m(10ft)		4.5m(15ft)		6.0m(20ft)		7.5m(25ft)		Capacity		Reach
												m(ft)
7.5m (25ft)	kg lb					*5520 *12170	*5520 *12170			*5040 *11110	4210 9280	8.01 (26.3)
6.0m (20ft)	kg lb					*5850 *12900	*5850 *12900	*5650 *12460	4590 10120	*5120 *11290	3320 7320	8.90 (29.2)
4.5m (15ft)	kg lb			*8690 *19160	*8690 *19160	*6790 *14970	6650 14660	*5960 *13140	4460 9830	4910 10820	2860 6310	9.42 (30.9)
3.0m (10ft)	kg lb			*11380 *25090	9630 21230	*8010 *17660	6170 13600	*6550 *14440	4240 9350	4620 10190	2650 5840	9.64 (31.6)
1.5m (5ft)	kg lb			*13230 *29170	8920 19670	*9100 *20060	5770 12720	6920 15260	4030 8880	4610 10160	2630 5800	9.58 (31.4)
Ground Line	kg lb			*13760 *30340	8710 19200	9740 21470	5540 12210	6760 14900	3890 8580	4890 10780	2800 6170	9.23 (30.3)
-1.5m (-5ft)	kg lb	*13670 *30140	*13670 *30140	*13470 *29700	8740 19270	9670 21320	5480 12080	6730 18480	3870 8530	5580 12300	3240 7140	8.57 (28.1)
-3.0m (-10ft)	kg lb	*17250 *38030	*17250 *38030	*12420 *27380	8930 19690	*9180 *20240	5590 12320			*5920 *13050	4230 9330	7.47 (24.5)
-4.5m (-15ft)	kg lb	*13850 *30530	*13850 *30530	*10060 *22180	9350 20610							

- Note
1. Lifting capacity are based on SAE J1097 and ISO 10567.
 2. Lifting capacity of the ROBEX series does not exceed 75% of tipping load with the machine on firm, level ground or 87% of full hydraulic capacity.
 3. The load point is a hook located on the back of the bucket.
 4. *indicates load limited by hydraulic capacity.










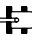



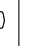

(2) 6.25m(20' 6") boom, 2.50m(8' 2") arm equipped with 1.16m³(SAE heaped) rock bucket, 600mm (24") triple grouser shoe and 4900kg(10,800lb) counterweight.

Load point height		Load radius										At max. reach			
		1.5m(5ft)		3.0m(10ft)		4.5m(15ft)		6.0m(20ft)		7.5m(25ft)		Capacity		Reach	
														m(ft)	
7.5m (25ft)	kg lb												*4630 *10210	3970 8750	8.34 (27.4)
6.0m (20ft)	kg lb									*5230 *11530	4690 10340		*4770 *10520	3170 6990	9.19 (30.2)
4.5m (15ft)	kg lb					*7930 *17480	*7930 *17480	*6370 *14040	*6370 *14040	*5630 *12410	4530 9990		4710 10380	2740 6040	9.69 (31.8)
3.0m (10ft)	kg lb					*10630 *23440	9900 21830	*7630 *16820	6280 13850	*6270 *13820	4290 9460		4430 9770	2540 5600	9.90 (32.5)
1.5m (5ft)	kg lb					*12750 *28110	9070 20000	*8820 *19440	5840 12870	*6930 *15280	4060 8950		4410 9720	2500 5510	9.84 (32.3)
Ground Line	kg lb					*13660 *30120	8740 19270	*9600 *21160	5560 12260	6770 14930	3900 8600		4640 10230	2640 5820	9.51 (31.2)
-1.5m (-5ft)	kg lb			*14590 *32170	*14590 *32170	*13630 *30050	8690 19160	9650 21270	5460 12040	6700 14770	3830 8440		5230 11530	3010 6640	8.87 (29.1)
-3.0m (-10ft)	kg lb	*16480 *36330	*16480 *36330	*18380 *40520	*18380 *40520	*12830 *28290	8830 19470	*9420 *20770	5520 12170				*6050 *13340	3840 8470	7.82 (25.7)
-4.5m (-15ft)	kg lb			*15310 *33750	*15310 *33750	*10900 *24030	9170 20220								

(3) 6.25m(20' 6") boom, 3.05m(10' 0") arm equipped with 1.16m³(SAE heaped) rock bucket, 600mm (24") triple grouser shoe and 4900kg(10,800lb) counterweight.

Load point height		Load radius											At max. reach			
		1.5m(5ft)		3.0m(10ft)		4.5m(15ft)		6.0m(20ft)		7.5m(25ft)		9.0m(30ft)		Capacity		Reach
																m(ft)
7.5m (25ft)	kg lb													*4200 *9260	3490 7690	8.94 (29.3)
6.0m (20ft)	kg lb									*4670 *10300	*4670 *10300			*4340 *9570	2830 6240	9.74 (32.0)
4.5m (15ft)	kg lb							*5710 *12590	*5710 *12590	*5140 *11330	4590 10120			4280 9440	2460 5420	10.20 (33.5)
3.0m (10ft)	kg lb			*10140 *22350	*10140 *22350	*9560 *21080	*9560 *21080	*7030 *15500	6360 14020	*5840 *12870	4320 9520	*3920 *8640	3040 6700	4040 8910	2280 5030	10.40 (34.1)
1.5m (5ft)	kg lb					*11960 *26370	9230 20350	*8320 *18340	5880 12960	*6570 *14480	4060 8950	*4690 *10340	2900 6390	4010 8840	2240 4940	10.35 (34.0)
Ground Line	kg lb			*9810 *21630	*9810 *21630	*13290 *29300	8730 19250	*9280 *20460	5540 12210	6730 14840	3860 8510	*4100 *9040	2800 6170	4190 9240	2340 5160	10.04 (32.9)
-1.5m (-5ft)	kg lb	*10600 *23370	*10600 *23370	*13690 *30180	*13690 *30180	*13630 *30050	8580 18920	9560 21080	5380 11860	6610 14570	3750 8270			4650 10250	2630 5800	9.44 (31.0)
-3.0m (-10ft)	kg lb	*14280 *31480	*14280 *31480	*18410 *40590	18400 40570	*13150 *28990	8640 19050	9560 21080	5380 11860	6630 14620	3770 8310			5640 12430	3260 7190	8.48 (27.8)
-4.5m (-15ft)	kg lb	*18610 *41030	*18610 *41030	*16890 *37240	*16890 *37240	*11690 *25770	8900 19620	*8480 *18700	5560 12260					*5700 *12570	4740 10450	6.97 (22.9)

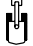


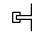

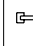

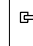

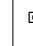


(4) 6.25m(20' 6") boom, 3.75m(12' 4") arm equipped with 1.16m³(SAE heaped) rock bucket, 600mm (24") triple grouser shoe and 4900kg(10,800lb) counterweight.

Load point height		Load radius												At max. reach		
		1.5m(5ft)		3.0m(10ft)		4.5m(15ft)		6.0m(20ft)		7.5m(25ft)		9.0m(30ft)		Capacity		Reach
																
7.5m (25ft)	kg lb													*3670 *8090	2970 6550	9.67 (31.7)
6.0m (20ft)	kg lb								*3920 *8640	*3920 *8640	*2140 *4720	*2140 *4720	*3830 *8440	2440 5380	10.40 (34.1)	
4.5m (15ft)	kg lb								*4460 *9830	*4460 *9830	*3490 *7690	3210 7080	3820 8420	2140 4720	10.83 (35.5)	
3.0m (10ft)	kg lb			*13220 *29150	*13220 *29150	*8070 *17790	*8070 *17790	*6160 *13580	*6160 *13580	*5220 *11510	4390 9680	*4520 *9960	3060 6750	3610 7960	1980 4370	11.02 (36.2)
1.5m (5ft)	kg lb			*10220 *22530	*10220 *22530	*10780 *23770	9550 21050	*7590 *16730	6000 13230	*6040 *13320	4090 9020	5080 11200	2900 6390	3570 7870	1930 4250	10.97 (36.0)
Ground Line	kg lb	*6690 *14750	*6690 *14750	*10540 *23240	*10540 *23240	*12610 *27800	8840 19490	*8760 *19310	5580 12300	6730 14840	3850 8490	4930 10870	2760 6080	3700 8160	2000 4410	10.68 (35.0)
-1.5m (-5ft)	kg lb	*9530 *21010	*9530 *21010	*13000 *28660	*13000 *28660	*13440 *29630	8530 18810	*9460 *20860	5340 11770	6550 14440	3690 8140	4840 10670	2670 5890	4050 8930	2220 4890	10.12 (33.2)
-3.0m (-10ft)	kg lb	*12520 *27600	*12520 *27600	*16480 *36330	*16480 *36330	*13400 *29540	8490 18720	9440 20810	5260 11600	6500 14330	3640 8020			4770 10520	2680 5910	9.25 (30.3)
-4.5m (-15ft)	kg lb	*15980 *35230	*15980 *35230	*18640 *41090	18450 40680	*12490 *27540	8640 19050	*9050 *19950	5340 11770					*5520 *12170	3660 8070	7.92 (26.0)

2) R300LC-7 LONG REACH

(1) 10.2m(33' 6") boom, 7.85m(25' 9") arm equipped with 0.52m³(SAE heaped) bucket and 800mm (32") triple grouser shoe and 7000kg(15,430lb) counterweight.

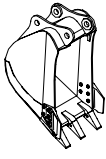
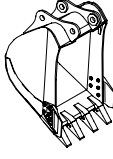
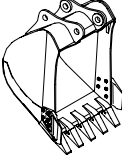
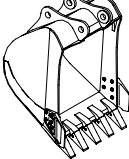
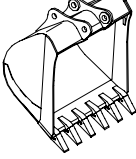
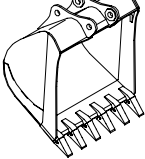
-  : Rating over-front
-  : Rating over-side or 360 degree

Load point height m(ft)		Load radius										At max. reach				
		3.0m(10.0ft)		6.0m(20.0ft)		9.0m(30.0ft)		12.0m(40.0ft)		15.0m(50.0ft)		Capacity		Reach m(ft)		
																
12.0m (40.0ft)	kg lb													*1630 *3590	*1630 *3590	15.27 (50.1)
9.0m (30.0ft)	kg lb									*1420 *3130	*1420 *3130	*1690 *3730	1600 3530			16.89 (55.4)
6.0m (20.0ft)	kg lb									*1830 *4030	*1830 *4030	*1790 *3950	1310 2890			17.83 (58.5)
3.0m (10.0ft)	kg lb					*3000 *6610	*3000 *6610	*2390 *5270	*2390 *5270	*2080 *4590	1830 4030	*1920 *4230	1150 2540			18.20 (59.7)
Ground Line	kg lb	*3780 *8330	*3780 *8330	*6710 *14790	*6710 *14790	*4000 *8820	3900 8600	*2920 *6440	2480 5470	*2380 *5250	1630 3590	2070 4560	1100 2430			18.04 (59.2)
-3.0m (-10.0ft)	kg lb	*5080 *11200	*5080 *11200	*7970 *17570	5900 13010	*4770 *10520	3370 7430	*3370 *7430	2190 4830	*2630 *5800	1480 3260	2170 4780	1140 2510			17.33 (56.9)
-6.0m (-20.0ft)	kg lb	*6810 *15010	*6810 *15010	*8310 *18320	5710 12590	*5150 *11350	3160 6970	*3630 *8000	2050 4520	*2550 *5620	1430 3150	2470 5450	1330 2930			15.99 (52.5)
-9.0m (-30.0ft)	kg lb	*8960 *19750	*8960 *19750	*7890 *17390	5920 13050	*5050 *11130	3210 7080	*3520 *7760	2100 4630			*2800 *6170	1800 3970			13.83 (45.4)
-12.0m (-40.0ft)	kg lb	*11900 *26230	*11900 *26230	*6420 *14150	*6420 *14150	*4120 *9080	3560 7850									

- Note
1. Lifting capacity are based on SAE J1097 and ISO 10567.
 2. Lifting capacity of the ROBEX series does not exceed 75% of tipping load with the machine on firm, level ground or 87% of full hydraulic capacity.
 3. The load point is a hook located on the back of the bucket.
 4. *indicates load limited by hydraulic capacity.

6. BUCKET SELECTION GUIDE

1) GENERAL BUCKET

					
0.79m ³ SAE heaped bucket	1.03m ³ SAE heaped bucket	⊙0.52m ³ SAE 1.27m ³ SAE heaped bucket	1.50m ³ SAE heaped bucket	1.73m ³ SAE heaped bucket	1.85m ³ SAE heaped bucket

Capacity		Width		Weight	Recommendation				
					6.25m(20' 6") boom				10.2m boom (33' 6")
SAE heaped	CECE heaped	Without side cutter	With side cutter		2.1m arm (6' 11")	2.5m arm (8' 2")	3.05m arm (10' 0")	3.75m arm (12' 4")	7.85m arm (25' 9")
⊙0.52m ³ (0.68yd ³)	0.45m ³ (0.59yd ³)	910mm (35.8")	1010mm (39.8")	460kg (1010lb)					
0.79m ³ (1.03yd ³)	0.70m ³ (0.92yd ³)	890mm (35.0")	1010mm (39.8")	790kg (1740lb)					
1.03m ³ (1.35yd ³)	0.90m ³ (1.18yd ³)	1090mm (42.9")	1210mm (47.6")	890kg (1960lb)					
1.27m ³ (1.66yd ³)	1.10m ³ (1.44yd ³)	1290mm (50.8")	1410mm (55.5")	1010kg (2230lb)					
1.50m ³ (1.96yd ³)	1.30m ³ (1.70yd ³)	1490mm (58.7")	1610mm (63.4")	1080kg (2380lb)					
1.73m ³ (2.26yd ³)	1.50m ³ (1.96yd ³)	1700mm (66.9")	1820mm (71.7")	1170kg (2580lb)					
1.85m ³ (2.42yd ³)	1.60m ³ (2.09yd ³)	1800mm (70.9")	1920mm (75.6")	1230kg (2710lb)					

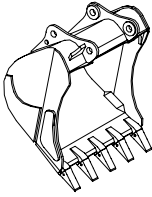
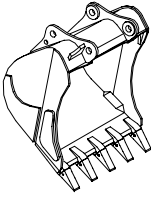
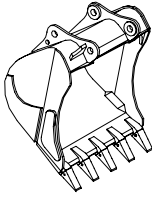
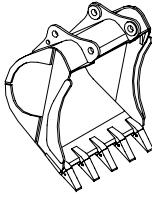
⊙ : 10.2m boom, 7.85 arm only

Applicable for materials with density of 2000kgf/m³ (3370lbf/yd³) or less

Applicable for materials with density of 1600kgf/m³ (2700lbf/yd³) or less

Applicable for materials with density of 1100kgf/m³ (1850lbf/yd³) or less

2) ROCK AND HEAVY DUTY BUCKET, CASTING BUCKET

			
<p>◆ 1.07m³ SAE ◆ 1.15m³ SAE heaped bucket</p>	<p>◆ 1.27m³ SAE heaped bucket</p>	<p>★ 1.27m³ SAE ◆ 1.46m³ SAE heaped bucket</p>	<p>※ ◎ 1.16m³ SAE ◎ 1.49m³ SAE heaped bucket</p>

Capacity		Width		Weight	Recommendation			
SAE heaped	CECE heaped	Without side cutter	With side cutter		6.25m (20' 6") boom			
					2.1m arm (6' 11")	2.5m arm (8' 2")	3.05m arm (10' 0")	3.75m arm (12' 4")
◆ 1.07m ³ (1.40yd ³)	0.95m ³ (1.24yd ³)	1150mm (45.3")	-	1120kg (2470lb)				
◆ 1.15m ³ (1.50yd ³)	1.00m ³ (1.31yd ³)	1210mm (47.6")	-	1160kg (2560lb)				
◆ 1.27m ³ (1.66yd ³)	1.10m ³ (1.44yd ³)	1310mm (51.6")	-	1240kg (2730lb)				
◆ 1.46m ³ (1.91yd ³)	1.28m ³ (1.67yd ³)	1460mm (57.5")	-	1320kg (2910lb)				
※ ◎ 1.16m ³ (1.52yd ³)	1.00m ³ (1.31yd ³)	1340mm (52.8")	-	1280kg (2820lb)				
◎ 1.49m ³ (1.95yd ³)	1.28m ³ (1.67yd ³)	1620mm (63.8")	-	1440kg (3170lb)				
★ 1.27m ³ (1.66yd ³)	1.10m ³ (1.44yd ³)	1290mm (50.8")	1305mm (51.4")	1270kg (2800lb)				

※ : Standard bucket

◆ : Heavy duty bucket

◎ : Rock bucket

★ : Casting bucket

 Applicable for materials with density of 2000kgf/m³ (3370lbf/yd³) or less

 Applicable for materials with density of 1600kgf/m³ (2700lbf/yd³) or less

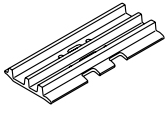
 Applicable for materials with density of 1100kgf/m³ (1850lbf/yd³) or less

7. UNDERCARRIAGE

1) TRACKS

X-leg type center frame is integrally welded with reinforced box-section track frames. The design includes dry tracks, lubricated rollers, idlers, sprockets, hydraulic track adjusters with shock absorbing springs and assembled track-type tractor shoes with triple grousers.

2) TYPES OF SHOES

Model	Shapes		Triple grouser			
						
R300LC-7	Shoe width	mm(in)	600(24)	700(28)	800(32)	900(36)
	Operating weight	kg(lb)	29600(65300)	30180(66540)	30760(67810)	31340(69100)
	Ground pressure	kgf/cm ² (psi)	0.57(8.11)	0.50(7.10)	0.44(6.26)	0.40(5.69)
	Overall width	mm(ft-in)	3200(10' 6")	3300(10' 10")	3400(11' 1")	3500(11' 5")
R300LC-7 LONG REACH	Shoe width	mm(in)	-	-	800(32)	-
	Operating weight	kg(lb)	-	-	32690(72630)	-
	Ground pressure	kgf/cm ² (psi)	-	-	0.47(6.68)	-
	Overall width	mm(ft-in)	-	-	3400(11' 2")	-

3) NUMBER OF ROLLERS AND SHOES ON EACH SIDE

Item	Quantity
Carrier rollers	2EA
Track rollers	9EA
Track shoes	48EA

4) SELECTION OF TRACK SHOE

Suitable track shoes should be selected according to operating conditions.

Method of selecting shoes

Confirm the category from the list of applications in **table 2**, then use **table 1** to select the shoe. Wide shoes(Categories B and C) have limitations on applications. Before using wide shoes, check the precautions, then investigate and study the operating conditions to confirm if these shoes are suitable.

Select the narrowest shoe possible to meet the required flotation and ground pressure. Application of wider shoes than recommendations will cause unexpected problem such as bending of shoes, crack of link, breakage of pin, loosening of shoe bolts and the other various problems.

※ **Table 1**

Track shoe	Specification	Category
600mm triple grouser	Standard	A
700mm triple grouser	Option	B
800mm triple grouser	Option	C
900mm triple grouser	Option	C
800mm triple grouser(Long reach)	Standard	C

※ **Table 2**

Category	Applications	Precautions
A	Rocky ground, river beds, normal soil	<ul style="list-style-type: none"> Travel at low speed on rough ground with large obstacles such as boulders or fallen trees
B	Normal soil, soft ground	<ul style="list-style-type: none"> These shoes cannot be used on rough ground with large obstacles such as boulders or fallen trees Travel at high speed only on flat ground Travel slowly at low speed if it is impossible to avoid going over obstacles
C	Extremely soft ground (Swampy ground)	<ul style="list-style-type: none"> Use the shoes only in the conditions that the machine sinks and it is impossible to use the shoes of category A or B These shoes cannot be used on rough ground with large obstacles such as boulders or fallen trees Travel at high speed only on flat ground Travel slowly at low speed if it is impossible to avoid going over obstacles

8. SPECIFICATIONS FOR MAJOR COMPONENTS

1) ENGINE

Item	Specification
Model	HYUNDAI D6AC-C
Type	4-cycle turbocharged diesel engine
Cooling method	Water cooling
Number of cylinders and arrangement	6 cylinders, in-line
Firing order	1-5-3-6-2-4
Combustion chamber type	Direct injection type
Cylinder bore × stroke	130 × 140mm(5.12" × 5.51")
Piston displacement	11149cc(680cu in)
Compression ratio	17 : 1
Rated gross horse power(SAE J1995)	217Hp at 1900rpm(162kW at 1900rpm)
Maximum torque	96.9kgf · m(701lbf · ft) at 1400rpm
Engine oil quantity	27.3 l (7.2U.S. gal)
Dry weight	920kg(2028lb)
High idling speed	2050+ 20rpm
Low idling speed	800 ± 50rpm
Rated fuel consumption	157.5g/Hp · hr at 1900rpm
Starting motor	MANDO 24V-5.5kW
Alternator	VALEO MANDO 24V-70A
Battery	2 × 12V × 160Ah

2) MAIN PUMP

Item	Specification
Type	Variable displacement tandem axis piston pumps
Maximum pressure	330kgf/cm ² (4690psi)[360kgf/cm ² (5120psi)]
Rated oil flow	2 × 260 l /min (68.7U.S. gpm/ 57.2U.K. gpm)

[]: Power boost

3) GEAR PUMP

Item	Specification
Type	Fixed displacement gear pump single stage
Capacity	15cc/rev
Maximum pressure	35kgf/cm ² (500psi)
Rated oil flow	28.5 l /min(7.5U.S. gpm/6.3U.K. gpm)

4) MAIN CONTROL VALVE

Item	Specification
Type	10 spools
Operating method	Hydraulic pilot system
Main relief valve pressure	330kgf/cm ² (4690psi) [360kgf/cm ² (5120psi)]
Overload relief valve pressure	390kgf/cm ² (5550psi)

[]: Power boost

5) SWING MOTOR

Item	Specification
Type	Axial piston motor
Capacity	169.4cc/rev
Relief pressure	265kgf/cm ² (3770psi)
Braking system	Automatic, spring applied hydraulic released
Braking torque	70kgf · m(506lbf · ft)
Brake release pressure	26kgf/cm ² (370psi)
Reduction gear type	2 - stage planetary

6) TRAVEL MOTOR

Item	Specification
Type	Variable displacement axial piston motor
Relief pressure	330kgf/cm ² (4693psi)
Capacity(max / min)	154.8/88.5cc/rev
Reduction gear type	3-stage planetary
Braking system	Automatic, spring applied hydraulic released
Brake release pressure	9kgf/cm ² (128psi)
Braking torque	40kgf · m(290lbf · ft)

7) REMOTE CONTROL VALVE

Item		Specification
Type		Pressure reducing type
Operating pressure	Minimum	6.5kgf/cm ² (92psi)
	Maximum	26kgf/cm ² (370psi)
Single operation stroke	Lever	61mm(2.4in)
	Pedal	123mm(4.84in)

8) CYLINDER

Item		Specification
Boom cylinder	Bore dia × Rod dia × Stroke	∅ 140 × ∅ 100 × 1465mm
	Cushion	Extend only
Arm cylinder	Bore dia × Rod dia × Stroke	∅ 150 × ∅ 110 × 1765mm
	Cushion	Extend and retract
Bucket cylinder	Bore dia × Rod dia × Stroke	∅ 140 × ∅ 95 × 1185mm
	Cushion	Extend only
Bucket cylinder (LONG REACH)	Bore dia × Rod dia × Stroke	∅ 100 × ∅ 70 × ∅ 870
	Cushion	Extend only

※ Discoloration of cylinder rod can occur when the friction reduction additive of lubrication oil spreads on the rod surface.

※ Discoloration does not cause any harmful effect on the cylinder performance.

9) SHOE

Item		Width	Ground pressure	Link quantity	Overall width
R300LC-7	Standard	600mm(24")	0.57kgf/cm ² (8.11psi)	48	3200mm(10' 6")
	Option	700mm(28")	0.50kgf/cm ² (7.10psi)	48	3300mm(10' 10")
		800mm(32")	0.44kgf/cm ² (6.26psi)	48	3400mm(11' 1")
		900mm(36")	0.40kgf/cm ² (5.69psi)	48	3500mm(11' 5")
R300LC-7 LONG REACH	Standard	800mm(32")	0.47kgf/cm ² (6.68psi)	48	3400mm(11' 2")

10) BUCKET

Item		Capacity		Tooth quantity	Width	
		SAE heaped	CECE heaped		Without side cutter	With side cutter
R300LC-7	Standard	⊙1.16m ³ (1.52yd ³)	1.00m ³ (1.31yd ³)	5	1340mm(52.8")	-
	Option	◆0.79m ³ (1.03yd ³)	0.70m ³ (0.92yd ³)	3	890mm(35.0")	1010mm(39.8")
		◆1.03m ³ (1.35yd ³)	0.90m ³ (1.18yd ³)	4	1090mm(42.9")	1210mm(47.6")
		◆1.27m ³ (1.66yd ³)	1.10m ³ (1.44yd ³)	5	1290mm(50.8")	1410mm(55.5")
		◆1.07m ³ (1.40yd ³)	0.95m ³ (1.24yd ³)	5	1150mm(45.3")	-
		◆1.15m ³ (1.50yd ³)	1.00m ³ (1.31yd ³)	5	1210mm(47.6")	-
		◆1.27m ³ (1.66yd ³)	1.10m ³ (1.44yd ³)	5	1310mm(51.6")	-
		★1.27m ³ (1.66yd ³)	1.10m ³ (1.44yd ³)	5	1290mm(50.8")	1305mm(51.4")
		◆1.46m ³ (1.91yd ³)	1.28m ³ (1.67yd ³)	5	1460mm(57.5")	-
		⊙1.49m ³ (1.95yd ³)	1.28m ³ (1.67yd ³)	5	1620mm(63.8")	-
		◆1.50m ³ (1.96yd ³)	1.30m ³ (1.70yd ³)	6	1490mm(58.7")	1610mm(63.4")
		◆1.73m ³ (2.26yd ³)	1.50m ³ (1.96yd ³)	6	1700mm(66.9")	1820mm(71.7")
		◆1.85m ³ (2.42yd ³)	1.60m ³ (2.09yd ³)	5	1800mm(70.9")	1920mm(75.6")
LONG REACH	Standard	0.52m ³ (0.68yd ³)	0.45m ³ (0.59yd ³)	5	910mm(35.8")	1010mm(39.8")

◆ : Heavy duty bucket

⊙ : Rock bucket

★ : Casting bucket

9. RECOMMENDED OILS

Use only oils listed below or equivalent.
Do not mix different brand oil.

Service point	Kind of fluid	Capacity l (U.S. gal)	Ambient temperature °C (°F)						
			-20 (-4)	-10 (14)	0 (32)	10 (50)	20 (68)	30 (86)	40 (104)
Engine oil pan	Engine oil	27.3(7.2)	SAE 30						
			SAE 10W						
			SAE 10W-30						
			SAE 15W-40						
Swing drive	Gear oil	6(1.6)	SAE 85W-140						
Final drive		5.5 × 2 (1.5 × 2)							
Hydraulic tank	Hydraulic oil	Tank; 210(55.5)	ISO VG 32						
		System; 320(84.5)	ISO VG 46						
			ISO VG 68						
Fuel tank	Diesel fuel	480(126.8)	ASTM D975 NO.1						
			ASTM D975 NO.2						
Fitting (Grease nipple)	Grease	As required	NLGI NO.1						
			NLGI NO.2						
Radiator (Reservoir tank)	Mixture of antifreeze and water 50 : 50	50(13.2)	Ethylene glycol base permanent type						

SAE : Society of Automotive Engineers

API : American Petroleum Institute

ISO : International Organization for Standardization

NLGI : National Lubricating Grease Institute

ASTM : American Society of Testing and Material