

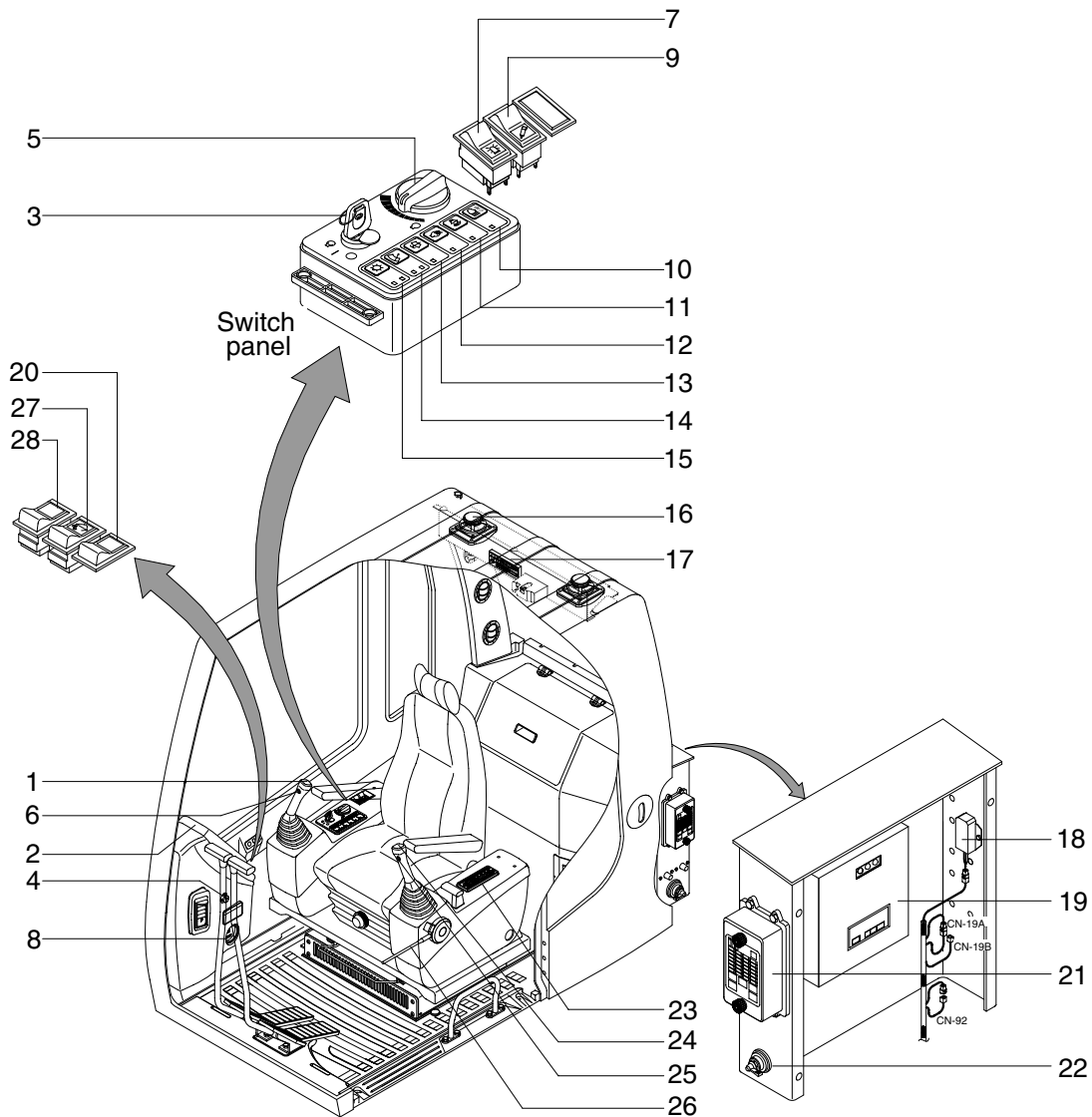
## SECTION 4 ELECTRICAL SYSTEM

Group 1 Component Location .....	4-1
Group 2 Electrical Circuit .....	4-3
Group 3 Electrical Component Specification .....	4-20
Group 4 Connectors .....	4-28

# SECTION 4 ELECTRICAL SYSTEM

## GROUP 1 COMPONENT LOCATION

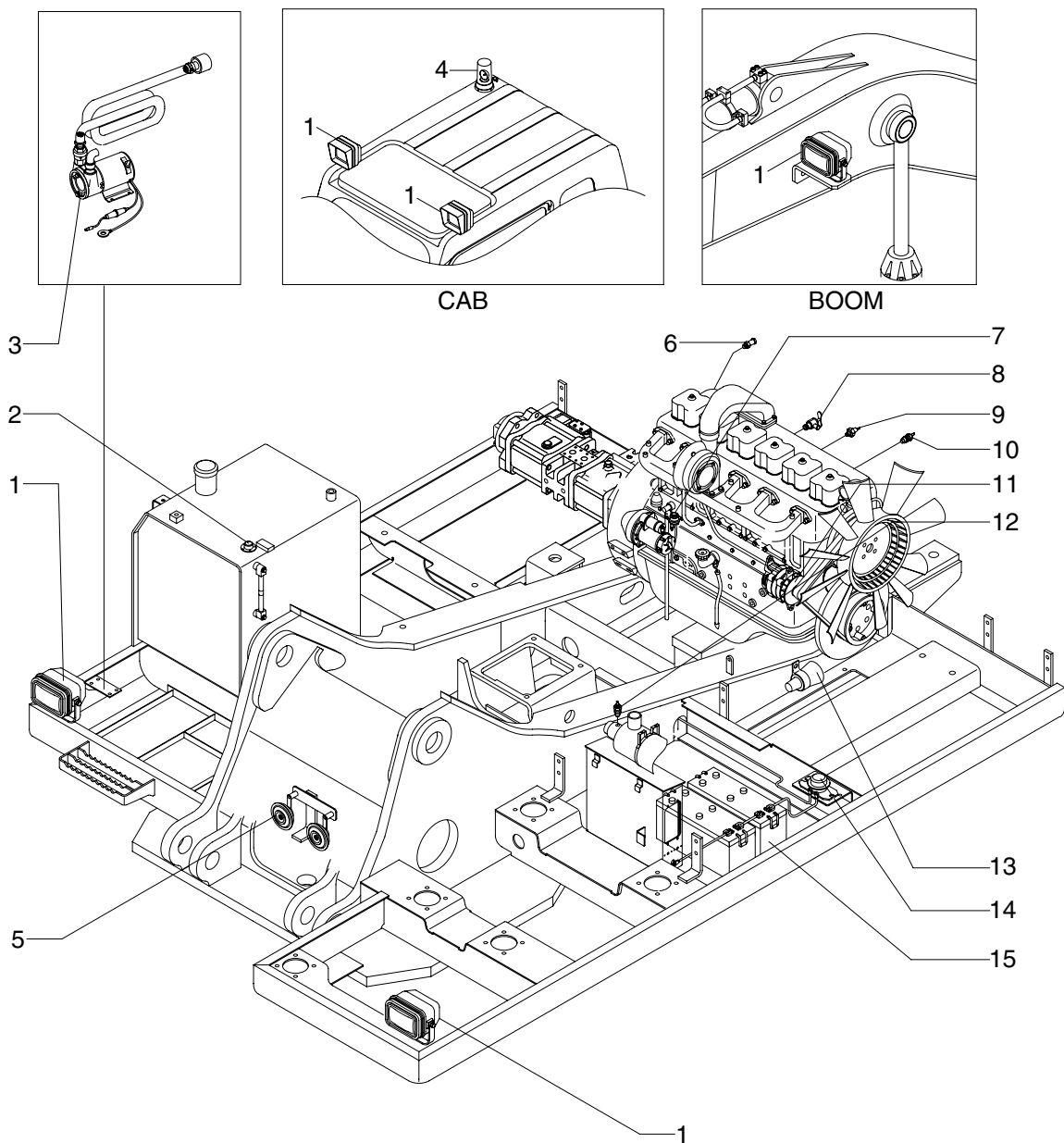
### 1. LOCATION 1



30074EL01B

- |    |                          |    |                          |    |                               |
|----|--------------------------|----|--------------------------|----|-------------------------------|
| 1  | Horn switch              | 11 | Travel alarm stop switch | 21 | Fuse box                      |
| 2  | Cluster                  | 12 | Preheat switch           | 22 | Master switch                 |
| 3  | Starting switch          | 13 | Washer switch            | 23 | Air con & heater switch panel |
| 4  | Cigar lighter            | 14 | Wiper switch             | 24 | One touch decel switch        |
| 5  | Accel dial               | 15 | Main light switch        | 25 | Power max switch              |
| 6  | Breaker switch           | 16 | Speaker                  | 26 | Safety lever                  |
| 7  | Beacon switch            | 17 | Cassette & radio         | 27 | Overload switch               |
| 8  | Service meter            | 18 | Prolix resistor          | 28 | Quick clamp switch            |
| 9  | Breaker selection switch | 19 | MCU controller           |    |                               |
| 10 | Cab light switch         | 20 | ECONO switch             |    |                               |

## 2. LOCATION 2



30007A4EL02

- |   |                  |    |                            |    |                     |
|---|------------------|----|----------------------------|----|---------------------|
| 1 | Lamp             | 6  | Speed sensor               | 11 | Alternator          |
| 2 | Fuel sender      | 7  | Start relay                | 12 | Air cleaner switch  |
| 3 | Fuel filler pump | 8  | Heater valve               | 13 | Travel alarm buzzer |
| 4 | Beacon lamp      | 9  | Engine oil pressure switch | 14 | Battery relay       |
| 5 | Horn             | 10 | Temp sender                | 15 | Battery             |