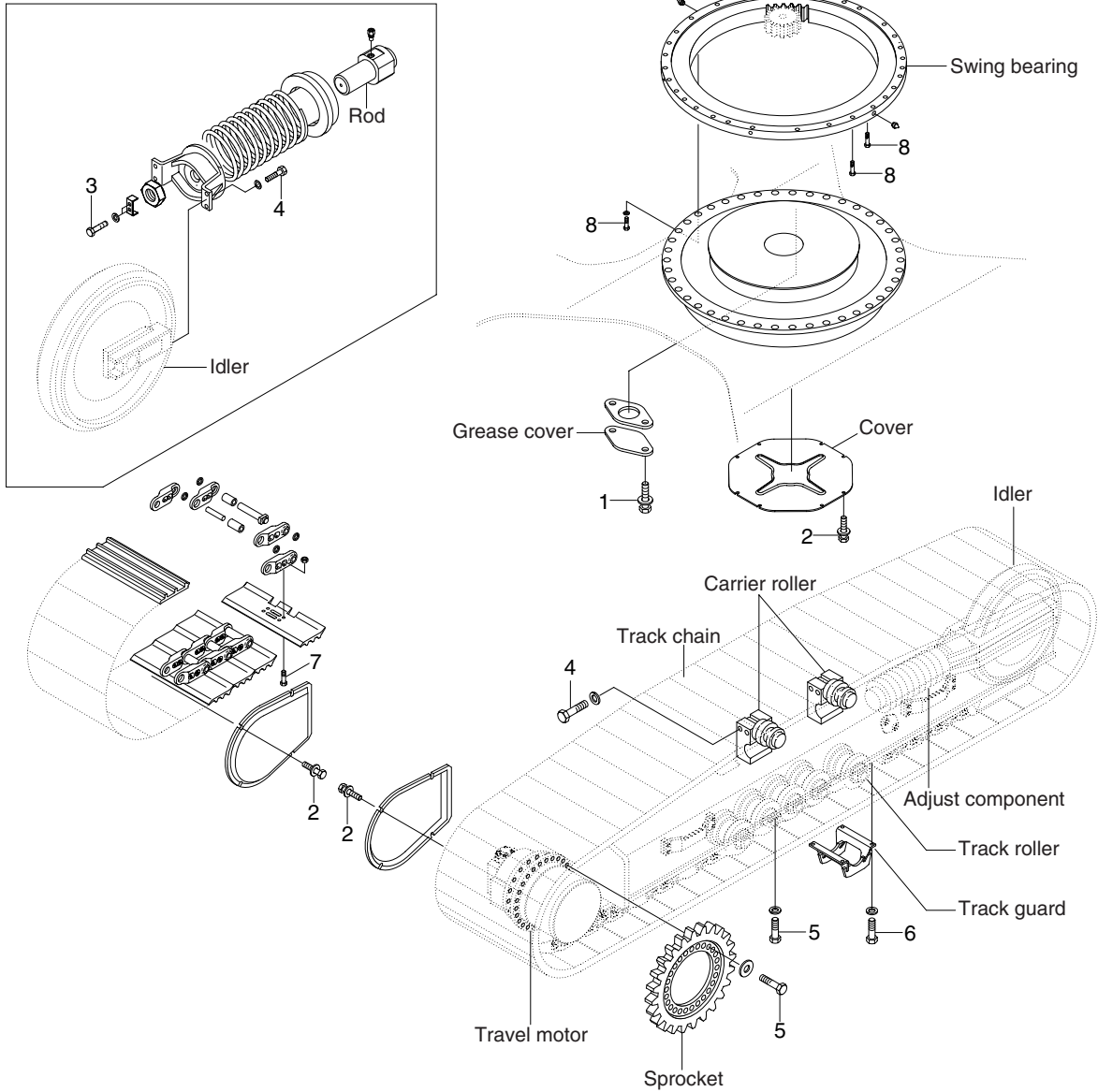


GROUP 5 UNDERCARRIAGE

UNDERCARRIAGE MOUNTING

ADJUST COMPONENT



2909MH9CM08

· Tightening torque

Item	Size	kgf · m	lbf · ft
1	M10×1.5	6.9±1.4	49.9±10.1
2	M12×1.75	12.8±3.0	92.6±21.7
3	M12×1.75	15±0.5	108±3.6
4	M16×2.0	29.7±3.0	215±21.7

Item	Size	kgf · m	lbf · ft
5	M20×2.5	57.9±6.0	419±43.4
6	M20×2.5	57.9±8.6	419±62.2
7	M22×1.5	123±6.0	890±43.4
8	M24×3.0	100±10	723±72.3