

SECTION 5 MECHATRONICS SYSTEM

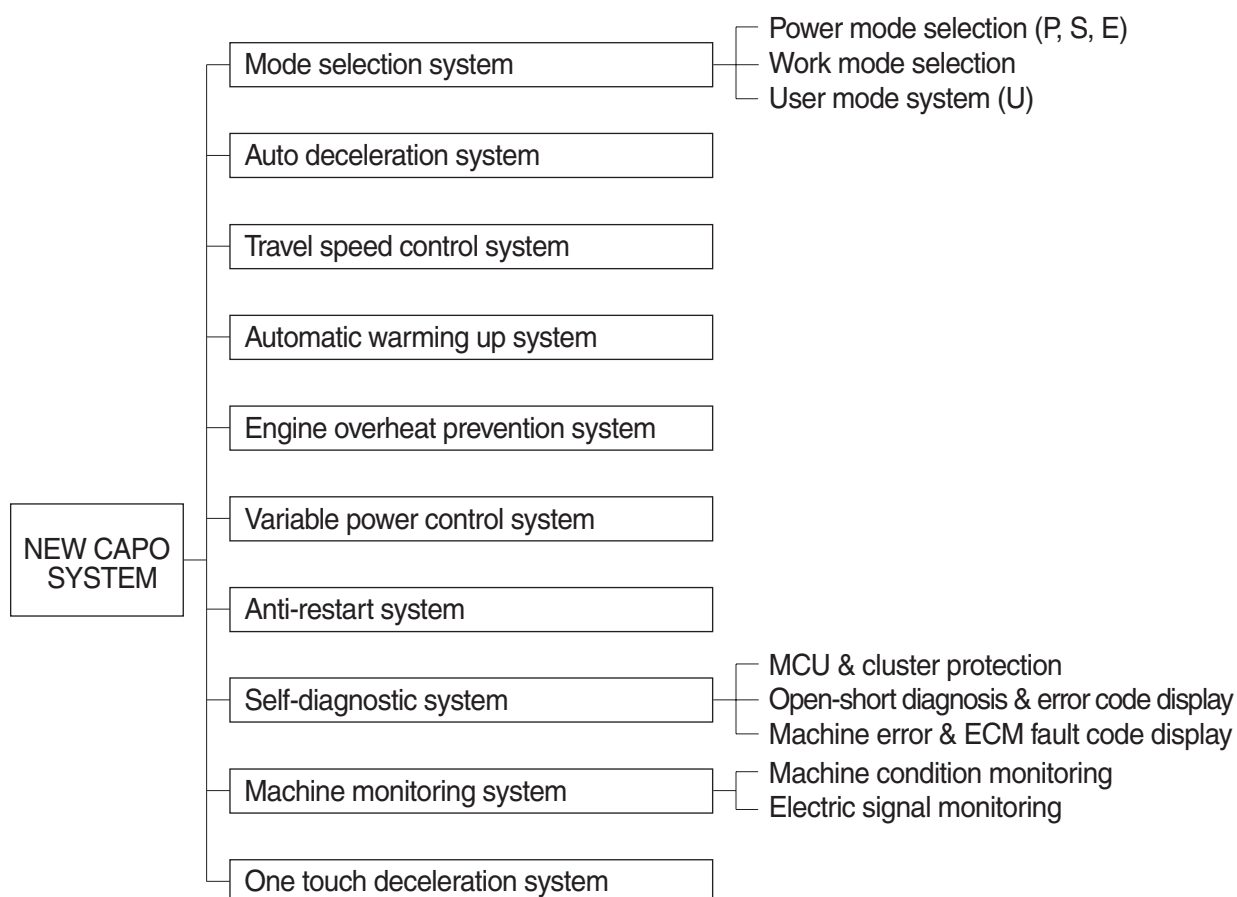
Group 1 Outline.....	5-1
Group 2 Mode Selection System	5-3
Group 3 Automatic Deceleration System	5-6
Group 4 Travel Speed Control System	5-7
Group 5 Automatic Warming Up System	5-8
Group 6 Engine Overheat Prevention System	5-9
Group 7 Variable Power Control System	5-10
Group 8 Anti-Restart System	5-11
Group 9 Self-Diagnostic System	5-12
Group 10 Engine Control System	5-25
Group 11 EPPR Valve	5-26
Group 12 Monitoring System	5-31
Group 13 Fuel Warmer System	5-54

SECTION 5 MECHATRONICS SYSTEM

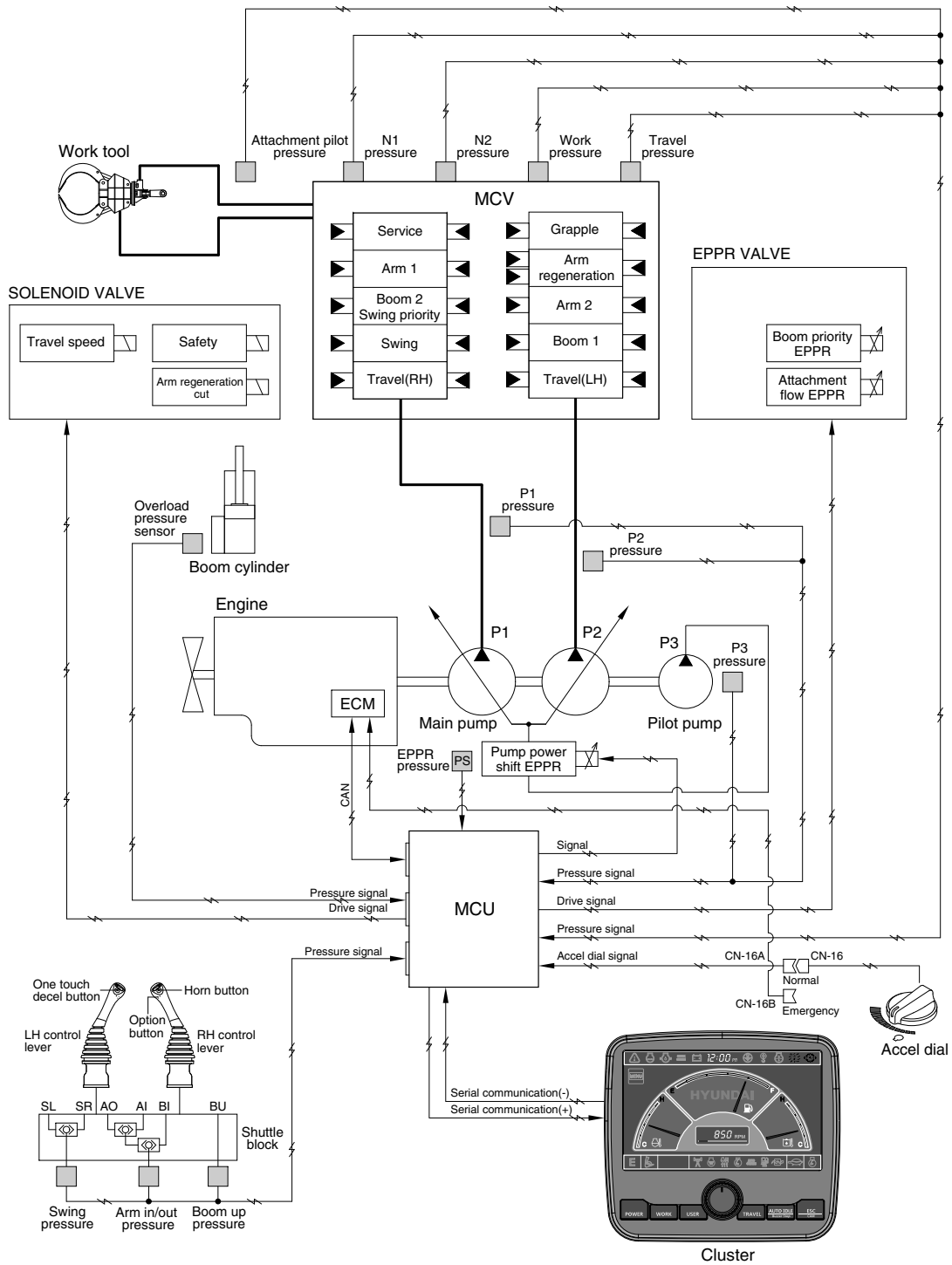
GROUP 1 OUTLINE

The NEW CAPO (Computer Aided Power Optimization) system controls engine and pump mutual power at an optimum and less fuel consuming state for the selected work by mode selection, auto-deceleration, etc. It monitors machine conditions, for instance, engine speed, coolant temperature, hydraulic oil temperature, and hydraulic oil pressure, etc.

It consists of a MCU, a cluster, an ECM, EPPR valves, and other components. The MCU and the cluster protect themselves from over-current and high voltage input, and diagnose malfunctions caused by short or open circuit in electric system, and display error codes on the cluster.



SYSTEM DIAGRAM



2909MH5MS01