

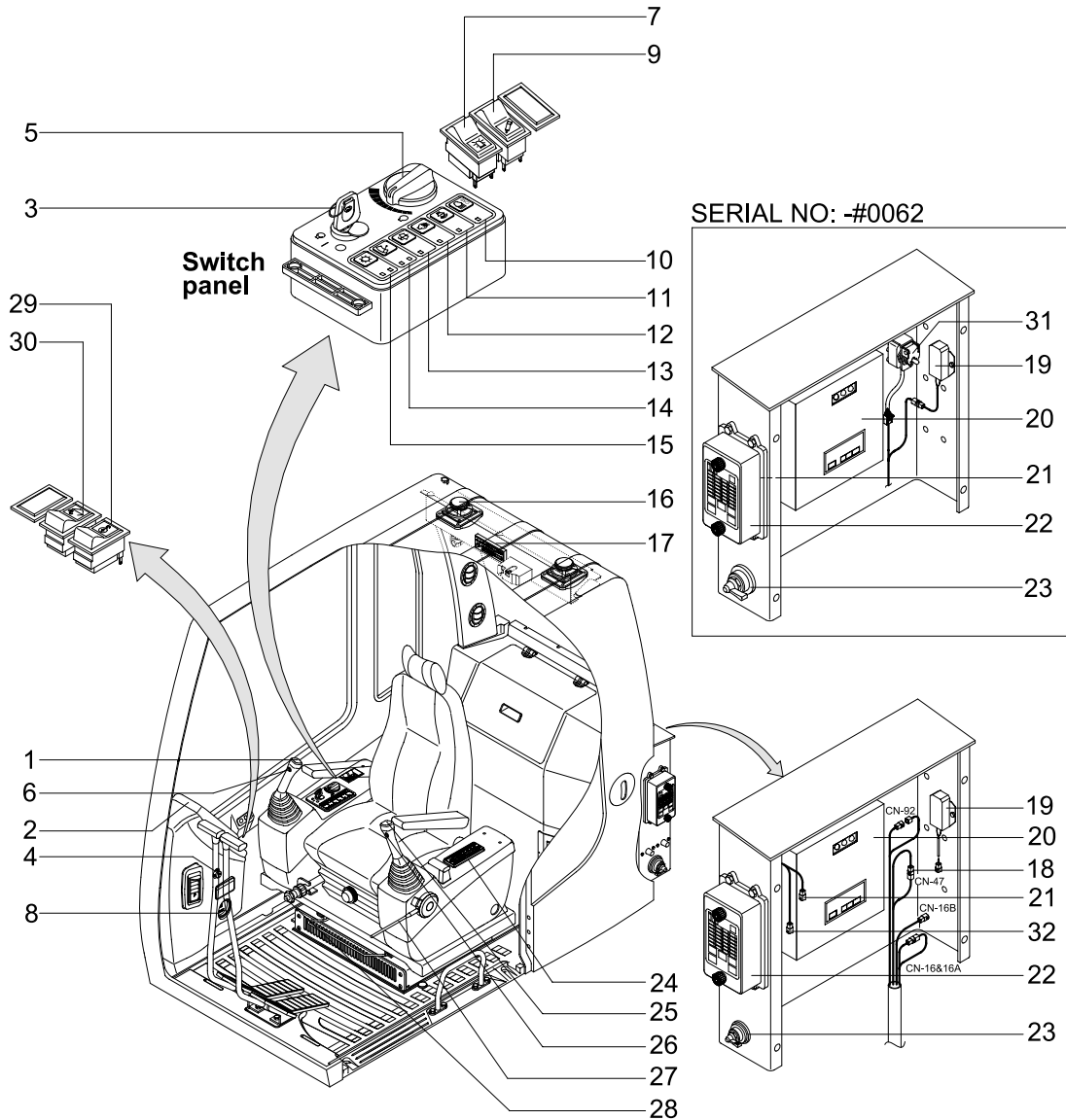
## SECTION 4 ELECTRICAL SYSTEM

Group 1 Component Location	4-1
Group 2 Electrical Circuit (up to #0111)	4-3
Group 3 Electrical Component Specification	4-19
Group 4 Connectors	4-28
Group 5 Electrical Circuit (#0112 and up, TIER II)	4-48

# SECTION 4 ELECTRICAL SYSTEM

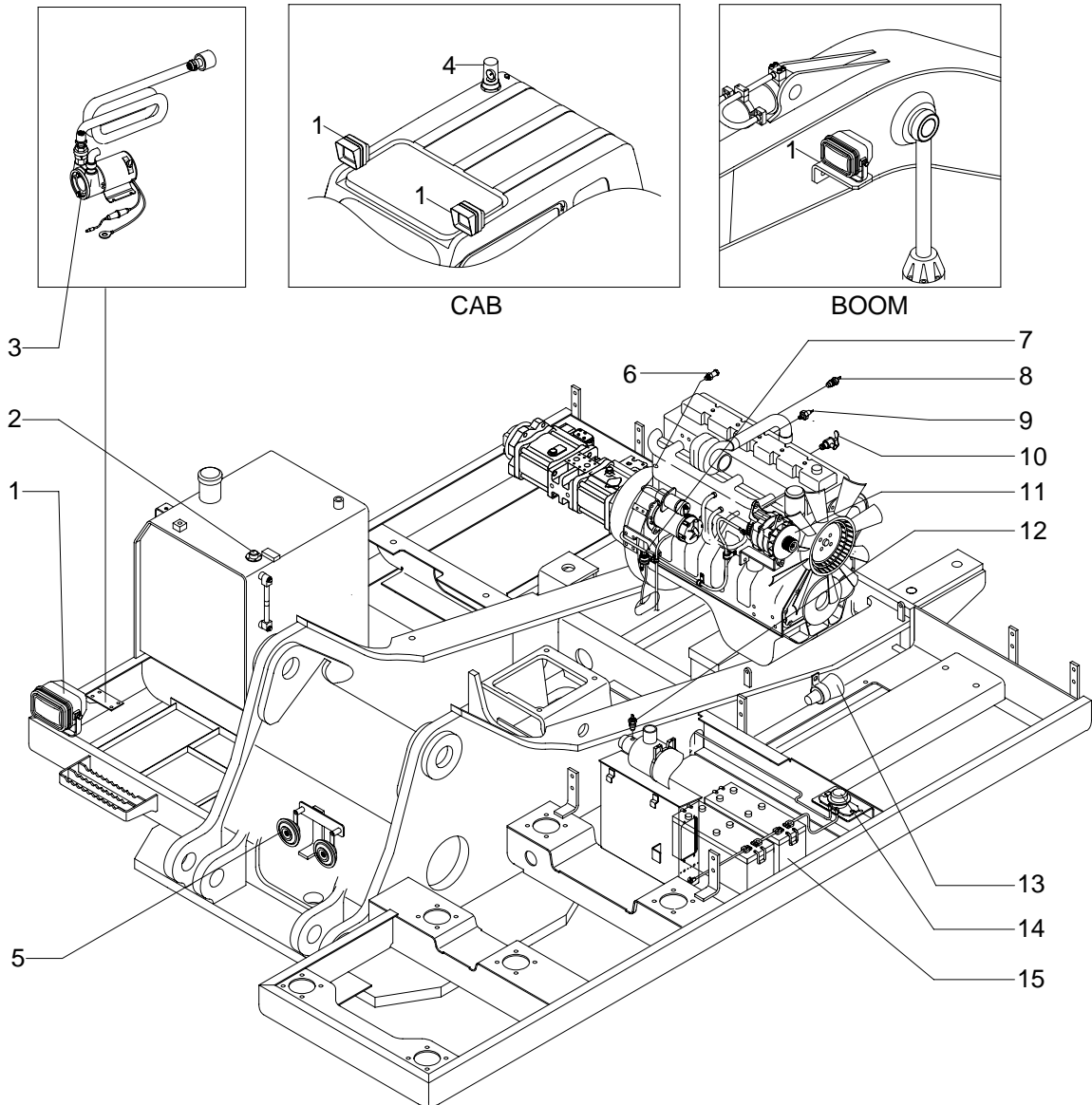
## GROUP 1 COMPONENT LOCATION

### 1. LOCATION 1



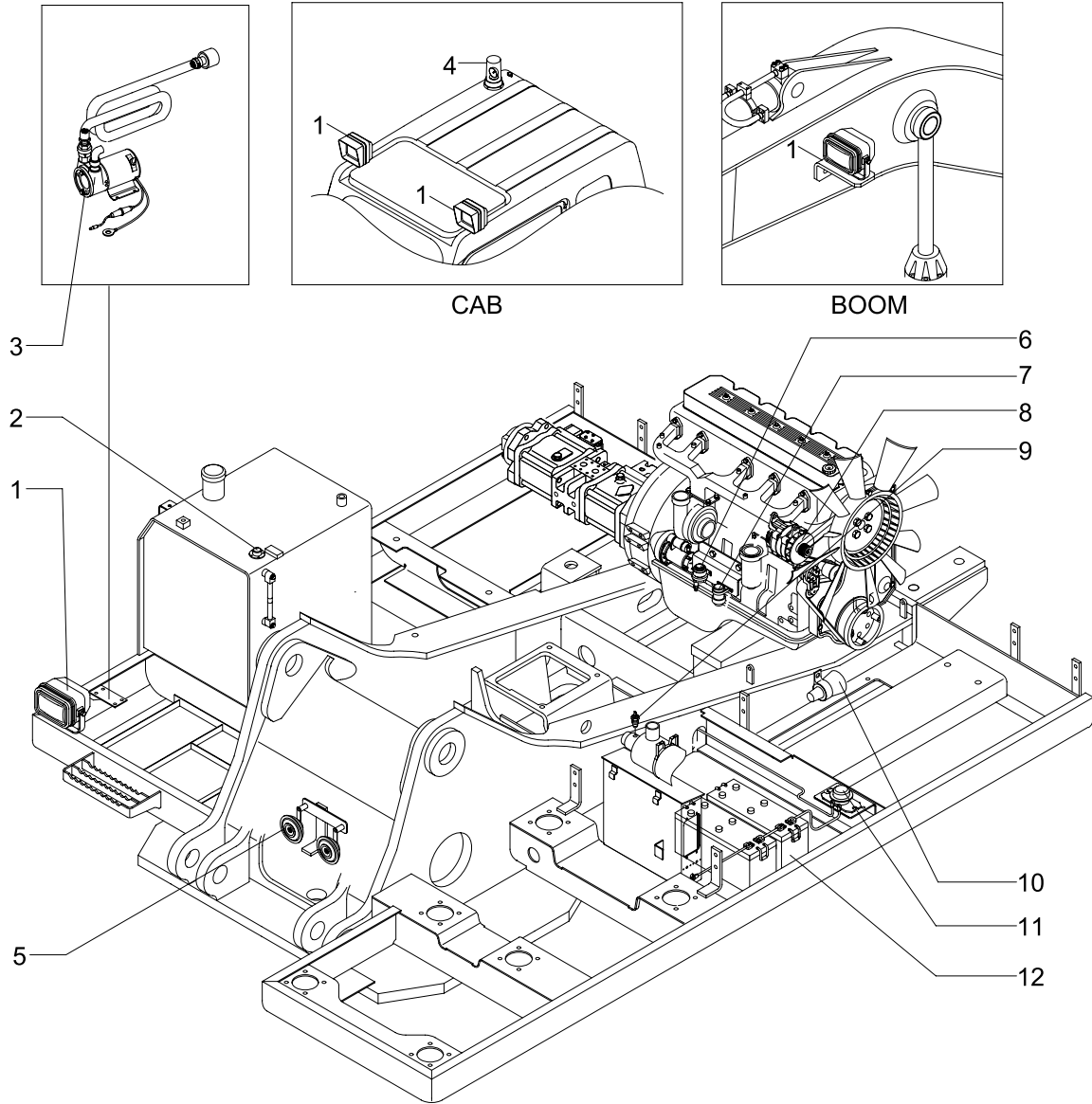
- |    |                          |    |  |    |  |
|----|--------------------------|----|--|----|--|
| 1  | Horn switch              | 13 | Washer switch                          | 24 | Air con & heater switch panel                                    |
| 2  | Cluster                  | 14 | Wiper switch                           | 25 | One touch decel switch   |
| 3  | Starting switch          | 15 | Main light switch                      | 26 | Power max switch   |
| 4  | Cigar lighter            | 16 | Speaker                                | 27 | Safety lever   |
| 5  | Accel dial               | 17 | Cassette & radio                       | 28 | Emergency engine control lever<br>(Push pull cable, up to #0062) |
| 6  | Breaker switch           | 18 | Emergency engine<br>starting connector | 29 | Overload switch  |
| 7  | Beacon switch            | 19 | Resistor                               | 30 | Quick clamp switch   |
| 8  | Service meter            | 20 | CPU controller                         | 31 | Prolix switch  |
| 9  | Breaker selection switch | 21 | RS232 serial port                      | 32 | J1939 serial connector<br>(#0112 and up, TIER II)                |
| 10 | Cab light switch         | 22 | Fuse box                               |    |  |
| 11 | Travel alarm stop switch | 23 | Master switch                          |    |  |
| 12 | Preheat switch           |    |  |    |  |

## 2. LOCATION 2 (up to #0111)



- |   |                  |    |                            |    |                     |
|---|------------------|----|----------------------------|----|---------------------|
| 1 | Lamp             | 6  | Speed sensor               | 11 | Alternator          |
| 2 | Fuel sender      | 7  | Start relay                | 12 | Air cleaner switch  |
| 3 | Fuel filler pump | 8  | Temp sender                | 13 | Travel alarm buzzer |
| 4 | Beacon lamp      | 9  | Engine oil pressure switch | 14 | Battery relay       |
| 5 | Horn             | 10 | Heater valve               | 15 | Battery             |

2. LOCATION 2 (#0112 and up, TIER II)



- |   |                  |   |              |    |                     |
|---|------------------|---|--------------|----|---------------------|
| 1 | Lamp             | 5 | Horn         | 9  | Air cleaner switch  |
| 2 | Fuel sender      | 6 | Start relay  | 10 | Travel alarm buzzer |
| 3 | Fuel filler pump | 7 | Heater valve | 11 | Battery relay       |
| 4 | Beacon lamp      | 8 | Alternator   | 12 | Battery             |