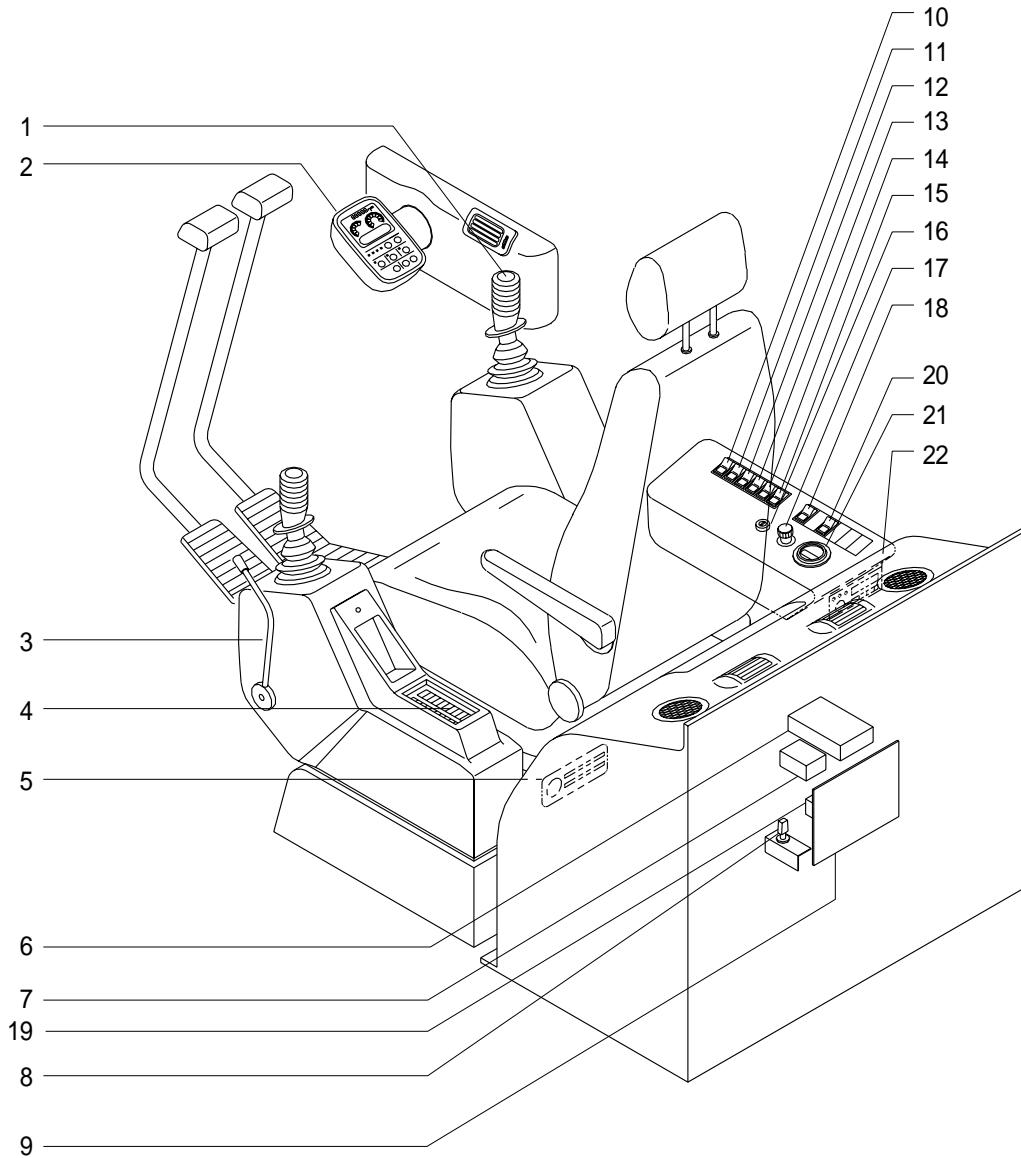


SECTION 4 ELECTRICAL SYSTEM

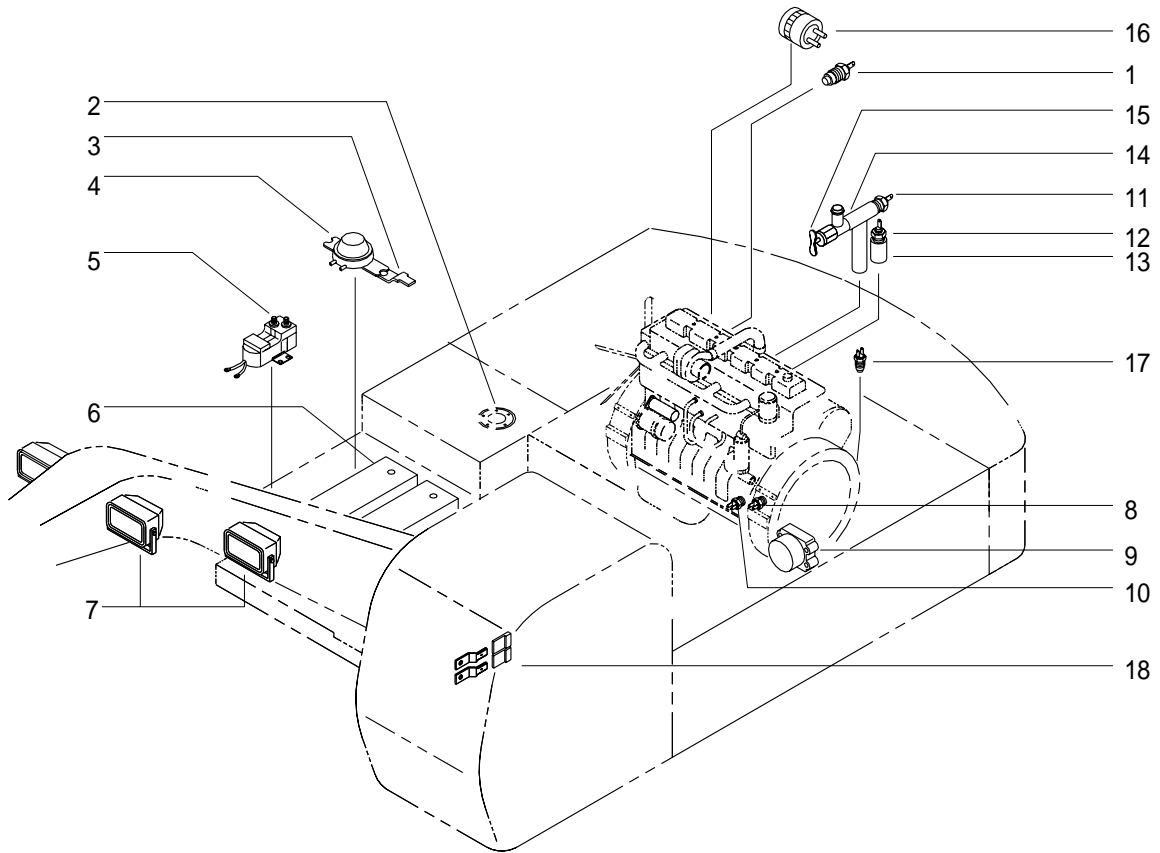
GROUP 1 COMPONENT LOCATION

1. LOCATION 1



- | | | | | | |
|---|------------------------|----|----------------------|----|----------------------------------|
| 1 | Horn switch | 9 | Relay board assembly | 17 | Cigar lighter switch |
| 2 | Cluster | 10 | Washer switch | 18 | Cold start switch |
| 3 | Safety lever | 11 | Wiper switch | 19 | Manual engine acceleration lever |
| 4 | Fuse box | 12 | Head light switch | 20 | Breaker switch(option) |
| 5 | Aircon & heater switch | 13 | Work light switch | 21 | Service meter |
| 6 | CPU controller | 14 | Room lamp switch | 22 | Cassette & Radio |
| 7 | Resister | 15 | Travel alarm switch | | |
| 8 | Prolix switch | 16 | Start switch | | |

2. LOCATION 2



- | | | |
|--------------------------|---------------------------------|----------------------------|
| 1 Hyd temperature sendor | 7 Light | 13 Temperature oil adapter |
| 2 Fuel sendor | 8 Engine speed sensor | 14 Heater adapter |
| 3 Connector plate | 9 Governor motor | 15 Heater valve |
| 4 Battery relay | 10 Press oil switch | 16 Alternator |
| 5 Fuel filler pump | 11 Hydraulic temperature sensor | 17 Air cleaner switch |
| 6 Battery | 12 Over heat switch | 18 Connector plate |