

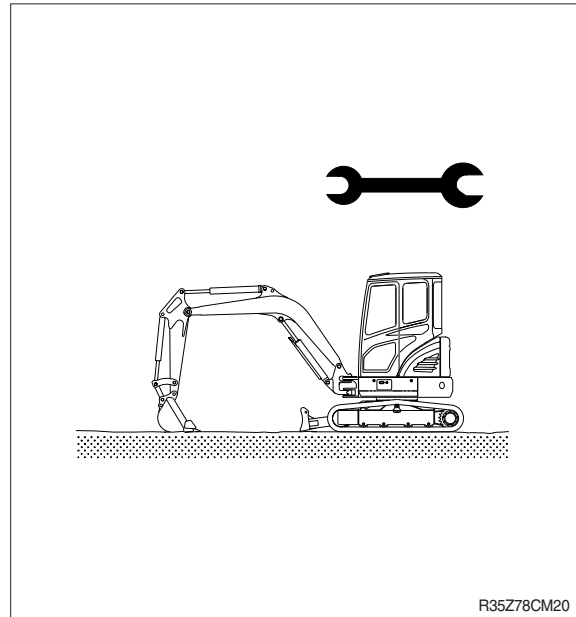
SECTION 8 COMPONENT MOUNTING TORQUE

Group 1	Introduction guide	8-1
Group 2	Engine system	8-2
Group 3	Electric system	8-4
Group 4	Hydraulic system	8-5
Group 5	Undercarriage	8-7
Group 6	Structure	8-8
Group 7	Work equipment	8-10

SECTION 8 COMPONENT MOUNTING TORQUE

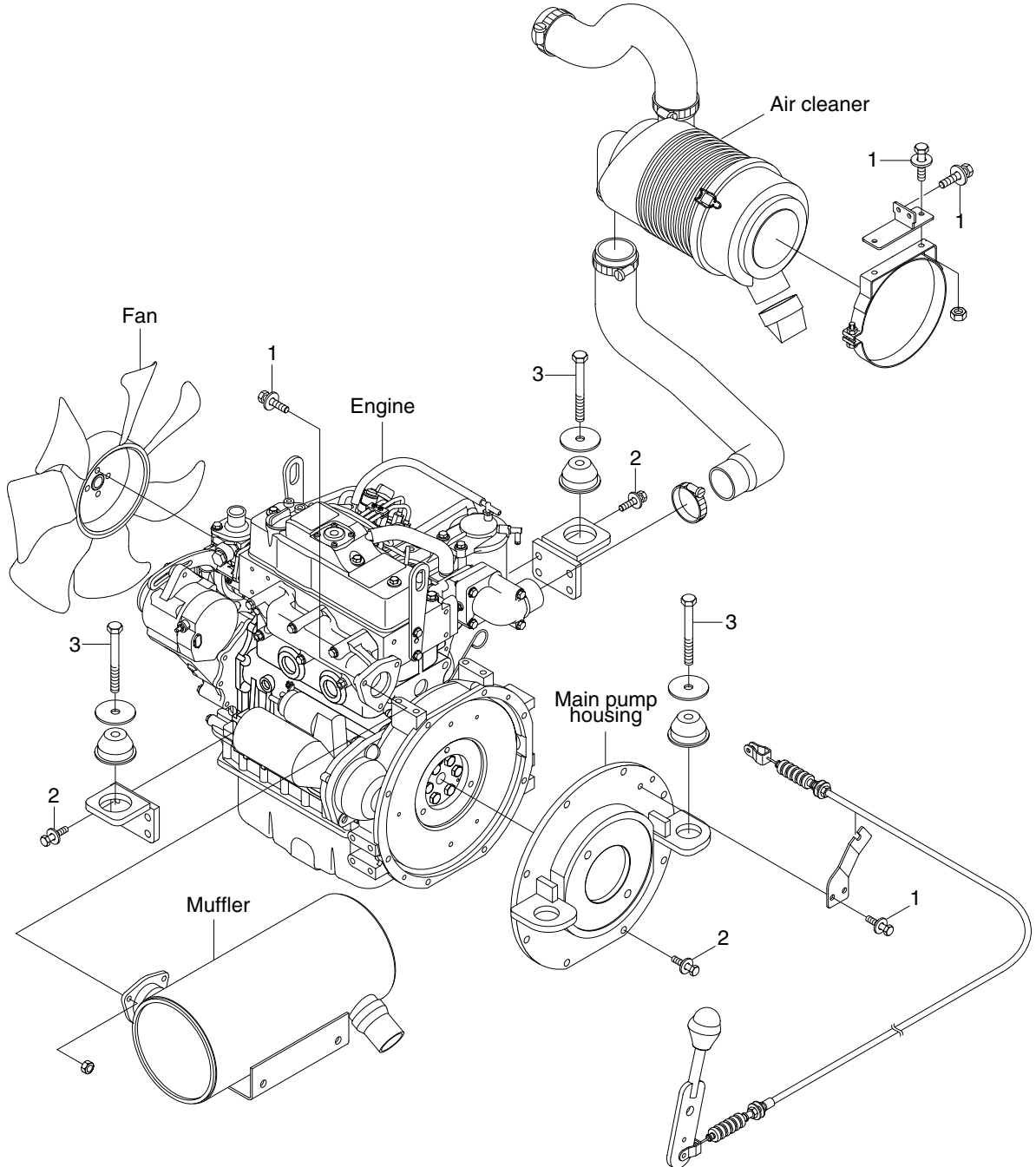
GROUP 1 INTRODUCTION GUIDE

1. This section shows bolt specifications and standard torque values needed when mounting components to the machine.
 2. Use genuine Hyundai spare parts.
We expressly point out that Hyundai will not accept any responsibility for defects resulted from non-genuine parts.
In such cases Hyundai cannot assume liability for any damage.
- ※ **Only metric fasteners can be used and incorrect fasteners may result in machine damage or malfunction.**
 - ※ **Before installation, clean all the components with a non-corrosive cleaner. Bolts and threads must not be worn or damaged.**



GROUP 2 ENGINE SYSTEM

1. ENGINE AND ACCESSORIES MOUNTING



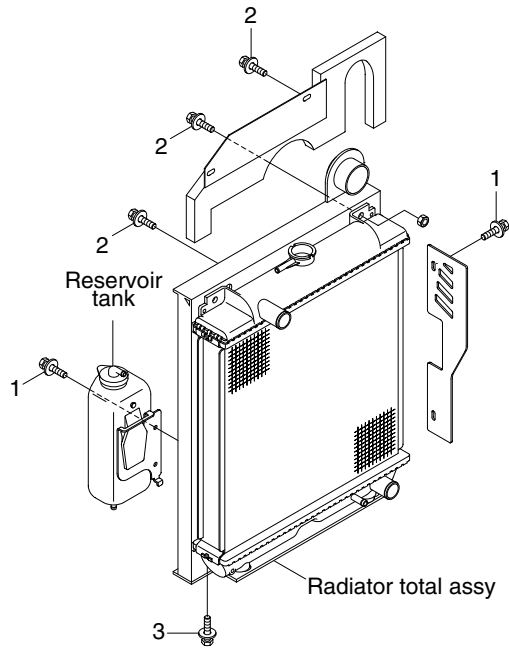
R27Z98CM01

• Tightening torque

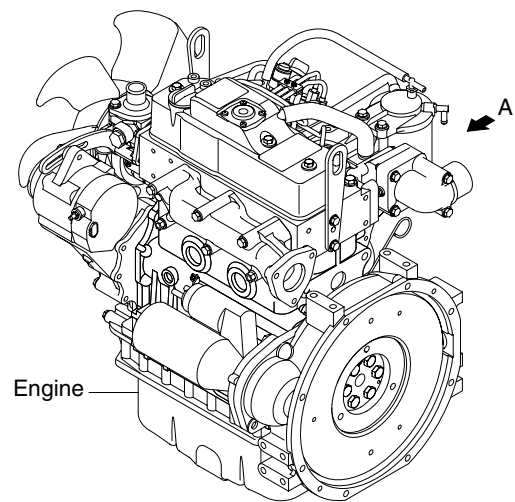
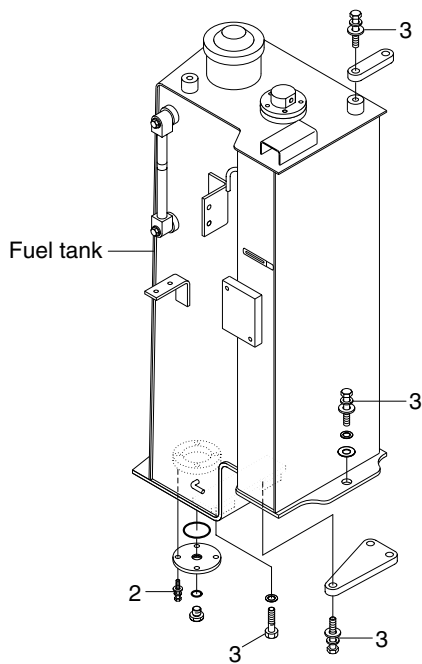
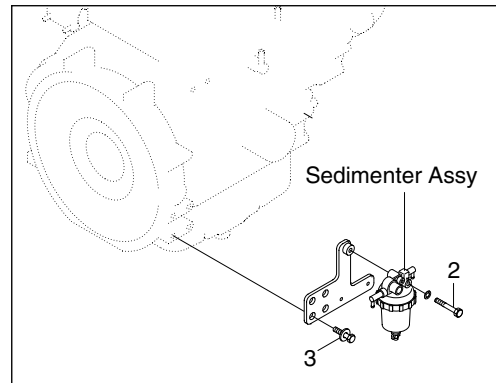
Item	Size	kgf · m	lbf · ft
1	M 8×1.25	2.5±0.5	18.1±3.6
2	M10×1.2	7.3±1.0	52.8±7.2

Item	Size	kgf · m	lbf · ft
3	M12×1.75	10±1.0	72.3±7.2

2. COOLING SYSTEM AND FUEL TANK MOUNTING



VIEW A



R27Z98CM02

· Tightening torque

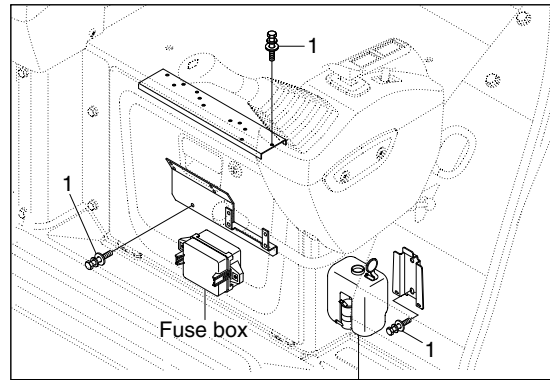
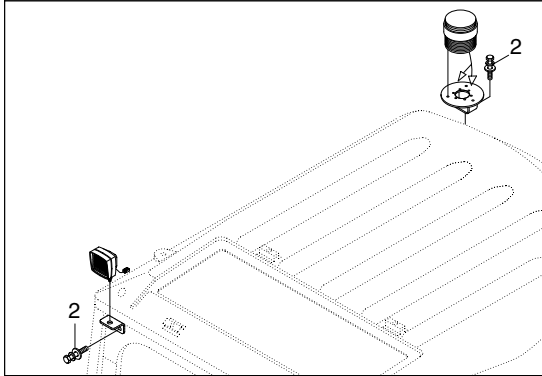
Item	Size	kgf · m	lbf · ft
1	M 6×1.0	1.05±0.2	7.6±1.45
2	M 8×1.25	2.5±0.5	18.1±3.6

Item	Size	kgf · m	lbf · ft
3	M 12×1.75	12.8±3.0	92.6±21.7

GROUP 3 ELECTRIC SYSTEM

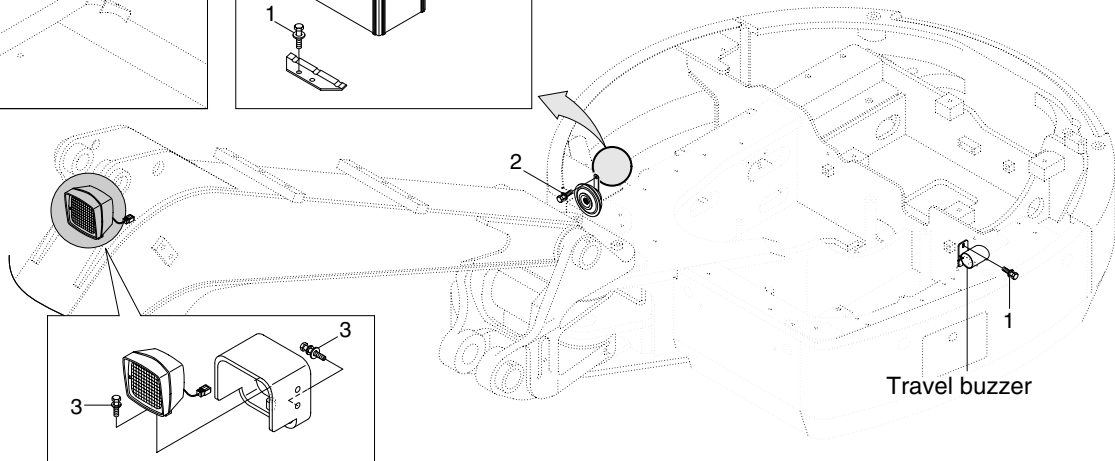
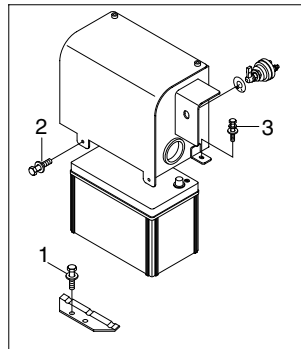
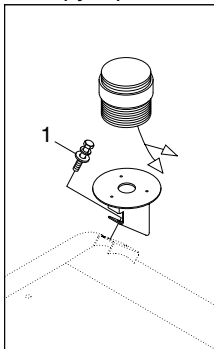
1. ELECTRIC COMPONENTS MOUNTING 1

Cabin top



Washer tank

Canopy top



Travel buzzer

R27Z98CM03

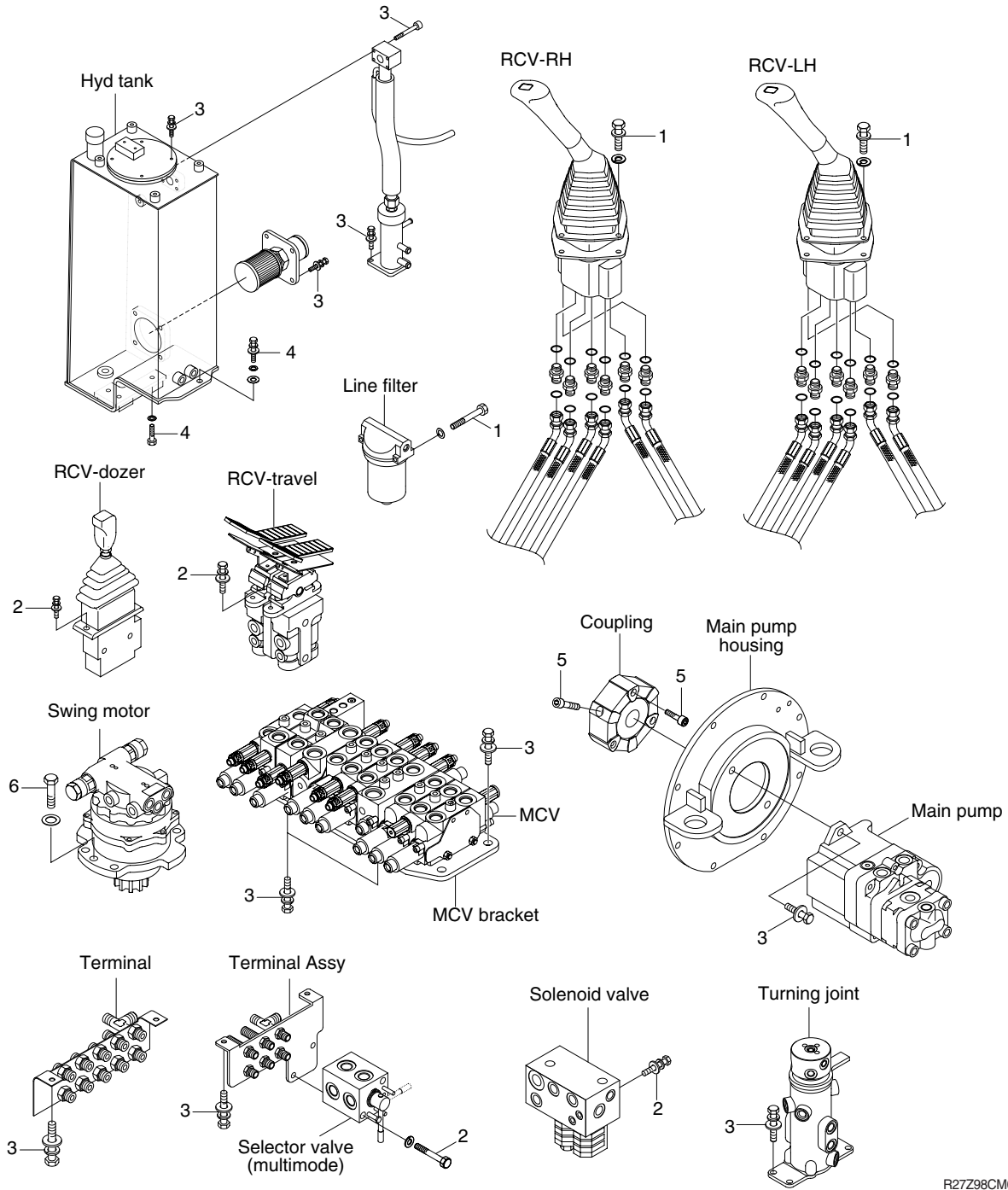
· Tightening torque

Item	Size	kgf · m	lbf · ft
1	M 6×1.0	1.05±0.2	7.6±1.45
2	M 8×1.25	2.5±0.5	18.1±3.6

Item	Size	kgf · m	lbf · ft
3	M10×1.5	6.9±1.4	49.9±10.1

GROUP 4 HYDRAULIC SYSTEM

1. HYDRAULIC COMPONENTS MOUNTING 1



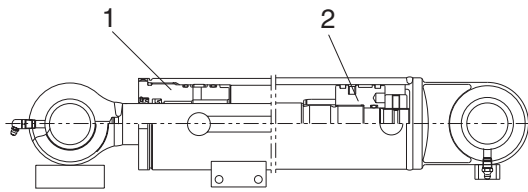
R27Z98CM05

· Tightening torque

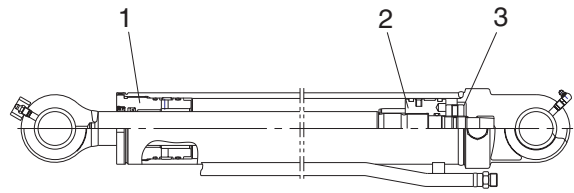
Item	Size	kgf · m	lbf · ft
1	M 6×1.0	1.05±0.2	7.6±1.45
2	M 8×1.25	2.5±0.5	18.1±3.6
3	M10×1.5	6.9±1.4	49.9±10.1

Item	Size	kgf · m	lbf · ft
4	M12×1.75	12.8±3.0	93±22.0
5	M12×1.75	9.25±0.25	69±14.0
6	M14×2.0	12.0±1.0	88.0±7.2

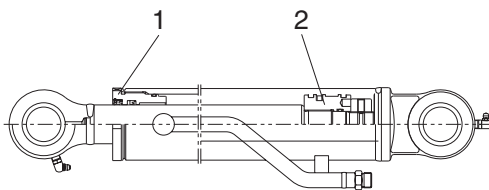
2. HYDRAULIC COMPONENTS MOUNTING 2



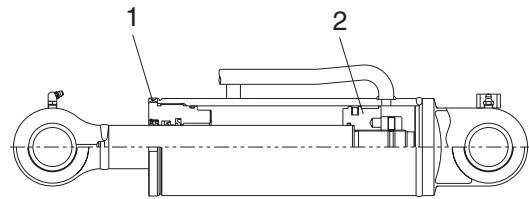
Boom cylinder



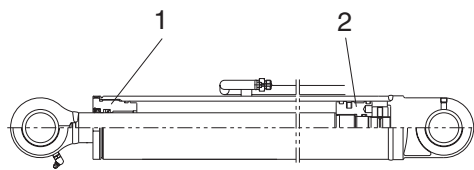
Arm cylinder



Bucket cylinder



Dozer cylinder



Boom swing cylinder

R27Z98CM07

• Tightening torque

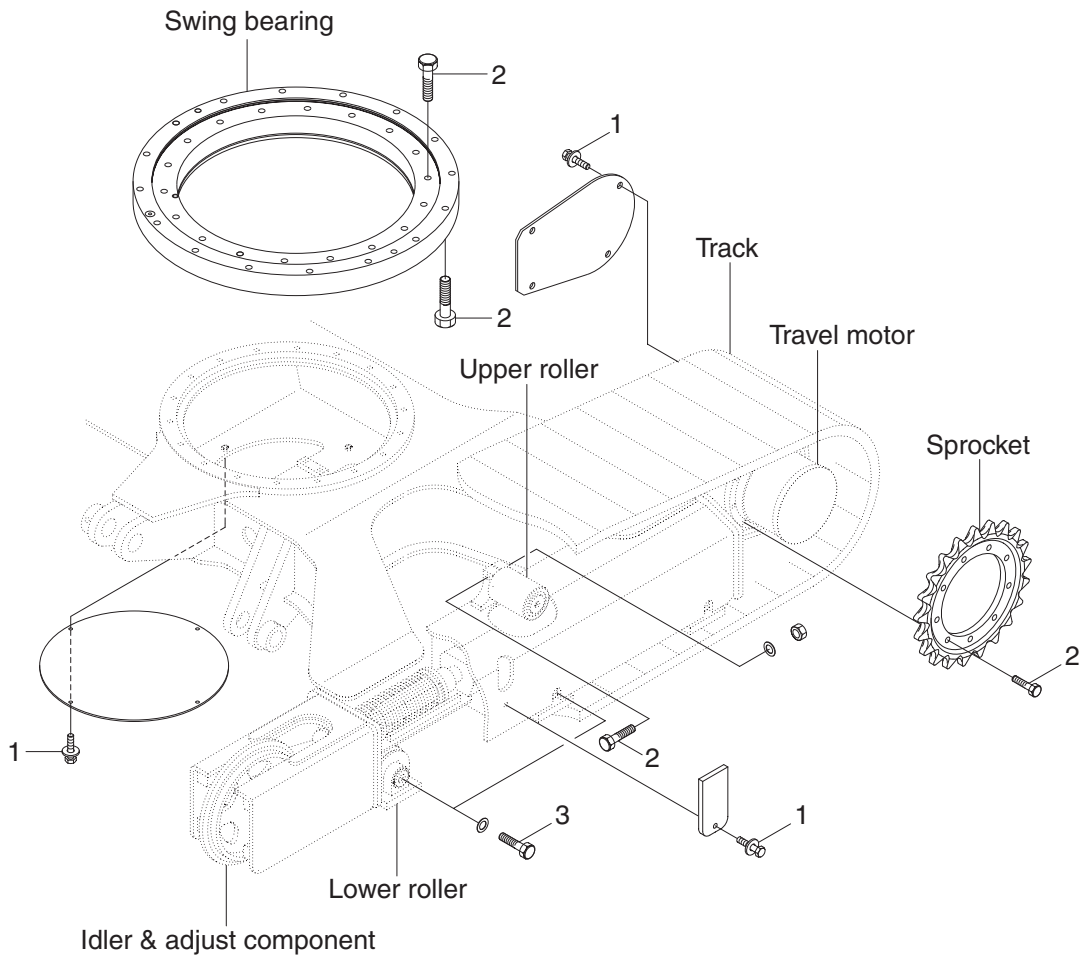
1) Gland

Item	Size	kgf · m	lbf · ft
Boom cylinder	M80 × 2	70 ± 7.0	506 ± 50.6
Arm cylinder	M70 × 2	50 ± 5.0	362 ± 36.2
Bucket cylinder	M65 × 2	50 ± 5.0	362 ± 36.2
Dozer cylinder	M90 × 2	70 ± 7.0	506 ± 50.6
Boom swing cylinder	M80 × 2	70 ± 7.0	506 ± 50.6

2) Piston

Item	Size	kgf · m	lbf · ft
Boom cylinder	M30 × 2	75 ± 7.5	542 ± 54.2
Arm cylinder	M27 × 2	50 ± 5.0	362 ± 36.2
Bucket cylinder	M27 × 2	50 ± 5.0	362 ± 36.2
Dozer cylinder	M36 × 2	75 ± 7.5	542 ± 54.2
Boom swing cylinder	M32 × 2	75 ± 7.5	542 ± 54.2

GROUP 5 UNDERCARRIAGE



R27Z98CM08

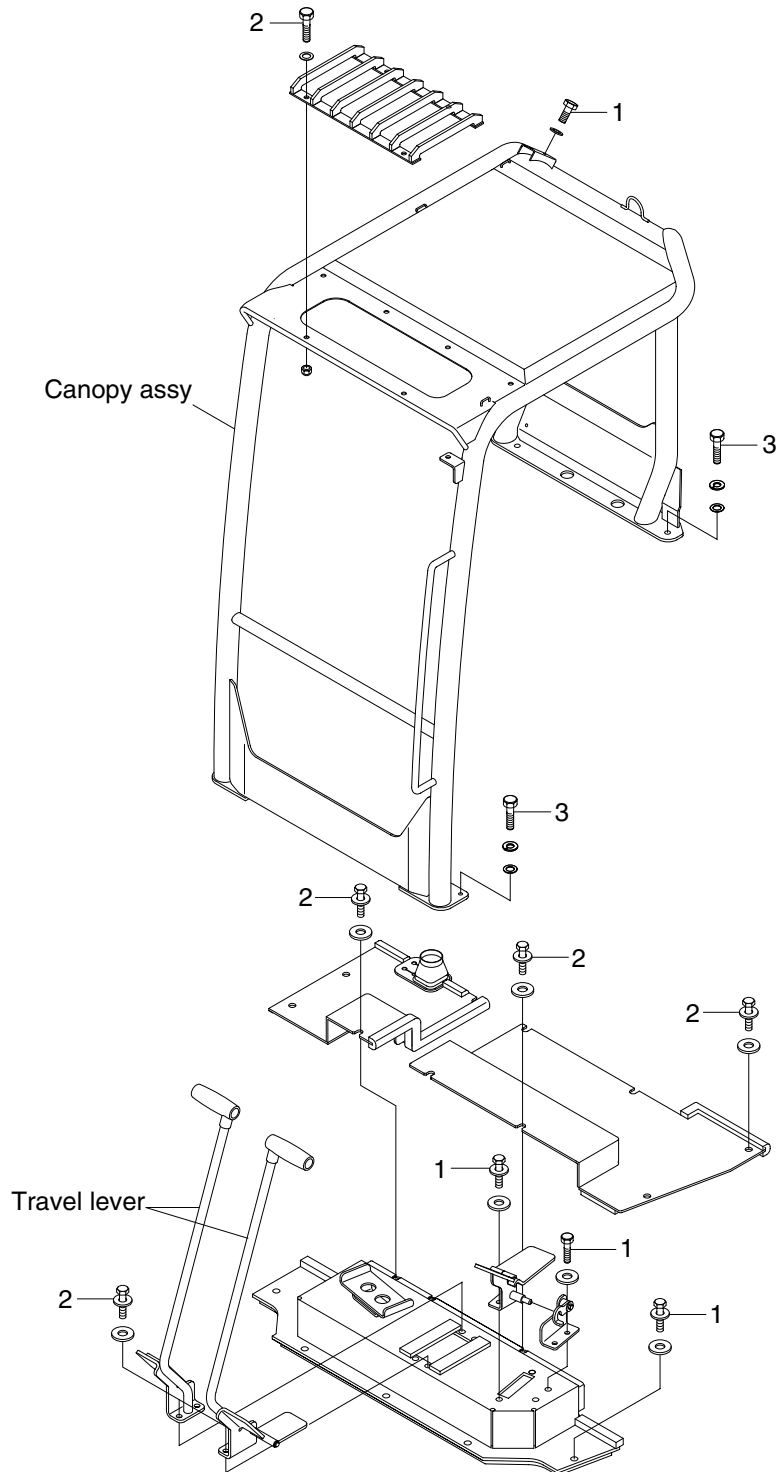
· Tightening torque

Item	Size	kgf · m	lbf · ft
1	M10×1.5	6.9±1.4	49.9±10.1
2	M12×1.75	12.3±1.2	89±8.7

Item	Size	kgf · m	lbf · ft
3	M16×2.0	29.7±3	215±21.7

GROUP 6 STRUCTURE

1. CANOPY AND ACCESSORIES MOUNTING



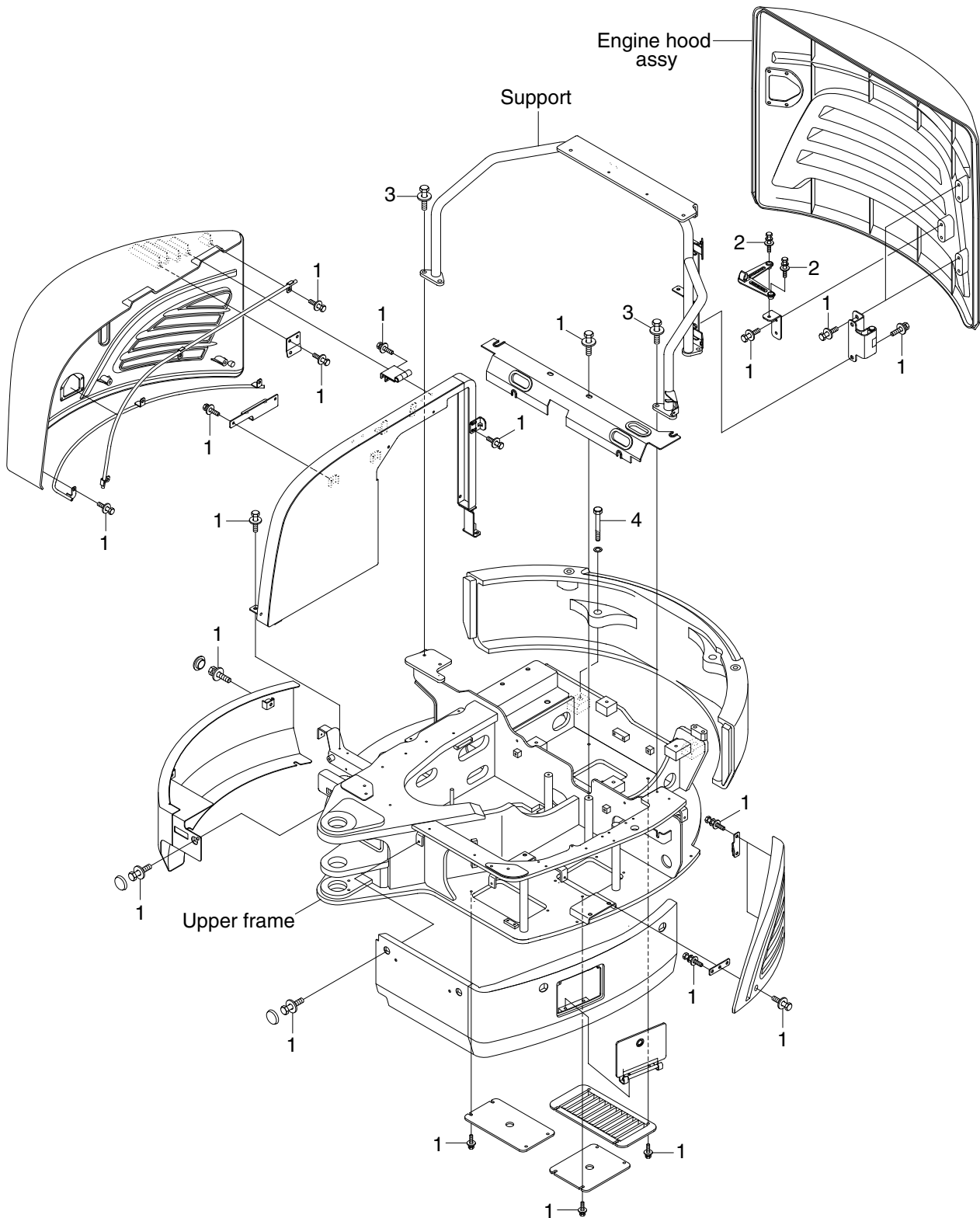
R27Z98CM09

· Tightening torque

Item	Size	kgf · m	lbf · ft
1	M8×1.25	2.5±0.5	18.1±3.6
2	M10×1.5	6.9±1.4	50±10

Item	Size	kgf · m	lbf · ft
3	M12×1.75	12.8±3.0	92.6±21.7

2. COWLING MOUNTING



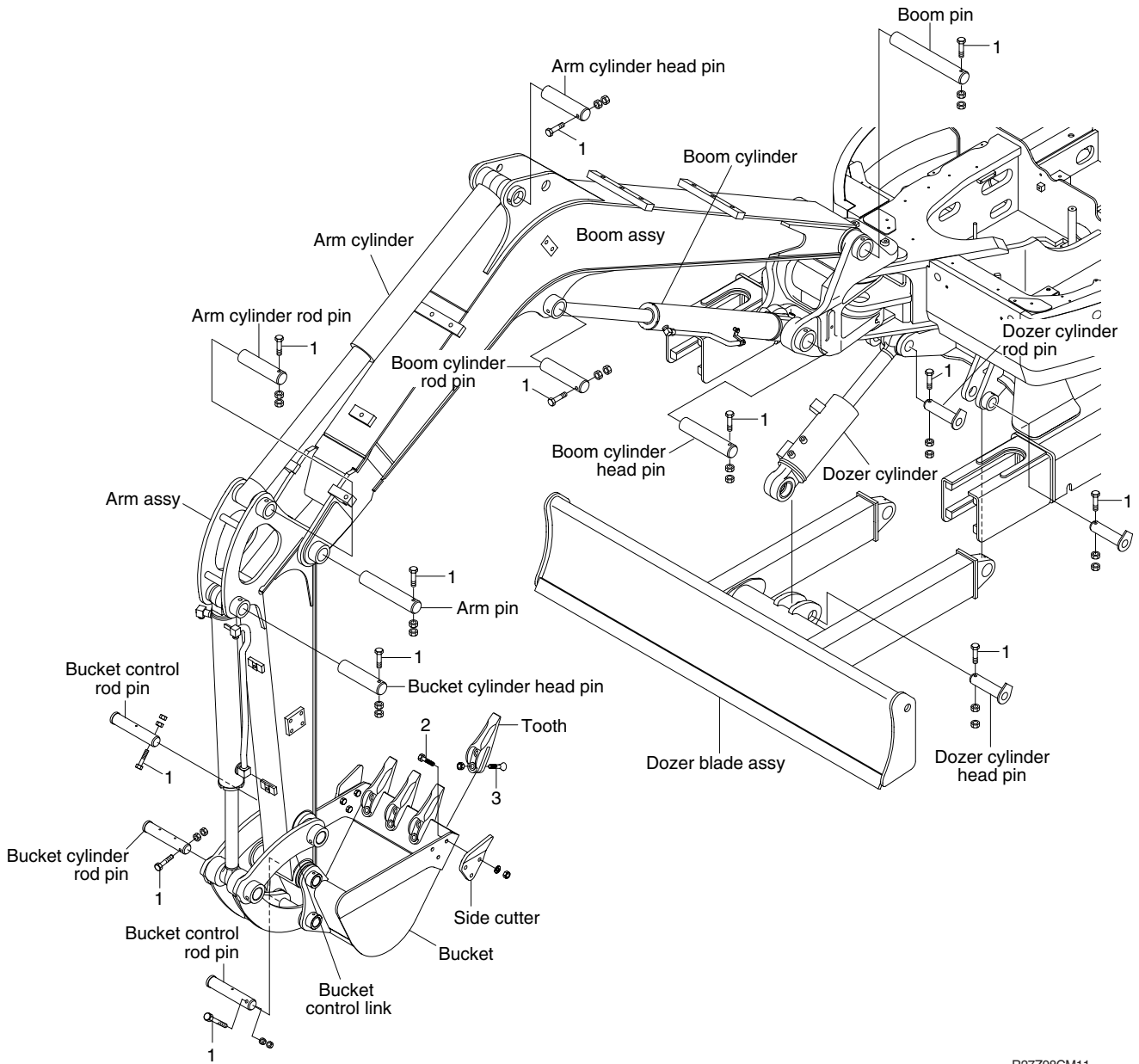
R27Z98CM10

· Tightening torque

Item	Size	kgf · m	lbf · ft
1	M 8×1.25	2.5±0.5	18.1±3.6
2	M10×1.5	6.0±1.4	43.4±10.1

Item	Size	kgf · m	lbf · ft
3	M12×1.75	12.8±3.0	92.6±21.7
4	M20×2.5	57.8±6.4	418±46.3

GROUP 7 WORK EQUIPMENT



R27Z98CM11

• Tightening torque

Item	Size	kgf · m	lbf · ft
2	M10×1.5	6.0±1.4	43.4±10.1
2	M12×1.75	12.8±3.0	92.6±21.7

Item	Size	kgf · m	lbf · ft
3	M16×1.5	31.3±4.7	226±34