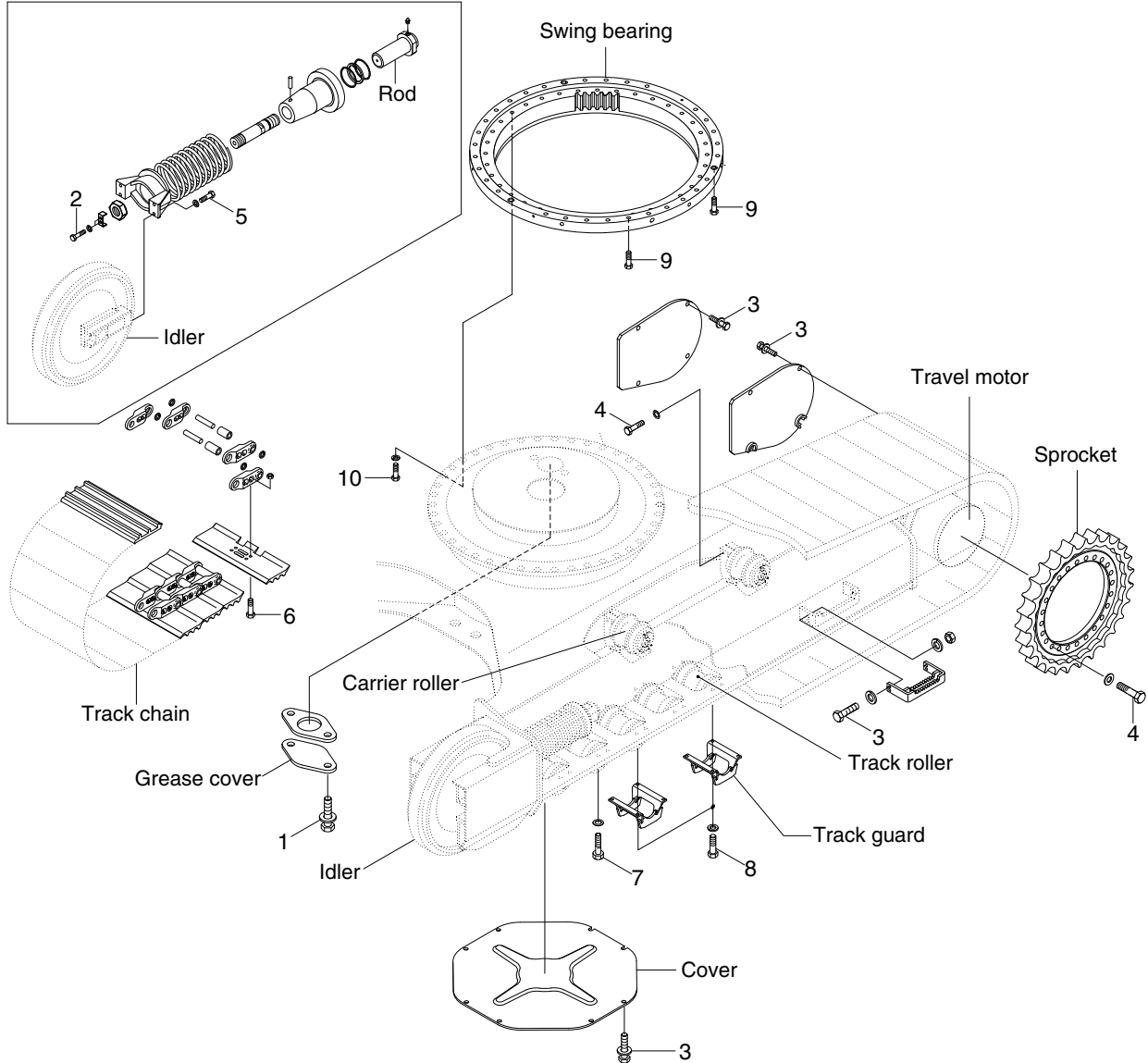


GROUP 5 UNDERCARRIAGE

UNDERCARRIAGE MOUNTING

ADJUST COMPONENT



2609SB9CM08

· Tightening torque

Item	Size	kgf · m	lbf · ft
1	M10×1.5	6.9±1.4	49.9±10.1
2	M12×1.25	13.3±2.7	96.2±19.5
3	M12×1.75	12.8±3.0	92.6±21.7
4	M16×2.0	29.7±3.0	215±21.7
5	M16×2.0	29.7±4.5	215±32.5

Item	Size	kgf · m	lbf · ft
6	M20×1.5	78±8.0	564±57.9
7	M20×2.5	57.9±6.0	419±43.4
8	M20×2.5	57.9±8.7	419±62.9
9	M22×2.5	77.4±8.0	560±57.9
10	M24×3.0	100±10	723±72.3