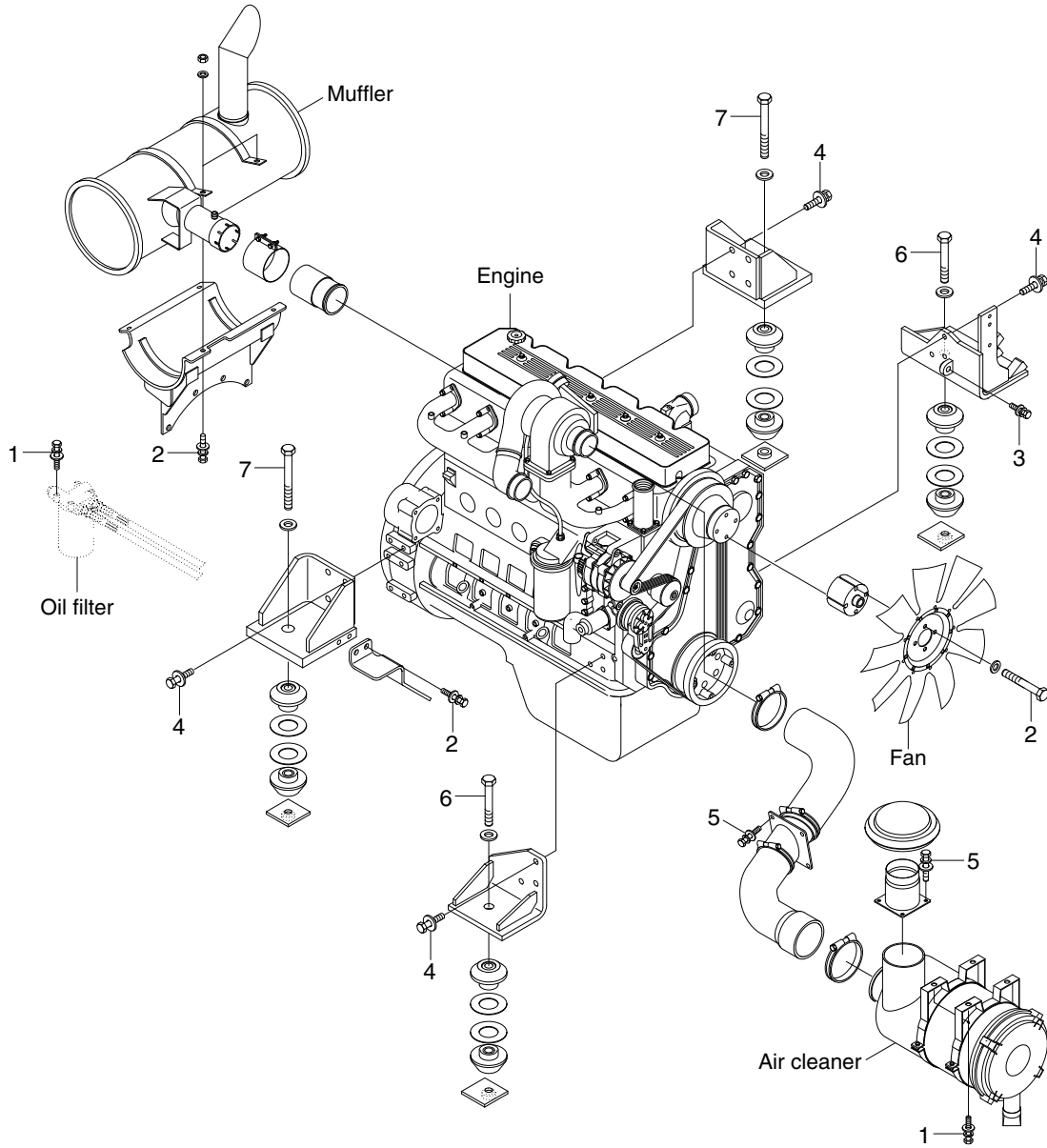


GROUP 2 ENGINE SYSTEM

ENGINE AND ACCESSORIES MOUNTING



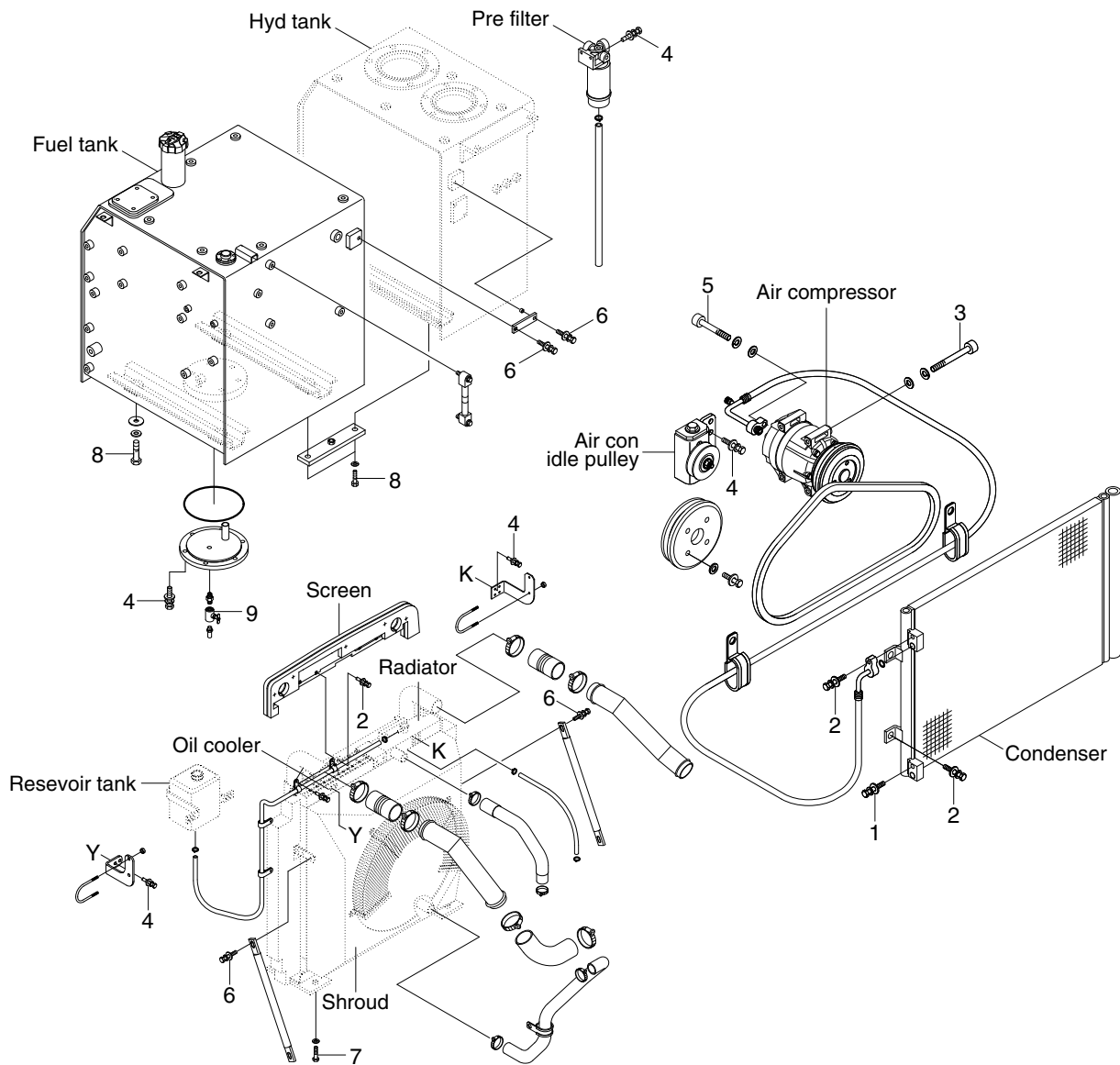
2609SB9CM01

· Tightening torque

| Item | Size | kgf · m | lbf · ft |
|------|----------|----------|-----------|
| 1 | M 8×1.25 | 2.5±0.5 | 18.1±3.6 |
| 2 | M10×1.5 | 6.9±1.4 | 49.9±10.1 |
| 3 | M12×1.75 | 9.3±1.9 | 67.3±13.7 |
| 4 | M12×1.75 | 11.5±1.0 | 83.2±7.2 |

| Item | Size | kgf · m | lbf · ft |
|------|----------|----------|-----------|
| 5 | M12×1.75 | 12.8±3.0 | 92.6±21.7 |
| 6 | M20×2.5 | 52.1±5.0 | 377±36.2 |
| 7 | M24×3.0 | 90±9.0 | 651±65.1 |
| - | - | - | - |

COOLING SYSTEM AND FUEL TANK MOUNTING



2609SB9CM02

· Tightening torque

| Item | Size | kgf · m | lbf · ft |
|------|----------|----------|-----------|
| 1 | M6×1.0 | 1.05±0.2 | 7.6±1.45 |
| 2 | M8×1.25 | 2.5±0.5 | 18.1±3.6 |
| 3 | M8×1.25 | 4.05±0.8 | 29.3±5.8 |
| 4 | M10×1.5 | 6.9±1.4 | 49.9±10.1 |
| 5 | M12×1.25 | 13.3±2.7 | 96.2±19.5 |

| Item | Size | kgf · m | lbf · ft |
|------|----------|----------|-----------|
| 6 | M12×1.75 | 12.8±3.0 | 92.6±21.7 |
| 7 | M16×2.0 | 29.7±4.5 | 215±32.5 |
| 8 | M20×2.5 | 57.9±8.7 | 419±62.9 |
| 9 | - | 1.8±0.1 | 13.0±0.7 |
| - | - | - | - |