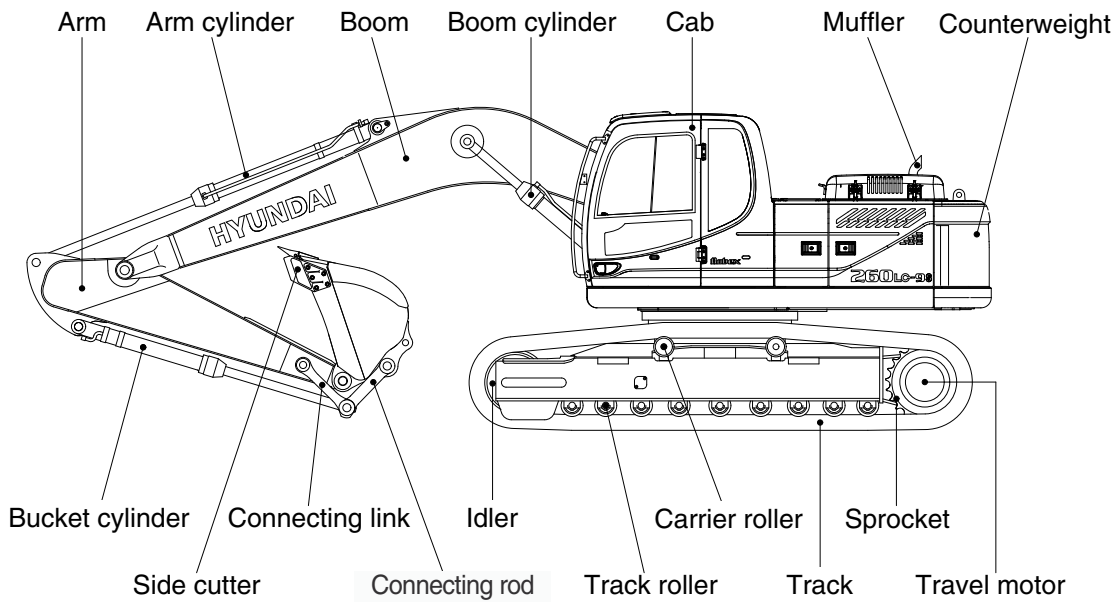
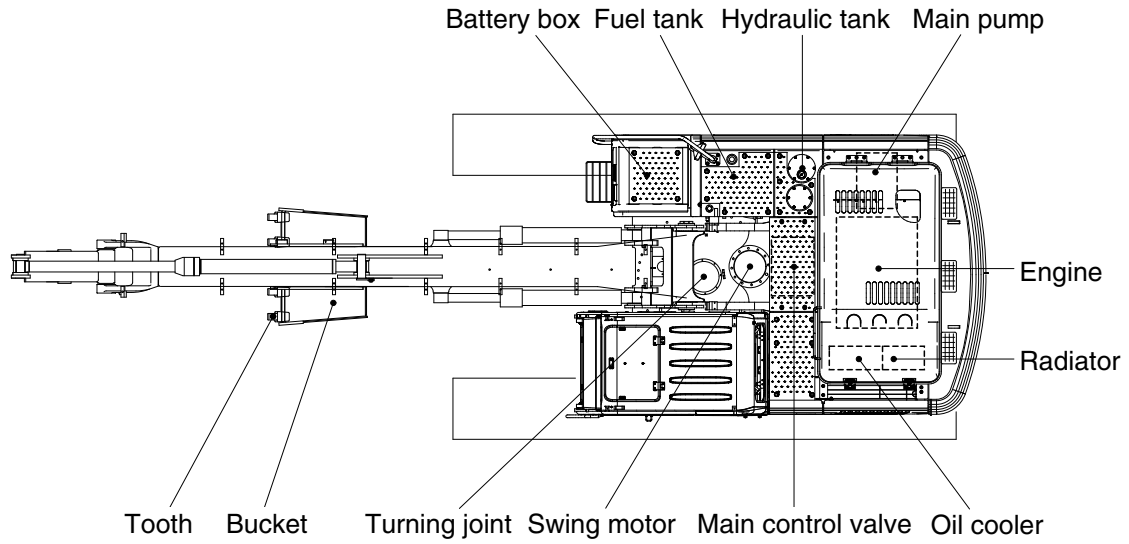


GROUP 2 SPECIFICATIONS

1. MAJOR COMPONENT

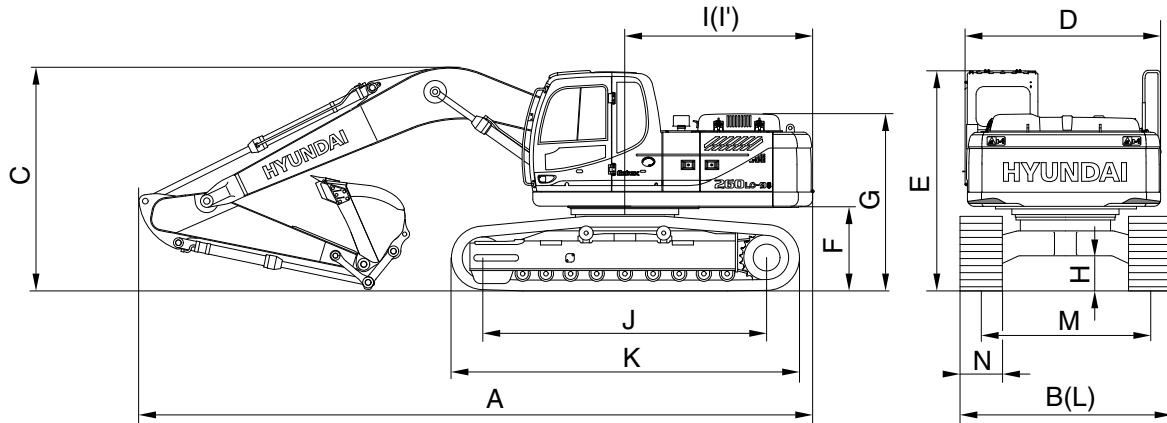


2609S2SP01

2. SPECIFICATIONS

1) R260LC-9S

· 5.85 m (19' 2") BOOM and 3.05 m (10' 0") ARM

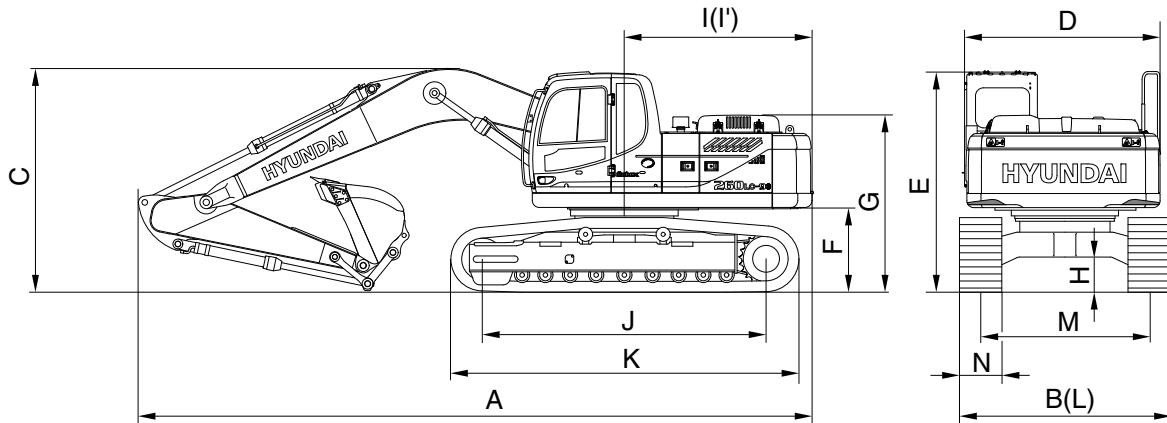


2609S2SP02

Description		Unit	Specification	
Operating weight		kg (lb)	25200 (55560)	
Bucket capacity (SAE heaped), standard		m ³ (yd ³)	1.08 (1.41)	
Overall length	A	mm (ft-in)	9920 (32' 7")	
Overall width, with 600mm shoe	B		3180 (10' 5")	
Overall height	C		3220 (10' 7")	
Superstructure width	D		2840 (9' 4")	
Overall height of cab	E		2990 (9' 10")	
Ground clearance of counterweight	F		1115 (3' 8")	
Engine cover height	G		2427 (8' 0")	
Minimum ground clearance	H		480 (1' 7")	
Rear-end distance	I		2870 (9' 5")	
Rear-end swing radius	I'		2975 (9' 9")	
Distance between tumblers	J		3830 (12' 7")	
Undercarriage length	K		4640 (15' 3")	
Undercarriage width	L		3180 (10' 5")	
Track gauge	M		2580 (8' 6")	
Track shoe width, standard	N		600 (24")	
Travel speed (low/high)			km/hr (mph)	3.4/5.5 (2.1/3.4)
Swing speed			rpm	12.5
Gradeability		Degree (%)	35 (70)	
Ground pressure (600 mm shoe)		kgf/cm ² (psi)	0.51 (7.25)	
Max traction force		kg (lb)	21600 (47600)	

2) R260NLC-9S

· 5.85 m (19' 2") BOOM and 3.05 m (10' 0") ARM

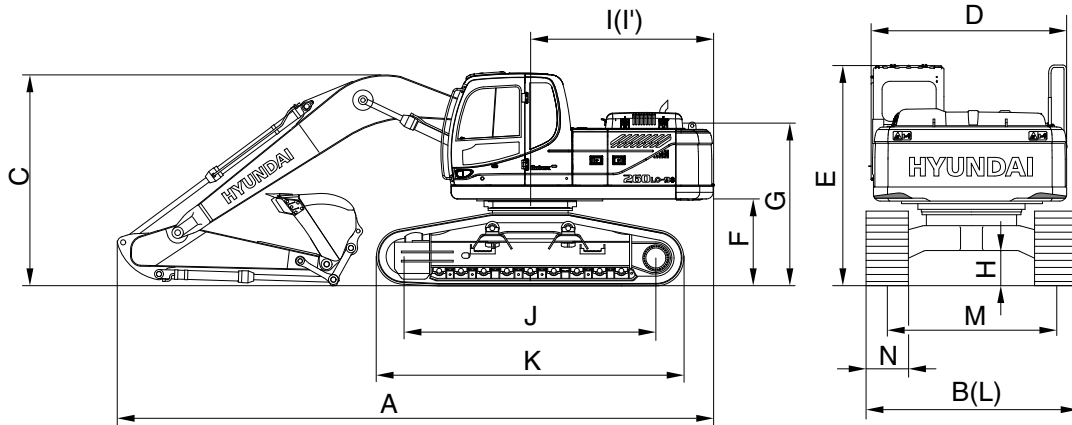


2609S2SP04

Description		Unit	Specification
Operating weight		kg (lb)	25100 (55300)
Bucket capacity (SAE heaped), standard		m ³ (yd ³)	1.08 (1.41)
Overall length	A	mm (ft-in)	9920 (32' 7")
Overall width, with 600 mm shoe	B		2980 (9' 9")
Overall height	C		3220 (10' 7")
Superstructure width	D		2840 (9' 4")
Overall height of cab	E		2990 (9' 10")
Ground clearance of counterweight	F		1115 (3' 8")
Engine cover height	G		2427 (8' 0")
Minimum ground clearance	H		480 (1' 7")
Rear-end distance	I		2870 (9' 5")
Rear-end swing radius	I'		2975 (9' 9")
Distance between tumblers	J		3830 (12' 7")
Undercarriage length	K		4640 (15' 3")
Undercarriage width	L		2980 (9' 9")
Track gauge	M		2380 (7' 10")
Track shoe width, standard	N		600 (24")
Travel speed (low/high)			km/hr (mph)
Swing speed		rpm	12.5
Gradeability		Degree (%)	35 (70)
Ground pressure (600 mm shoe)		kgf/cm ² (psi)	0.51 (7.25)
Max traction force		kg (lb)	21600 (47600)

3) R260LC-9S HIGH WALKER

· 5.85 m (19' 2") BOOM and 3.05 m (10' 0") ARM

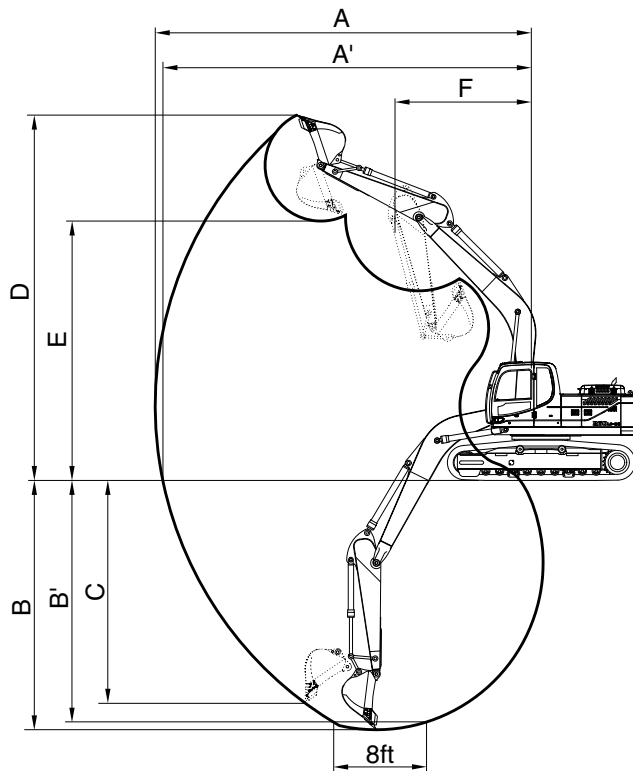


2609S2SP05

Description		Unit	Specification	
Operating weight		kg (lb)	27450 (60520)	
Bucket capacity (SAE heaped), standard		m ³ (yd ³)	1.08 (1.41)	
Overall length	A	mm (ft-in)	9760 (32' 0")	
Overall width, with 600 mm shoe	B		3390 (11' 1")	
Overall height	C		3240 (10' 8")	
Superstructure width	D		2840 (9' 4")	
Overall height of cab	E		3345 (11' 0")	
Ground clearance of counterweight	F		1470 (4' 10")	
Engine cover height	G		2782 (9' 2")	
Minimum ground clearance	H		765 (2' 6")	
Rear-end distance	I		2975 (9' 9")	
Rear-end swing radius	I'		2870 (9' 5")	
Distance between tumbler	J		4030 (13' 3")	
Undercarriage length	K		4940 (16' 2")	
Undercarriage width	L		3390 (11' 1")	
Track gauge	M		2790 (9' 2")	
Track shoe width, standard	N		600 (24")	
Travel speed (low/high)			km/hr (mph)	3.4/5.5 (2.1/3.4)
Swing speed			rpm	12.5
Gradeability		Degree (%)	35 (70)	
Ground pressure (600 mm shoe)		kgf/cm ² (psi)	0.53 (7.54)	
Max traction force		kg (lb)	21600 (47600)	

3. WORKING RANGE

1) R260LC-9S, R260NLC-9S [5.85 m (19' 2") BOOM]

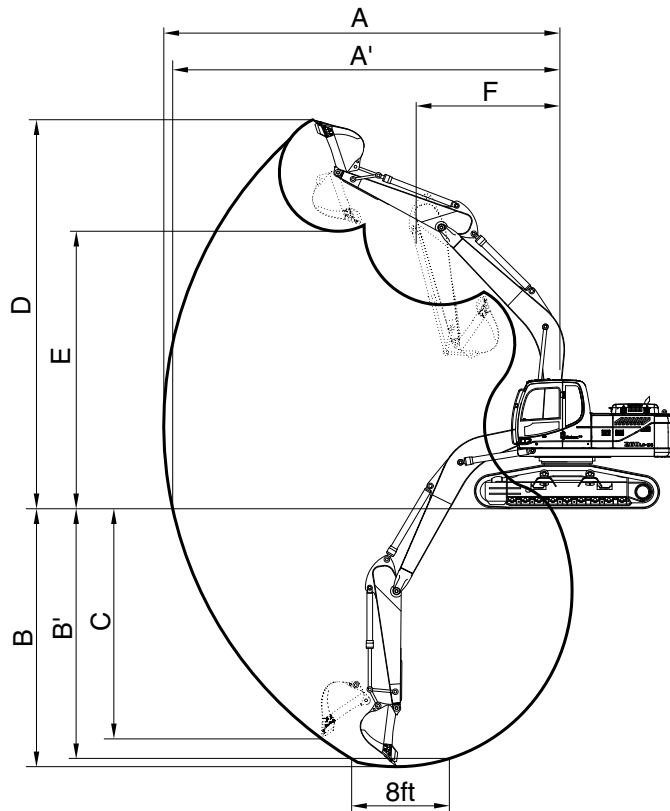


2609S2SP03

Description		2.10m (6' 11") Arm	2.50m (8' 2") Arm	3.05m (10' 0") Arm	3.60m (11' 10") Arm
Max digging reach	A	9550 mm (31' 4")	9870 mm (32' 5")	10360 mm (34' 0")	10870 mm (35' 8")
Max digging reach on ground	A'	9360 mm (30' 9")	9680 mm (31' 9")	10190 mm (33' 5")	10700 mm (35' 1")
Max digging depth	B	6050 mm (19'10")	6450 mm (21' 2")	7000 mm (23' 0")	7550 mm (24' 9")
Max digging depth (8 ft level)	B'	5840 mm (19' 2")	6260 mm (20' 6")	6830 mm (22' 5")	7400 mm (24' 3")
Max vertical wall digging depth	C	5480 mm (18' 0")	5640 mm (18' 6")	6150 mm (20' 2")	6830 mm (22' 5")
Max digging height	D	9450 mm (31' 0")	9460 mm (31' 0")	9670 mm (31' 9")	9920 mm (32' 7")
Max dumping height	E	6360 mm (20'10")	6420 mm (21' 1")	6630 mm (21' 9")	6860 mm (22' 6")
Min swing radius	F	4420 mm (14' 6")	4200 mm (13' 9")	3980 mm (13' 1")	3900 mm (12'10")
Bucket digging force	SAE	156.9 [171.2] kN	156.9 [171.2] kN	156.9 [171.2] kN	156.9 [171.2] kN
		16000 [17450] kgf	16000 [17450] kgf	16000 [17450] kgf	16000 [17450] kgf
		35270 [38480] lbf	35270 [38480] lbf	35270 [38480] lbf	35270 [38480] lbf
	ISO	178.5 [194.7] kN	178.5 [194.7] kN	178.5 [194.7] kN	178.5 [194.7] kN
		18200 [19850] kgf	18200 [19850] kgf	18200 [19850] kgf	18200 [19850] kgf
		40120 [43770] lbf	40120 [43770] lbf	40120 [43770] lbf	40120 [43770] lbf
Arm digging force	SAE	134.4 [145.9] kN	130.4 [142.3] kN	114.7 [125.2] kN	114.7 [125.1] kN
		13700 [14870] kgf	13300 [14510] kgf	11700 [12760] kgf	10600 [11560] kgf
		30200 [32790] lbf	29320 [31990] lbf	25790 [28130] lbf	23370 [25490] lbf
	ISO	139.3 [151.2] kN	134.4 [146.6] kN	118.7 [129.4] kN	107.9 [117.7] kN
		14200 [15420] kgf	13700 [14950] kgf	12100 [13200] kgf	11000 [12000] kgf
		31310 [33990] lbf	30200 [32950] lbf	26680 [29110] lbf	24250 [26450] lbf

[] : Power boost

2) R260LC-9S HIGH WALKER [5.85 m (19' 2") BOOM]



2609S2SP09

Description		2.10m (6' 11") Arm	2.50m (8' 2") Arm	3.05m (10' 0") Arm	3.60m (11' 10") Arm
Max digging reach	A	9550 mm (31' 4")	9870 mm (32' 5")	10360 mm (34' 0")	10870 mm (35' 8")
Max digging reach on ground	A'	9280 mm (30' 5")	9160 mm (31' 6")	10110 mm (33' 2")	10360 mm (34' 11")
Max digging depth	B	5680 mm (18' 8")	6080 mm (19' 11")	6630 mm (21' 9")	7180 mm (23' 7")
Max digging depth (8 ft level)	B'	5470 mm (17' 11")	5890 mm (19' 4")	6460 mm (21' 2")	7030 mm (23' 1")
Max vertical wall digging depth	C	5120 mm (16' 10")	5300 mm (17' 5")	5790 mm (19' 0")	6470 mm (21' 3")
Max digging height	D	9820 mm (32' 3")	9840 mm (32' 3")	10040 mm (32' 11")	10280 mm (33' 9")
Max dumping height	E	6730 mm (22' 1")	6790 mm (22' 3")	7000 mm (23' 0")	7220 mm (23' 8")
Min swing radius	F	4140 mm (13' 7")	4030 mm (13' 3")	3940 mm (12' 11")	3900 mm (12' 10")
Bucket digging force	SAE	156.9 [171.2] kN	156.9 [171.2] kN	156.9 [171.2] kN	156.9 [171.2] kN
		16000 [17450] kgf	16000 [17450] kgf	16000 [17450] kgf	16000 [17450] kgf
		35270 [38480] lbf	35270 [38480] lbf	35270 [38480] lbf	35270 [38480] lbf
	ISO	178.5 [194.7] kN	178.5 [194.7] kN	178.5 [194.7] kN	178.5 [194.7] kN
		18200 [19850] kgf	18200 [19850] kgf	18200 [19850] kgf	18200 [19850] kgf
		40120 [43770] lbf	40120 [43770] lbf	40120 [43770] lbf	40120 [43770] lbf
Arm crowd force	SAE	134.4 [145.9] kN	130.4 [142.3] kN	114.7 [125.2] kN	114.7 [125.1] kN
		13700 [14870] kgf	13300 [14510] kgf	11700 [12760] kgf	10600 [11560] kgf
		30200 [32790] lbf	29320 [31990] lbf	25790 [28130] lbf	23370 [25490] lbf
	ISO	139.3 [151.2] kN	134.4 [146.6] kN	118.7 [129.4] kN	107.9 [117.7] kN
		14200 [15420] kgf	13700 [14950] kgf	12100 [13200] kgf	11000 [12000] kgf
		31310 [33990] lbf	30200 [32950] lbf	26680 [29110] lbf	24250 [26450] lbf

[] : Power boost

4. WEIGHT

1) R260LC-9S, R260NLC-9S,

Item	R260LC-9S		R260NLC-9S	
	kg	lb	kg	lb
Upperstructure assembly	10500	23150	←	←
Main frame weld assembly	2360	5200	←	←
Engine assembly	530	1170	←	←
Main pump assembly	136	300	←	←
Main control valve assembly	220	485	←	←
Swing motor assembly	345	760	←	←
Hydraulic oil tank assembly	220	485	←	←
Fuel tank assembly	200	440	←	←
Counterweight	4600	10140	←	←
Cab assembly	440	970	←	←
Lower chassis assembly	9750	21500	9810	21630
Track frame weld assembly	3070	6770	2980	6570
Swing bearing	280	800	←	←
Travel motor assembly	276	608	←	←
Turning joint	53	117	←	←
Track recoil spring	140	309	←	←
Idler	160	353	←	←
Carrier roller	20	45	←	←
Track roller	40	88	←	←
Track-chain assembly (600 mm standard triple grouser shoe)	1500	3310	←	←
Front attachment assembly (5.85 m boom, 3.05 m arm, 1.08 m ³ SAE heaped bucket)	4950	10910	←	←
5.85 m boom assembly	1940	4280	←	←
3.05 m arm assembly	1020	2250	←	←
1.08 m ³ SAE heaped bucket	910	2010	←	←
Boom cylinder assembly	240	530	←	←
Arm cylinder assembly	340	750	←	←
Bucket cylinder assembly	220	490	←	←
Bucket control rod assembly	110	240	←	←


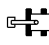

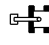

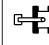

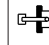

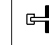

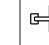
2) R260LC-9S HIGH WALKER

Item	R260LC-9S HIGH WALKER	
	kg	lb
Upperstructure assembly	10500	23150
Main frame weld assembly	2360	5200
Engine assembly	530	1170
Main pump assembly	136	300
Main control valve assembly	220	485
Swing motor assembly	345	760
Hydraulic oil tank assembly	220	485
Fuel tank assembly	200	440
Counterweight	4600	10140
Cab assembly	440	970
Lower chassis assembly	12000	26460
Track frame weld assembly	5280	11640
Swing bearing	360	800
Travel motor assembly	276	608
Turning joint	53	117
Track recoil spring	200	440
Idler	250	550
Carrier roller	55	120
Track roller	55	120
Track-chain assembly (600 mm standard triple grouser shoe)	1860	4100
Front attachment assembly (5.85 m boom, 3.05 m arm, 1.08 m ³ SAE heaped bucket)	4950	10910
5.85 m boom assembly	1940	4280
3.05 m arm assembly	1020	2250
1.08 m ³ SAE heaped bucket	910	2010
Boom cylinder assembly	240	530
Arm cylinder assembly	340	750
Bucket cylinder assembly	220	490
Bucket control rod assembly	110	240

5. LIFTING CAPACITIES

1) R260LC-9S


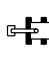

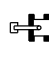

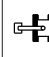

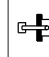

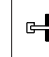

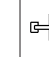
(1) 5.85 m (19' 2") boom, 3.05 m (10' 0") arm equipped with 1.08 m³ (SAE heaped) bucket and 600 mm (24") triple grouser shoe.

Load point height		Load radius										At max. reach		
		1.5 m (5 ft)		3.0 m (10 ft)		4.5 m (15 ft)		6.0 m (20ft)		7.5 m (25ft)		Capacity		Reach
														m (ft)
6.0 m (20 ft)	kg lb									*3700 *8160	*3700 *8160	4400 9700	2660 5860	9.22 (30.2)
4.5 m (15 ft)	kg lb							*5350 *11790	*5350 *11790	*5060 *11160	3830 8440	3880 8550	2280 5030	9.74 (32.0)
3.0 m (10 ft)	kg lb			*13640 *30070	*13640 *30070	*8400 *18520	*8400 *18520	*6540 *14420	5360 11820	*5660 *12480	3620 7980	3630 8000	2090 4610	9.98 (32.7)
1.5 m (5 ft)	kg lb			*9450 *20830	*9450 *20830	*10870 *23960	7800 17200	*7820 *17240	4950 10910	5750 12680	3400 7500	3580 7890	2040 4500	9.95 (32.6)
Ground Line	kg lb			*10570 *23300	*10570 *23300	*12490 *27540	7280 16050	8010 17660	4640 10230	5560 12260	3230 7120	3730 8220	2130 4700	9.65 (31.7)
-1.5 m (-5 ft)	kg lb	*9940 *21910	*9940 *21910	*13870 *30580	*13870 *30580	12930 28510	7090 15630	7830 17260	4480 9880	5460 12040	3140 6920	4150 9150	2390 5270	9.05 (29.7)
-3.0 m (-10 ft)	kg lb	*13540 *29850	*13540 *29850	*18430 *40630	14860 32760	*12780 *28180	7110 15670	7820 17240	4470 9850			5080 11200	2980 6570	8.06 (26.4)
-4.5 m (-15 ft)	kg lb	*17830 *39310	*17830 *39310	*16580 *36550	15340 33820	*11360 *25040	7340 16180	8020 17680	4640 10230			*5940 *13100	4480 9880	6.48 (21.3)

- Note
1. Lifting capacity are based on SAE J1097 and ISO 10567.
 2. Lifting capacity of the ROBEX series does not exceed 75% of tipping load with the machine on firm, level ground or 87% of full hydraulic capacity.
 3. The load point is a hook (standard equipment) located on the back of the bucket.
 4. *indicates load limited by hydraulic capacity.

2) R260NLC-9S


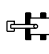

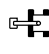

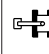

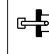

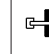

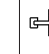
(1) 5.85 m (19' 2") boom, 3.05 m (10' 0") arm equipped with 1.08 m³ (SAE heaped) bucket and 600 mm (24") triple grouser shoe.

Load point height		Load radius										At max. reach		
		1.5 m (5 ft)		3.0 m (10 ft)		4.5 m (15 ft)		6.0 m (20ft)		7.5 m (25ft)		Capacity		Reach m (ft)
														
6.0 m (20 ft)	kg lb									*3700 *8160	3570 7870	4380 9660	2370 5220	9.22 (30.2)
4.5 m (15 ft)	kg lb							*5350 *11790	5230 11530	*5060 *11160	3440 7580	3860 8510	2020 4450	9.74 (32.0)
3.0 m (10 ft)	kg lb			*13640 *30070	*13640 *30070	*8400 *18520	7780 17150	*6540 *14420	4830 10650	*5660 *12480	3240 7140	3610 7960	1840 4060	9.98 (32.7)
1.5 m (5 ft)	kg lb			*9450 *20830	*9450 *20830	*10870 *23960	6940 15300	*7820 *17240	4420 9740	5720 12610	3030 6680	3560 7850	1790 3950	9.95 (32.6)
Ground Line	kg lb			*10570 *23300	*10570 *23300	*12490 *27540	6430 14180	7980 17590	4120 9080	5530 12190	2850 6280	3710 8180	1860 4100	9.65 (31.7)
-1.5 m (-5 ft)	kg lb	*9940 *21910	*9940 *21910	*13870 *30580	12620 27820	12870 28370	6250 13780	7790 17170	3960 8730	5430 11970	2760 6080	4130 9110	2100 4630	9.05 (29.7)
-3.0 m (-10 ft)	kg lb	*13540 *29850	*13540 *29850	*18430 *40630	12840 28310	*12780 *28180	6270 13820	7780 17150	3950 8710			5060 11160	2640 5820	8.06 (26.4)
-4.5 m (-15 ft)	kg lb	*17830 *39310	*17830 *39310	*16580 *36550	13290 29300	*11360 *25040	6490 14310	7980 17590	4120 9080			*5940 *13100	4010 8840	6.48 (21.3)

- Note
1. Lifting capacity are based on SAE J1097 and ISO 10567.
 2. Lifting capacity of the ROBEX series does not exceed 75% of tipping load with the machine on firm, level ground or 87% of full hydraulic capacity.
 3. The load point is a hook located on the back of the bucket.
 4. * indicates load limited by hydraulic capacity.

3) R260LC-9S HIGH WALKER

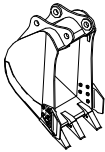
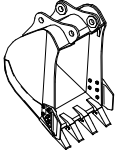
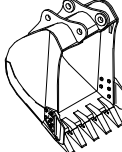
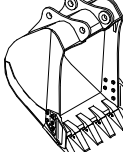
(1) 5.85 m (19' 2") boom, 3.05 m (10' 0") arm equipped with 1.08 m³ (SAE heaped) bucket and 600 mm (24") triple grouser shoe.

Load point height		Load radius										At max. reach				
		1.5 m (5 ft)		3.0 m (10 ft)		4.5 m (15 ft)		6.0 m (20ft)		7.5 m (25ft)		Capacity		Reach		
														kg	lb	m (ft)
6.0 m (20 ft)	kg lb											*4140 *9130	*4140 *9130	*4510 *9940	3190 7030	9.37 (30.7)
4.5 m (15 ft)	kg lb							*5610 *12370	*5610 *12370	*5180 *11420	4650 10250	4590 10120	2830 6240	9.82 (32.2)		
3.0 m (10 ft)	kg lb			*15320 *33770	*15320 *33770	*9030 *19910	*9030 *19910	*6850 *15100	6450 14220	*5830 *12850	4430 9770	4370 9630	2660 5860	9.99 (32.8)		
1.5 m (5 ft)	kg lb			*9310 *20530	*9310 *20530	*11350 *25020	9510 20970	*8090 *17840	6050 13340	*6510 *14350	4220 9300	4380 9660	2650 5840	9.90 (32.5)		
Ground Line	kg lb	*7350 *16200	*7350 *16200	*11240 *24780	*11240 *24780	*12710 *28020	9060 19970	*9010 *19860	5760 12700	6680 14730	4060 8950	4620 10190	2800 6170	9.53 (31.3)		
-1.5 m (-5 ft)	kg lb	*10760 *23720	*10760 *23720	*14820 *32670	*14820 *32670	*13100 *28880	8920 19670	*9410 *20750	5640 12430	6610 14570	3990 8800	5220 11510	3180 7010	8.85 (29.0)		
-3.0 m (-10 ft)	kg lb	*14470 *31900	*14470 *31900	*18710 *41250	*18710 *41250	*12560 *27690	9000 19840	*9310 *20130	5660 12480			*6000 *13230	4040 8910	7.76 (25.5)		
-4.5 m (-15 ft)	kg lb			*15670 *34550	*15670 *34550	*10780 *23770	9290 20480									

- Note
1. Lifting capacity are based on SAE J1097 and ISO 10567.
 2. Lifting capacity of the ROBEX series does not exceed 75% of tipping load with the machine on firm, level ground or 87% of full hydraulic capacity.
 3. The load point is a hook located on the back of the bucket.
 4. *indicates load limited by hydraulic capacity.

6. BUCKET SELECTION GUIDE

1) GENERAL BUCKET

			
0.60 m ³ SAE 0.79 m ³ SAE heaped bucket	1.03 m ³ SAE heaped bucket	1.08 m ³ SAE heaped bucket	1.27 m ³ SAE 1.50 m ³ SAE heaped bucket

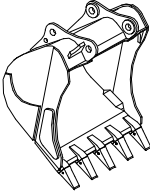
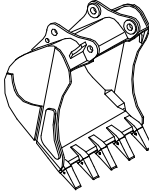
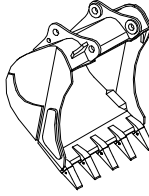
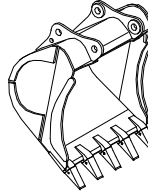
Capacity		Width		Weight	Recommendation			
					5.85m (19' 2") boom			
SAE heaped	CECE heaped	Without side cutter	With side cutter		2.1m arm (6' 11")	2.5m arm (8' 2")	3.05m arm (10' 0")	3.6m arm (11' 10")
0.60 m ³ (0.78 yd ³)	0.55 m ³ (0.72 yd ³)	760 mm (29.9")	880 mm (34.6")	720 kg (1590 lb)				
0.79 m ³ (1.03 yd ³)	0.70 m ³ (0.92 yd ³)	890 mm (35.0")	1010 mm (39.8")	790 kg (1740 lb)				
1.03 m ³ (1.35 yd ³)	0.90 m ³ (1.18 yd ³)	1090 mm (42.9")	1210 mm (47.6")	890 kg (1960 lb)				
1.08 m ³ (1.41 yd ³)	0.95 m ³ (1.24 yd ³)	1130 mm (44.5")	1250 mm (49.2")	910 kg (2010 lb)				
1.27 m ³ (1.66 yd ³)	1.10 m ³ (1.44 yd ³)	1290 mm (50.8")	1410 mm (55.5")	1010 kg (2230 lb)				
1.50 m ³ (1.96 yd ³)	1.30 m ³ (1.70 yd ³)	1490 mm (58.7")	1610 mm (63.4")	1080 kg (2380 lb)				

 Applicable for materials with density of 2000 kgf/m³ (3370 lbf/yd³) or less

 Applicable for materials with density of 1600 kgf/m³ (2700 lbf/yd³) or less

 Applicable for materials with density of 1100 kgf/m³ (1850 lbf/yd³) or less

2) ROCK AND HEAVY DUTY BUCKET

			
<p>◆ 1.07m³ SAE ◆ 1.15m³ SAE heaped bucket</p>	<p>◆ 1.27m³ SAE heaped bucket</p>	<p>◆ 1.46m³ SAE heaped bucket</p>	<p>◎ 1.16m³ SAE heaped bucket</p>

Capacity		Width		Weight	Recommendation			
SAE heaped	CECE heaped	Without side cutter	With side cutter		5.85 m (19' 2") boom			
					2.1 m arm (6' 11")	2.5 m arm (8' 2")	3.05 m arm (10' 0")	3.6 m arm (11' 10")
◆ 1.07 m ³ (1.40 yd ³)	0.95 m ³ (1.24 yd ³)	1150 mm (45.3")	-	1120 kg (2470 lb)				
◆ 1.15 m ³ (1.50 yd ³)	1.00 m ³ (1.31 yd ³)	1210 mm (47.6")	-	1160 kg (2560 lb)				
◆ 1.27 m ³ (1.66 yd ³)	1.10 m ³ (1.44 yd ³)	1310 mm (51.6")	-	1240 kg (2730 lb)				
◆ 1.46 m ³ (1.91 yd ³)	1.28 m ³ (1.67 yd ³)	1460 mm (57.5")	-	1320 kg (2910 lb)				
◎ 1.16 m ³ (1.52 yd ³)	1.00 m ³ (1.31 yd ³)	1340 mm (52.8")	-	1280 kg (2820 lb)				

◆ : Heavy duty bucket ◎ : Rock-Heavy duty bucket

Applicable for materials with density of 2000 kgf/m³ (3370 lbf/yd³) or less

Applicable for materials with density of 1600 kgf/m³ (2700 lbf/yd³) or less

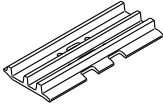
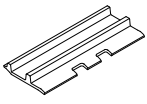
Applicable for materials with density of 1100 kgf/m³ (1850 lbf/yd³) or less

7. UNDERCARRIAGE

1) TRACKS

X-leg type center frame is integrally welded with reinforced box-section track frames. The design includes dry tracks, lubricated rollers, idlers, sprockets, hydraulic track adjusters with shock absorbing springs and assembled track-type tractor shoes with triple grousers.

2) TYPES OF SHOES

Model	Shapes		Triple grouser				Double grouser
							
R260LC-9S	Shoe width	mm (in)	600 (24)	700 (28)	800 (32)	900 (36)	-
	Operating weight	kg (lb)	25200 (55600)	25500 (26200)	25800 (56900)	26100 (57500)	-
	Ground pressure	kgf/cm ² (psi)	0.51 (7.25)	0.44 (6.26)	0.39 (5.55)	0.35 (4.98)	-
	Overall width	mm (ft-in)	3180 (10' 5")	3280 (10' 9")	3380 (11' 1")	3480 (11' 5")	-
R260NLC-9S	Shoe width	mm (in)	600 (24)	-	-	-	-
	Operating weight	kg (lb)	25100 (55300)	-	-	-	-
	Ground pressure	kgf/cm ² (psi)	0.51 (7.25)	-	-	-	-
	Overall width	mm (ft-in)	2980 (9' 9")	-	-	-	-
R260LC-9S HIGH WALKER	Shoe width	mm (in)	600 (24)	700 (28)	800 (32)	-	700 (28)
	Operating weight	kg (lb)	27450 (60520)	28020 (61770)	28400 (62610)	-	28620 (63100)
	Ground pressure	kgf/cm ² (psi)	0.53 (7.54)	0.46 (6.54)	0.41 (5.83)	-	0.47 (6.68)
	Overall width	mm (ft-in)	3180 (10' 5")	3280 (10' 9")	3380 (11' 1")	-	3280 (10' 9")

3) NUMBER OF ROLLERS AND SHOES ON EACH SIDE

Item	Quantity	
	R260LC-9S, R260NLC-9S	R260LC-9S HIGH WALKER
Carrier rollers	2 EA	2 EA
Track rollers	9 EA	9 EA
Track shoes	51 EA	48 EA

4) SELECTION OF TRACK SHOE

Suitable track shoes should be selected according to operating conditions.

Method of selecting shoes

Confirm the category from the list of applications in table 2, then use table 1 to select the shoe. Wide shoes (Categories B and C) have limitations on applications. Before using wide shoes, check the precautions, then investigate and study the operating conditions to confirm if these shoes are suitable.

Select the narrowest shoe possible to meet the required flotation and ground pressure. Application of wider shoes than recommendations will cause unexpected problem such as bending of shoes, crack of link, breakage of pin, loosening of shoe bolts and the other various problems.

※ **Table 1**

Track shoe	Specification	Category
600mm triple grouser	Standard	A
700mm triple grouser	Option	B
700mm double grouser ★1	Option	B
800mm triple grouser	Option	C
900mm triple grouser	Option	C

★1 : R260LC-9S HIGH WALKER ONLY

※ **Table 2**

Category	Applications	Precautions
A	Rocky ground, river beds, normal soil	<ul style="list-style-type: none"> Travel at low speed on rough ground with large obstacles such as boulders or fallen trees
B	Normal soil, soft ground	<ul style="list-style-type: none"> These shoes cannot be used on rough ground with large obstacles such as boulders or fallen trees Travel at high speed only on flat ground Travel slowly at low speed if it is impossible to avoid going over obstacles
C	Extremely, soft ground (Swampy ground)	<ul style="list-style-type: none"> Use the shoes only in the conditions that the machine sinks and it is impossible to use the shoes of category A or B These shoes cannot be used on rough ground with large obstacles such as boulders or fallen trees Travel at high speed only on flat ground Travel slowly at low speed if it is impossible to avoid going over obstacles

8. SPECIFICATIONS FOR MAJOR COMPONENTS

1) ENGINE

Item	Specification
Model	Cummins B5.9 / HYUNDAI HM 5.9
Type	4-cycle turbocharged, charger air cooled diesel engine
Cooling method	Water cooling
Number of cylinders and arrangement	6 cylinders, in-line
Firing order	1-5-3-6-2-4
Combustion chamber type	Direct injection type
Cylinder bore × stroke	102 × 120mm(4.0" × 4.7")
Piston displacement	5880cc(359cu in)
Compression ratio	17.3 : 1
Rated gross horse power (SAE J1995)	178 Hp at 2000rpm(133kW at 2000rpm)
Maximum torque	72.2kgf · m(522lbf · ft) at 1500rpm
Engine oil quantity	24 l (6.3 U.S. gal)
Dry weight	530 kg(1170 lb)
High idling speed	2250+ 50rpm
Low idling speed	1050 ± 100rpm
Rated fuel consumption	167.0g/Hp · hr at 2000rpm
Starting motor	Nippon denso (24V-4.5 kW)
Alternator	Delco Remy 24V-90A
Battery	2 × 12V × 160 Ah

2) MAIN PUMP

Item	Specification
Type	Variable displacement tandem axis piston pumps
Capacity	2 × 117 cc/rev
Maximum pressure	350 kgf/cm ² (4980 psi) [380 kgf/cm ² (5400 psi)]
Rated oil flow	2 × 228 l /min (60.2 U.S. gpm/ 50.2 U.K. gpm)
Rated speed	2000 rpm

[] : Power boost

3) GEAR PUMP

Item	Specification
Type	Fixed displacement gear pump single stage
Capacity	15 cc/rev
Maximum pressure	40 kgf/cm ² (570 psi)
Rated oil flow	28.5 l /min (7.45 U.S. gpm / 6.27 U.K. gpm)

4) MAIN CONTROL VALVE

Item	Specification
Type	10 spools
Operating method	Hydraulic pilot system
Main relief valve pressure	350 kgf/cm ² (4980 psi) [380 kgf/cm ² (5400 psi)]
Overload relief valve pressure	400 kgf/cm ² (5690 psi)

[] : Power boost

5) SWING MOTOR

Item	Specification	
	TYPE 1	TYPE 2
Type	Axial piston motor	
Capacity	148.5 cc/rev	151 cc/rev
Relief pressure	300 kgf/cm ² (4270 psi)	
Braking system	Automatic, spring applied hydraulic released	
Braking torque	70 kgf · m (506 lbf · ft)	59 kgf · m (427 lbf · ft)
Brake release pressure	26 kgf/cm ²	
Reduction gear type	2 - stage planetary	

6) TRAVEL MOTOR

Item	Specification	
	TYPE 1	TYPE 2
Type	Axial piston motor	
Relief pressure	350 kgf/cm ² (4980 psi)	
Capacity (max / min)	161.5/93.5 cc/rev	182.4/105.4 cc/rev
Reduction gear type	Planetary differential	
Braking system	Automatic, spring applied hydraulic released	
Brake release pressure	8.2 kgf/cm ² (116 psi)	18.3 kgf/cm ² (260 psi)
Braking torque	50 kgf · m (362 lbf · ft)	72 kgf · m (520 lbf · ft)

7) CYLINDER

Item		Specification
Boom cylinder	Bore dia × Stroke	∅ 135 × 1345 mm
	Cushion	Extend only
Arm cylinder	Bore dia × Stroke	∅ 145 × 1620 mm
	Cushion	Extend and retract
Bucket cylinder	Bore dia × Stroke	∅ 130 × 1185 mm
	Cushion	Extend only

※ Discoloration of cylinder rod can occur when the friction reduction additive of lubrication oil spreads on the rod surface.

※ Discoloration does not cause any harmful effect on the cylinder performance.

8) SHOE

Item		Width	Ground pressure	Link quantity	Overall width
R260LC-9S	Standard	600 mm (24")	0.51 kgf/cm ² (7.25 psi)	51	3180 mm (10' 5")
	Option	700 mm (28")	0.44 kgf/cm ² (6.26 psi)	51	3280 mm (10' 9")
		800 mm (32")	0.39 kgf/cm ² (5.55 psi)	51	3380 mm (11' 1")
		900 mm (36")	0.35 kgf/cm ² (4.98 psi)	51	3480 mm (11' 5")
R260NLC-9S	Standard	600 mm (24")	0.51 kgf/cm ² (7.25 psi)	51	2980 mm (9' 9")
R260LC-9S HIGH WALKER	Standard	600 mm (24")	0.53 kgf/cm ² (7.54 psi)	48	3180 mm (10' 5")
	Option	700 mm (28")	0.46 kgf/cm ² (6.54 psi)	48	3280 mm (10' 9")
		800 mm (32")	0.41 kgf/cm ² (5.83 psi)	48	3380 mm (11' 1")
		★700 mm (28")	0.47 kgf/cm ² (6.68 psi)	48	3280 mm (10' 9")

★: Double grouser

9) BUCKET

Item	Capacity		Tooth quantity	Width	
	SAE heaped	CECE heaped		Without side cutter	With side cutter
R260LC-9S R260NLC-9S R260LC-9S H/WALKER	0.60 m ³ (0.78 yd ³)	0.55 m ³ (0.72 yd ³)	3	760 mm (29.9")	880 mm (34.6")
	0.79 m ³ (1.03 yd ³)	0.70 m ³ (0.92 yd ³)	3	890 mm (35.0")	1010 mm (39.8")
	1.03 m ³ (1.35 yd ³)	0.90 m ³ (1.18 yd ³)	4	1090 mm (42.9")	1210 mm (47.6")
	1.08 m ³ (1.41 yd ³)	0.95 m ³ (1.24 yd ³)	5	1130 mm (44.5")	1250 mm (49.2")
	1.27 m ³ (1.66 yd ³)	1.10 m ³ (1.44 yd ³)	5	1290 mm (50.8")	1410 mm (55.5")
	1.50 m ³ (1.96 yd ³)	1.30 m ³ (1.70 yd ³)	6	1490 mm (58.7")	1610 mm (63.4")
	◆1.07 m ³ (1.40 yd ³)	0.95 m ³ (1.24 yd ³)	5	1150 mm (45.3")	-
	◆1.15 m ³ (1.50 yd ³)	1.00 m ³ (1.31 yd ³)	5	1210 mm (47.6")	-
	◆1.27 m ³ (1.66 yd ³)	1.10 m ³ (1.44 yd ³)	5	1310 mm (51.6")	-
	◆1.46 m ³ (1.91 yd ³)	1.28 m ³ (1.67 yd ³)	5	1460 mm (57.5")	-
	◎1.16 m ³ (1.52 yd ³)	1.00 m ³ (1.31 yd ³)	5	1340 mm (52.8")	-

◆ : Heavy duty bucket

◎ : Rock bucket

9. RECOMMENDED OILS

Use only oils listed below. Do not mix different brand oil.

Please use HYUNDAI genuine oil and grease.

Service point	Kind of fluid	Capacity ℓ (U.S. gal)	Ambient temperature °C (°F)						
			-50 (-58)	-30 (-22)	-20 (-4)	-10 (14)	0 (32)	10 (50)	20 (68)
Engine oil pan	Engine oil	24 (6.3)	★SAE 5W-40						
			SAE 30						
			SAE 10W						
			SAE 10W-30						
			SAE 15W-40						
Swing drive	Gear oil	6.0 (1.6)	★SAE 75W-90						
Final drive		3.3×2 (0.9×2)	SAE 80W-90						
Final drive (H/W)		8.0×2 (2.1×2)							
Hydraulic tank	Hydraulic oil	Tank; 165 (43.6) System; 285 (75.3)	★ISO VG 15						
			ISO VG 32						
			ISO VG 46						
			ISO VG 68						
Fuel tank	Diesel fuel	400 (106)	★ASTM D975 NO.1						
			ASTM D975 NO.2						
Fitting (grease nipple)	Grease	As required	★NLGI NO.1						
			NLGI NO.2						
Radiator (reservoir tank)	Mixture of antifreeze and water	35 (9.2)	Ethylene glycol base permanent type (50 : 50)						
			★Ethylene glycol base permanent type (60 : 40)						

SAE : Society of Automotive Engineers

API : American Petroleum Institute

ISO : International Organization for Standardization

NLGI : National Lubricating Grease Institute

ASTM : American Society of Testing and Material

★ : Cold region

Russia, CIS, Mongolia