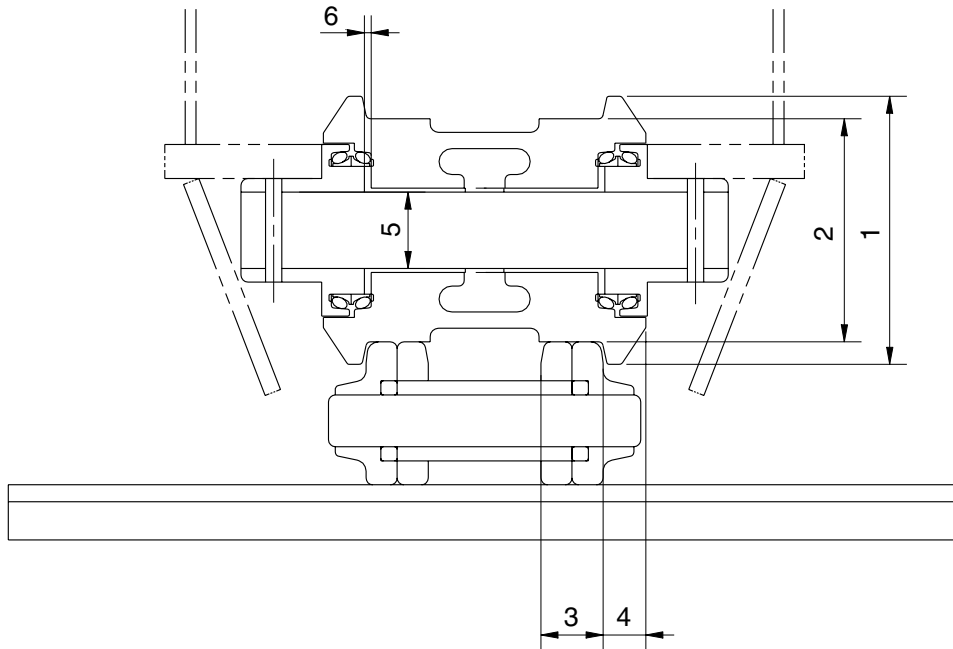


GROUP 3 TRACK AND WORK EQUIPMENT

1. TRACK

1) TRACK ROLLER

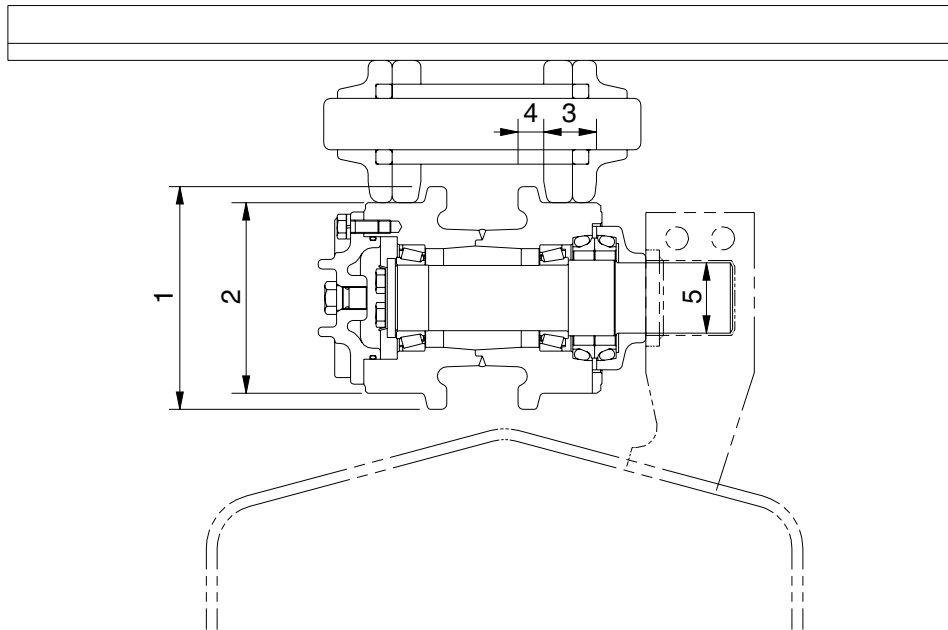


21037MS01

Unit : mm

No.	Check item	Criteria				Remedy
		Standard size		Repair limit		
1	Outside diameter of flange	ø 200		-		Rebuild or replace
2	Outside diameter of tread	ø 160		ø 148		
3	Width of tread	48		54		
4	Width of flange	21.5		15.5		
5	Clearance between shaft and bushing	Standard size & tolerance		Standard clearance 0.39 to 0.476	Clearance limit 2.0	Replace bushing
		Shaft ø 70 -0.29 -0.33	Hole ø 70.1 $+0.046$ 0			
6	Side clearance of roller (both side)	Standard clearance		Clearance limit		Replace
		0.2 to 1.2		2.0		

2) CARRIER ROLLER

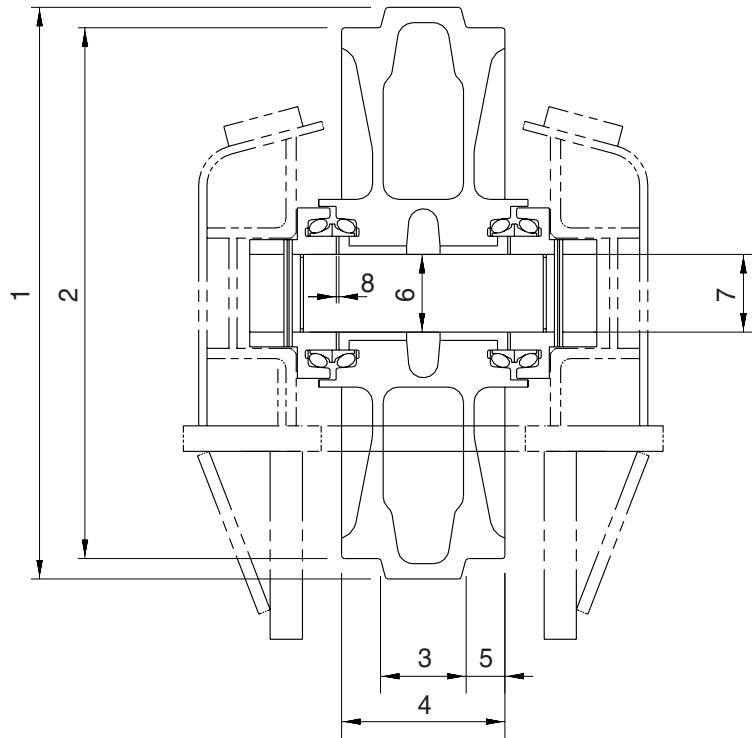


21037MS02

Unit : mm

No.	Check item	Criteria				Remedy
		Standard size		Repair limit		
1	Outside diameter of flange	ø 169		-		Rebuild or replace
2	Outside diameter of tread	ø 144		ø 134		
3	Width of tread	44		49		
4	Width of flange	17		-		
5	Clearance between shaft and bushing	Standard size	tolerance		Standard clearance 0.15 ~ 0.40	Clearance limit 2.0
		ø 55	Shaft	Hole		
			- 0.05 - 0.1	+ 0.3 + 0.1		
						Replace bushing

3) IDLER

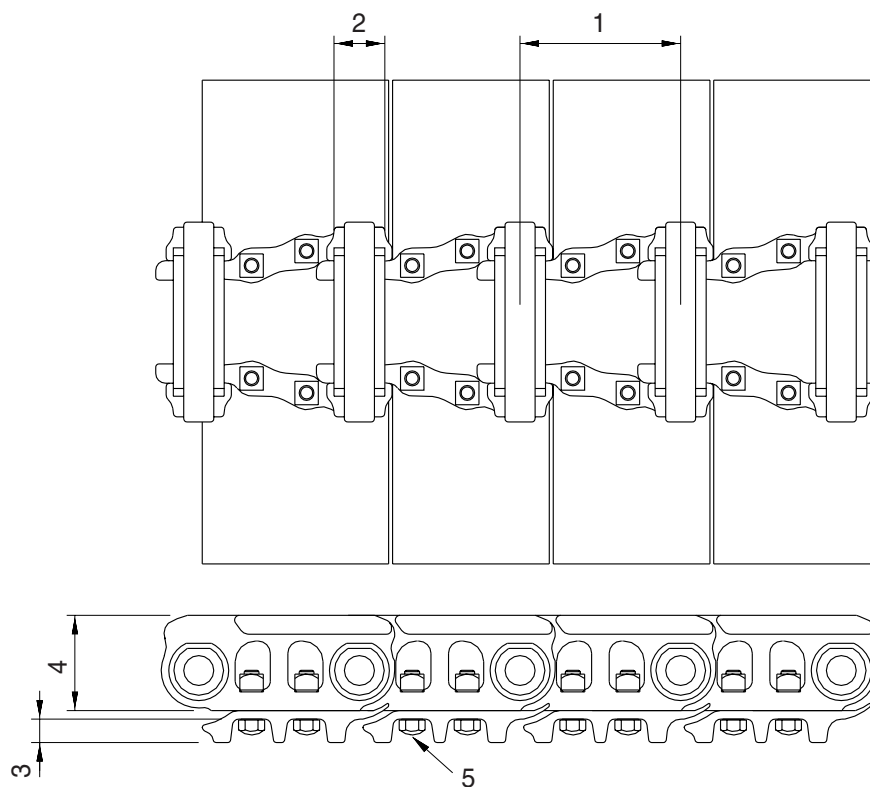


21037MS03

Unit : mm

No.	Check item	Criteria			Remedy	
		Standard size		Repair limit		
1	Outside diameter of protrusion	ø 560		-	Rebuild or replace	
2	Outside diameter of tread	ø 520		ø 510		
3	Width of protrusion	84		-		
4	Total width	160		-		
5	Width of tread	38		43		
6	Clearance between shaft and bushing	Standard size & tolerance		Standard clearance	Clearance limit	
		Shaft	Hole			
		ø 75 $\begin{matrix} 0 \\ -0.03 \end{matrix}$	ø 75.35 $\begin{matrix} +0.05 \\ 0 \end{matrix}$	0.35 to 0.43	2.0	Replace bushing
7	Clearance between shaft and support	ø 75 $\begin{matrix} 0 \\ -0.03 \end{matrix}$	ø 75 $\begin{matrix} +0.07 \\ +0.03 \end{matrix}$	0.03 to 0.1	1.2	
8	Side clearance of idler (both side)	Standard clearance		Clearance limit		
		0.25 to 1.2		2.0		Replace bushing

4) TRACK

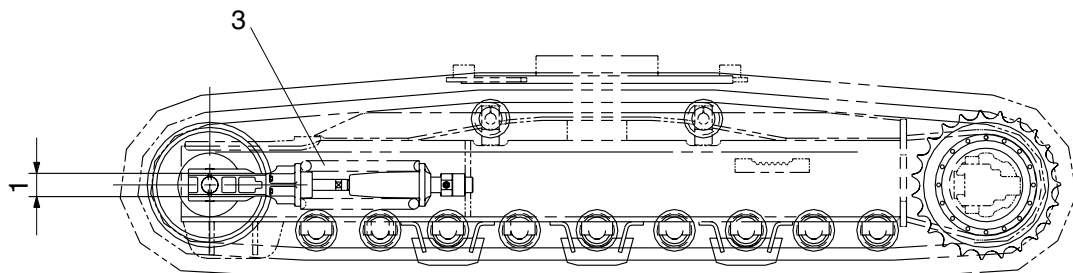
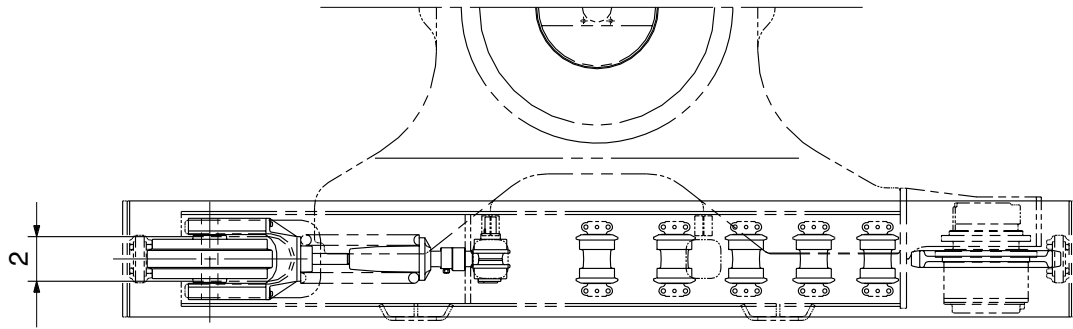


21037MS04

Unit : mm

No.	Check item	Criteria		Remedy
		Standard size	Repair limit	
1	Link pitch	190	199	Turn or replace
2	Outside diameter of bushing	∅ 59	∅ 51	Rebuild or replace
3	Height of grouser	26	16	
4	Height of link	105	97	Retighten
5	Tightening torque	Initial tightening torque : $78 \pm 8 \text{ kgf} \cdot \text{m}$		

5) TRACK FRAME AND RECOIL SPRING

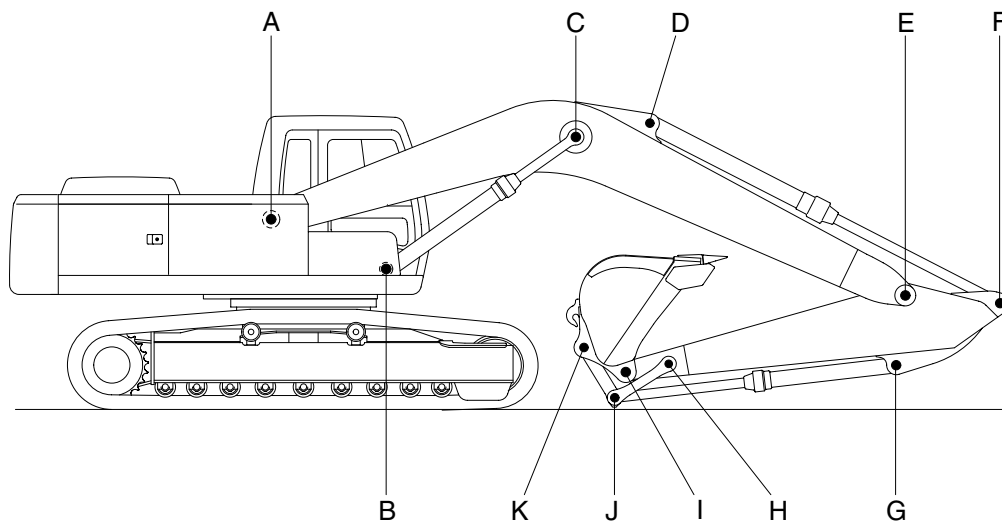


21037MS05

Unit : mm

No.	Check item	Criteria				Remedy	
			Standard size	Tolerance	Repair limit		
1	Vertical width of idler guide	Track frame	113	+2 0	117	Rebuild or replace	
		Idler support	110	0 - 1.5	106		
2	Horizontal width of idler guide	Track frame	272	+2 0	276		
		Idler support	270	-	267		
3	Recoil spring	Standard size			Repair limit		Replace
		Free length	Installation length	Installation load	Free length	Installation load	
		∅ 235 × 627	508	16315kg	-	13052kg	

2. WORK EQUIPMENT



21077MS20

Unit : mm

Mark	Measuring point (Pin and Bushing)	Normal value	Pin		Bushing		Remedy & Remark
			Recomm. service limit	Limit of use	Recomm. service limit	Limit of use	
A	Boom Rear	100	99	98.5	100.5	101	Replace
B	Boom Cylinder Head	90	89	88.5	90.5	91	"
C	Boom Cylinder Rod	100	99	98.5	100.5	101	"
D	Arm Cylinder Head	90	89	88.5	90.5	91	"
E	Boom Front	100	99	98.5	100.5	101	"
F	Arm Cylinder Rod	90	89	88.5	90.5	91	"
G	Bucket Cylinder Head	90	89	88.5	90.5	91	"
H	Arm Link	80	79	78.5	80.5	81	"
I	Bucket and Arm Link	90	89	88.5	90.5	91	"
J	Bucket Cylinder Rod	80	79	78.5	80.5	81	"
K	Bucket Link	90	89	88.5	90.5	91	"