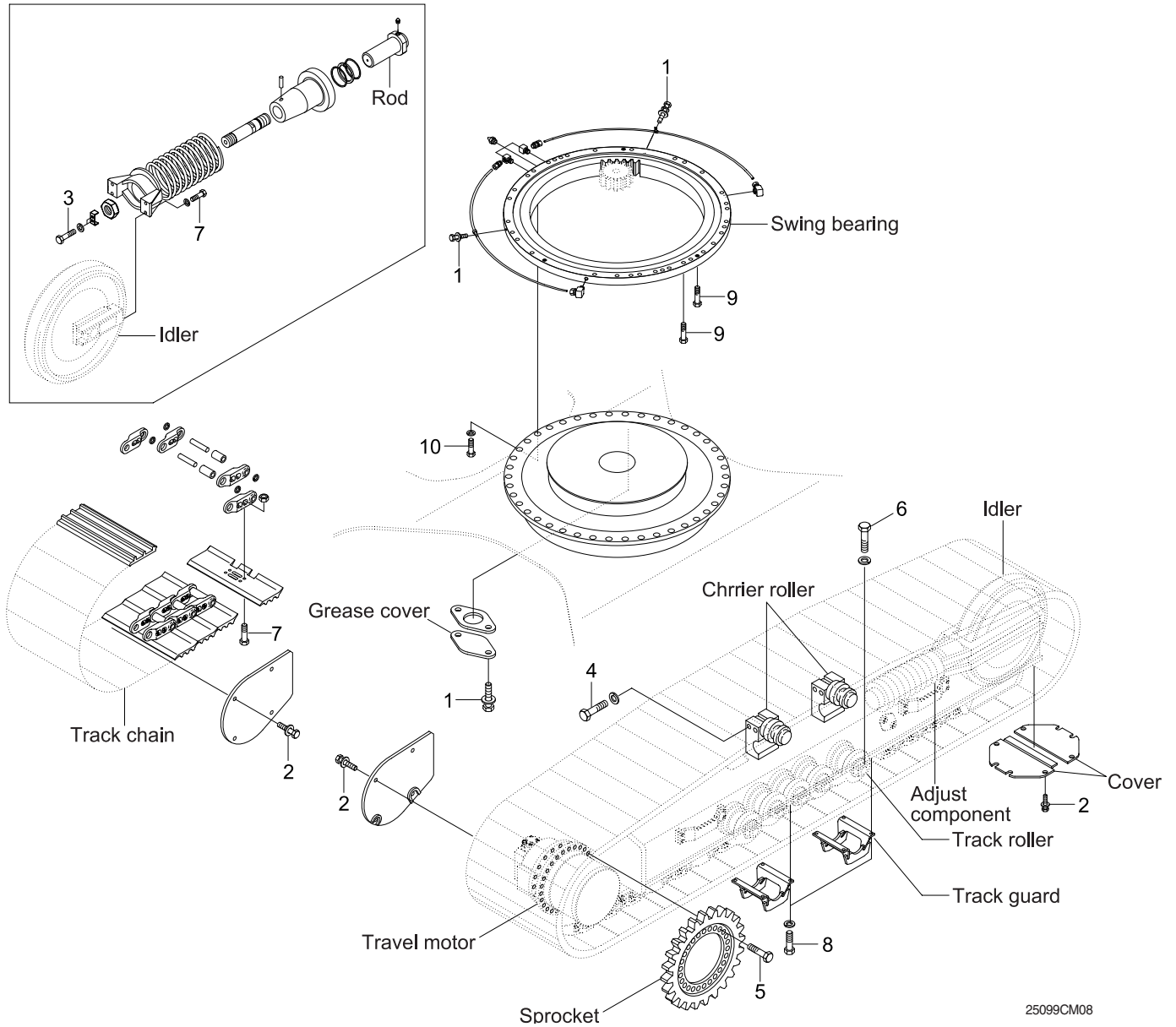


GROUP 5 UNDERCARRIAGE

UNDERCARRIAGE MOUNTING

ADJUST COMPONENT



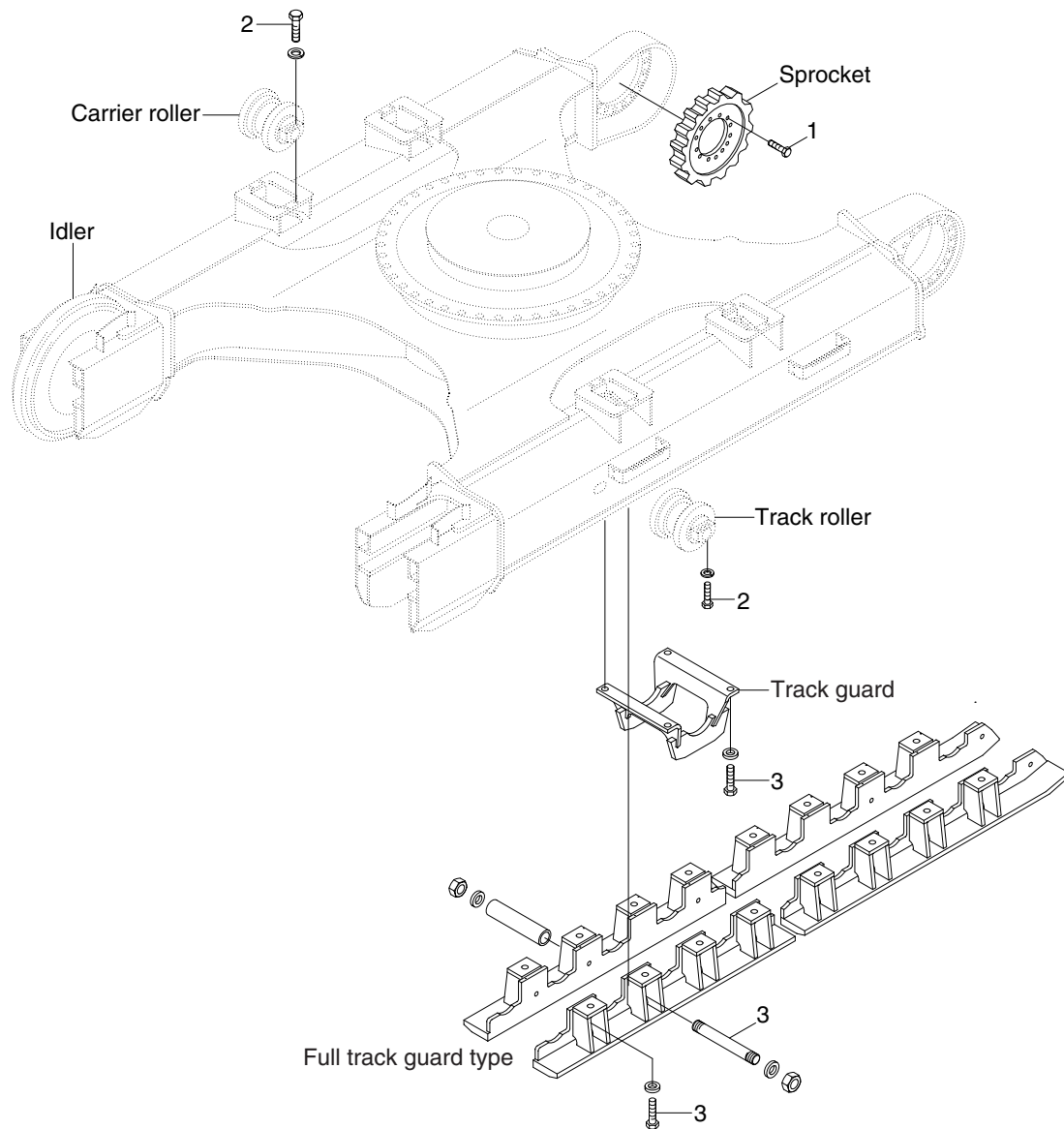
25099CM08

· Tightening torque

Item	Size	kgf · m	lbf · ft
1	M10×1.5	6.9±1.4	49.9±10.1
2	M12×1.75	12.8±3.0	92.6±21.7
3	M12×1.25	15±0.5	108±3.6
4	M16×2.0	23±2.5	166±18.1
5	M16×2.0	26±2.5	188±18.1

Item	Size	kgf · m	lbf · ft
6	M16×2.0	29.7±4.5	215±32.5
7	M20×2.5	78±8.0	564±57.9
8	M20×2.5	57.9±8.7	419±62.9
9	M22×2.5	78±8.0	564±57.9
10	M24×3.0	100±10	723±72.3

UNDERCARRIAGE MOUNTING (HIGH WALKER)



25099CM15

· Tightening torque

Item	Size	kgf · m	lbf · ft
1	M20 × 2.5	51 ± 4.0	369 ± 28.9
2	M20 × 2.5	57.9 ± 8.6	419 ± 62.2
3	M24 × 3.0	100 ± 15	723 ± 108