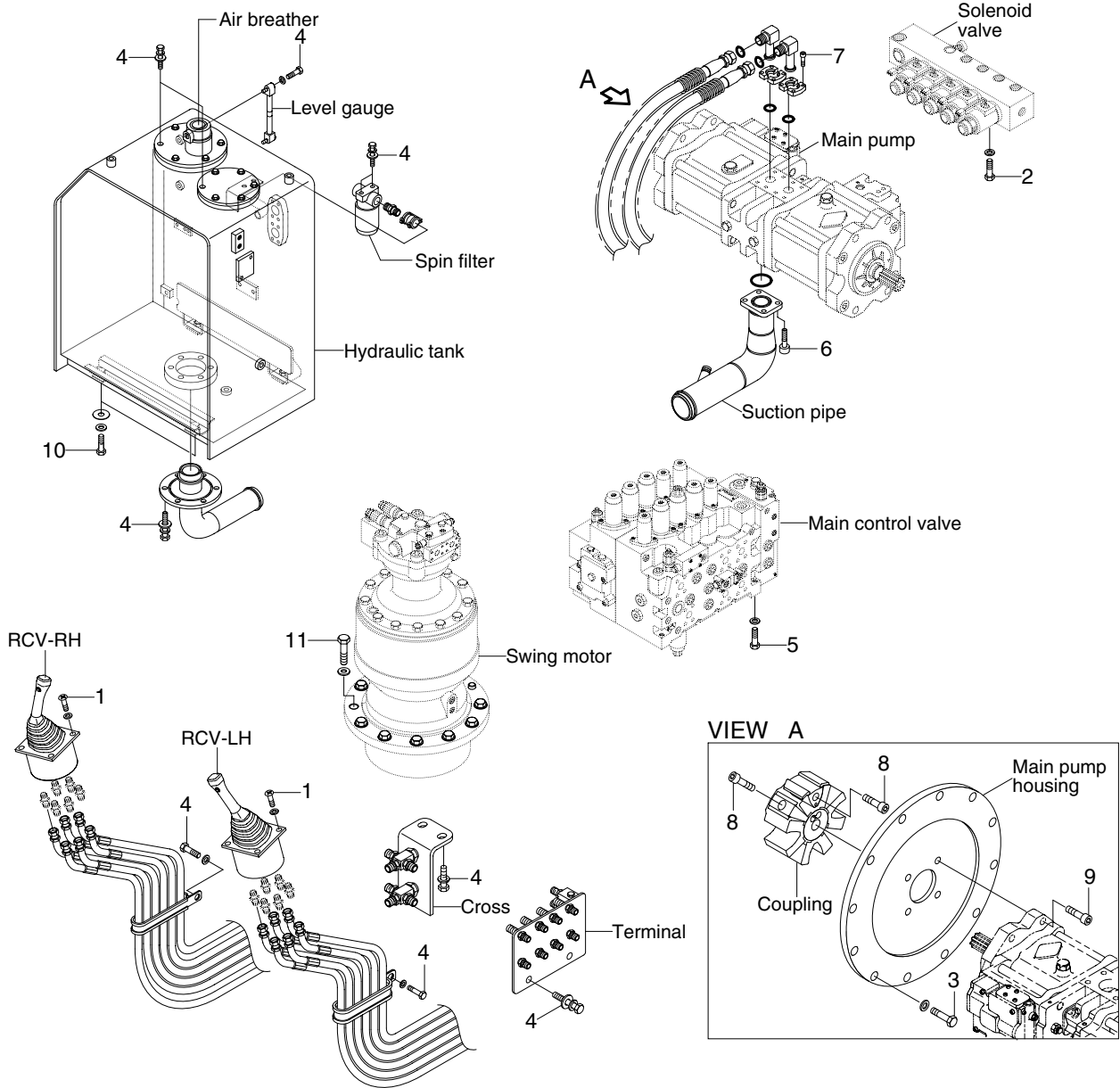


GROUP 4 HYDRAULIC SYSTEM

HYDRAULIC COMPONENTS MOUNTING 1



2507A9CM05

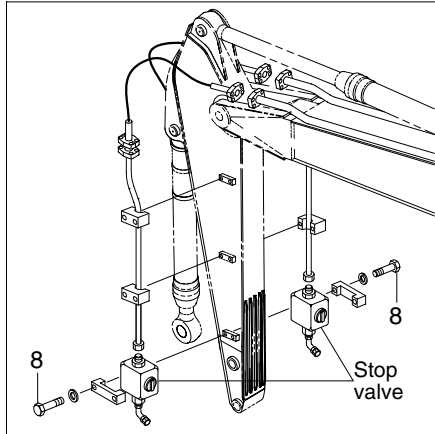
· Tightening torque

Item	Size	kgf · m	lbf · ft
1	M 6×1.0	1.05±0.2	7.6±1.45
2	M 8×1.25	2.5±0.5	18.1±3.6
3	M10×1.5	4.8±0.3	34.7±2.2
4	M10×1.5	6.9±1.4	49.9±10.1
5	M12×1.75	12.3±1.3	88.9±9.4
6	M12×1.75	12.8±3.0	92.5±21.6

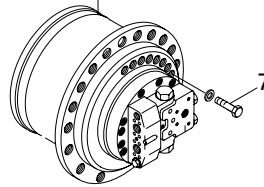
Item	Size	kgf · m	lbf · ft
7	M14×2.0	19.6±2.9	142±20.9
8	M18×2.0	32±1.0	231±7.2
9	M20×2.5	42±4.5	304±32.5
10	M20×2.5	46±5.1	333±36.8
11	M24×3.0	97.8±10	707±72.3
-	-	-	-

HYDRAULIC COMPONENTS MOUNTING 2

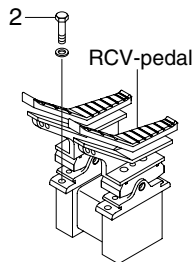
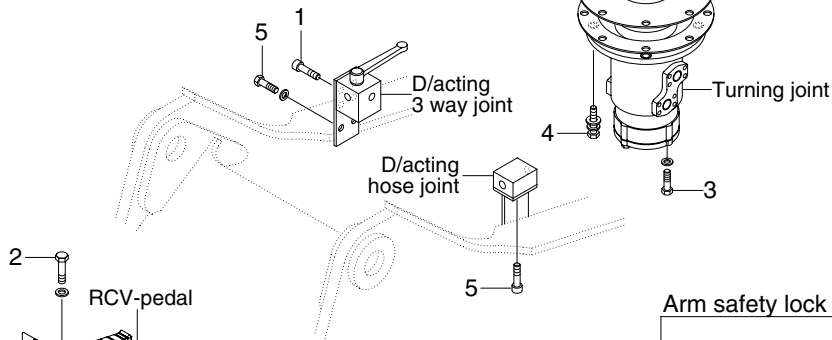
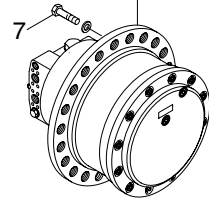
Double acting attachment piping



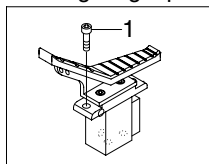
Travel motor(RH)



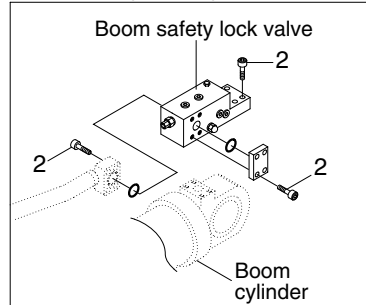
Travel motor(LH)



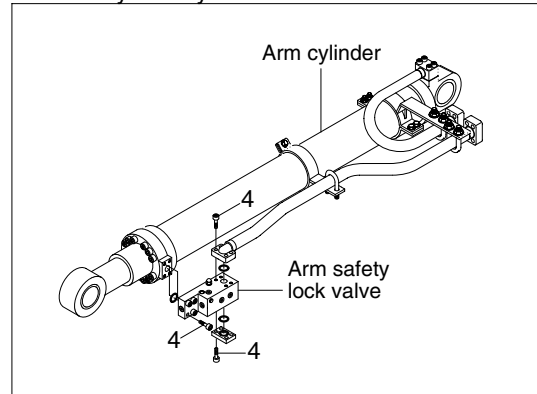
D/acting single pedal



Boom safety lock system



Arm safety lock system



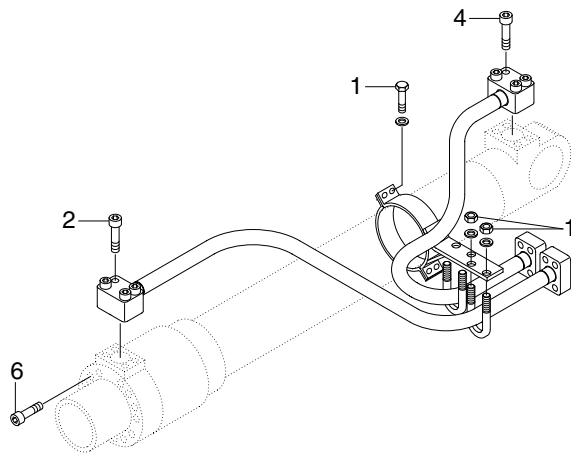
2507A9CM06

· Tightening torque

Item	Size	kgf · m	lbf · ft
1	M 8×1.25	4.05±0.8	29.3±5.8
2	M10×1.5	6.9±1.4	49.9±10.1
3	M12×1.75	12.3±1.3	88.9±9.4
4	M12×1.75	12.0±1.3	86.8±9.4

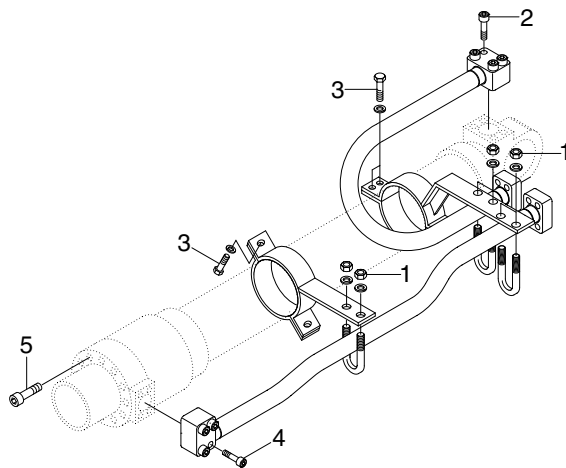
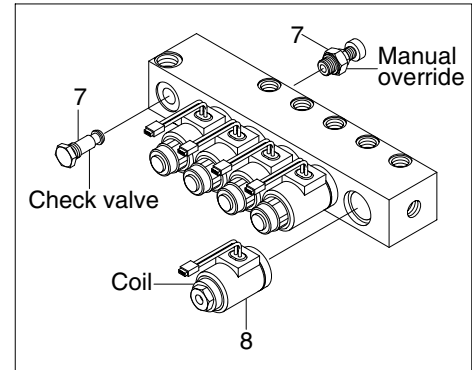
Item	Size	kgf · m	lbf · ft
5	M12×1.75	12.8±3.0	92.6±21.7
6	M14×2.0	19.6±2.9	141.8±21
7	M16×2.0	23.0±2.5	166±18.1
8	M16×2.0	29.7±4.5	215±32.5

HYDRAULIC COMPONENTS MOUNTING 3

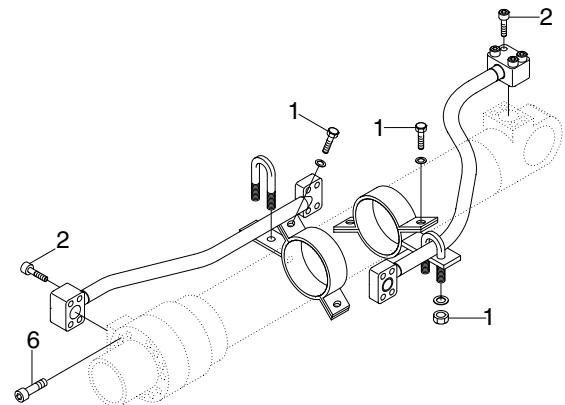


BOOM CYLINDER

Solenoid valve



ARM CYLINDER



BUCKET CYLINDER

2507A9CM07

· Tightening torque

Item	Size	kgf · m	lbf · ft
1	M10×1.5	3.2±0.3	23.1±2.2
2	M10×1.5	5.4±0.5	39.1±3.6
3	M12×1.75	5.5±0.6	39.8±4.3
4	M12×1.75	9.4±1.0	68.0±7.2

Item	Size	kgf · m	lbf · ft
5	M20×2.5	46±5.0	333±36.2
6	M22×2.5	63±6.0	456±43.4
7	M22×2.5	4.1	29.6
8	M27×3.0	5.1	36.9