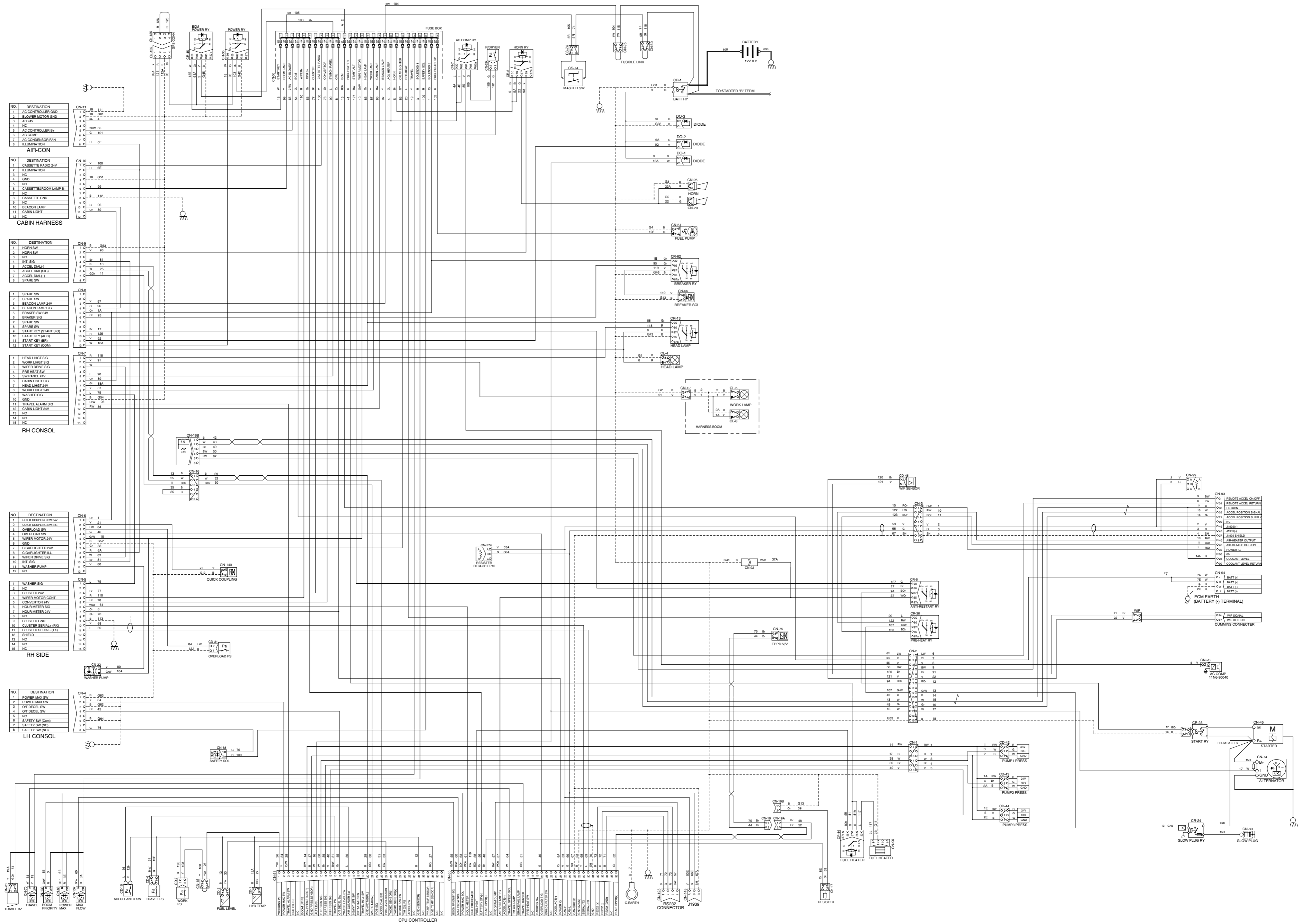
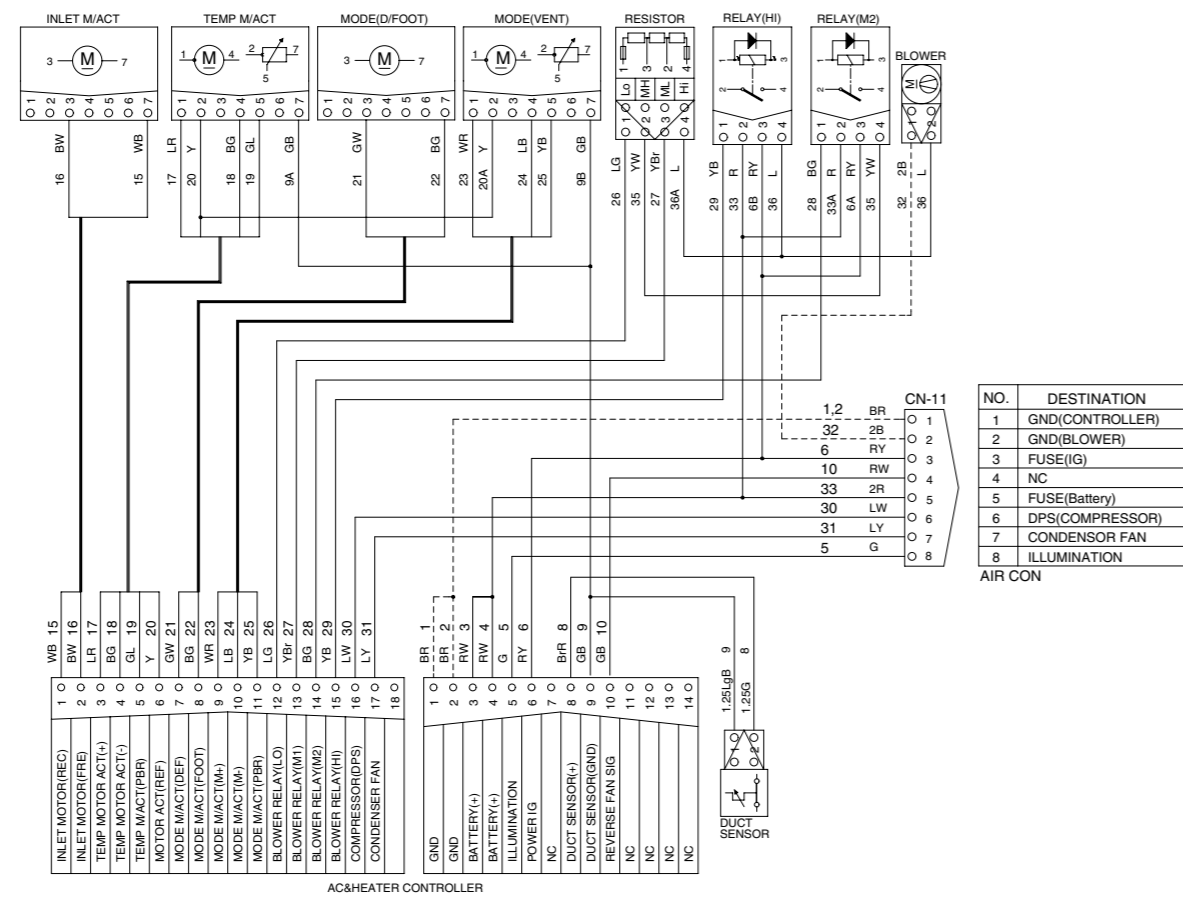


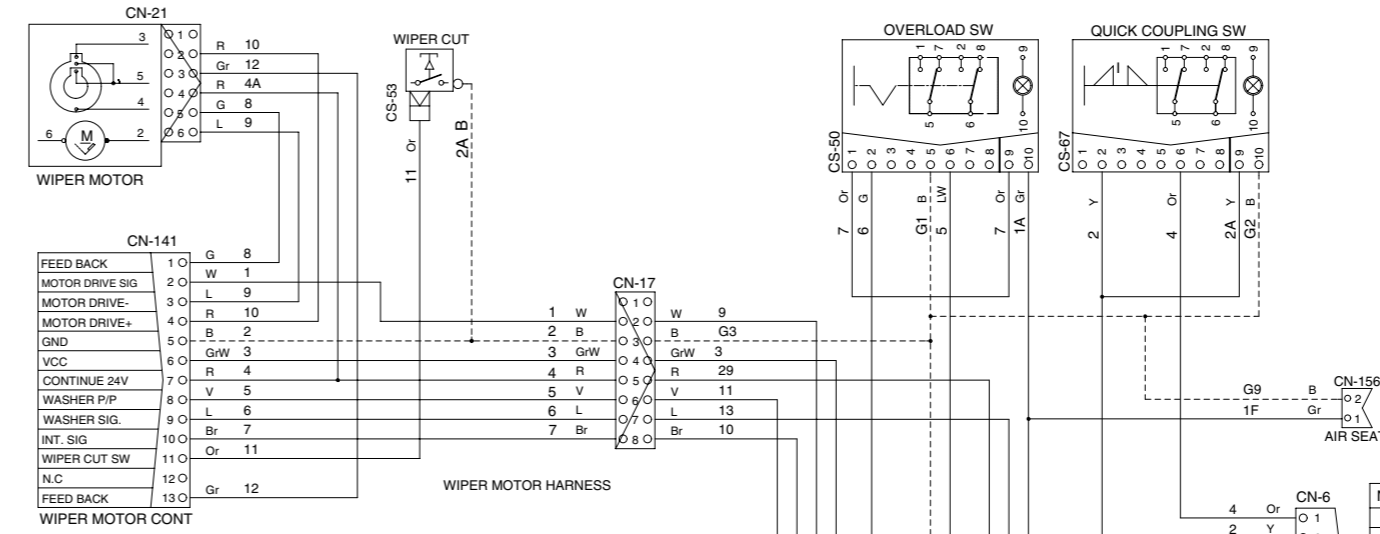
GROUP 2 ELECTRICAL CIRCUIT(1/2)



GROUP 2 ELECTRICAL CIRCUIT(2/2)



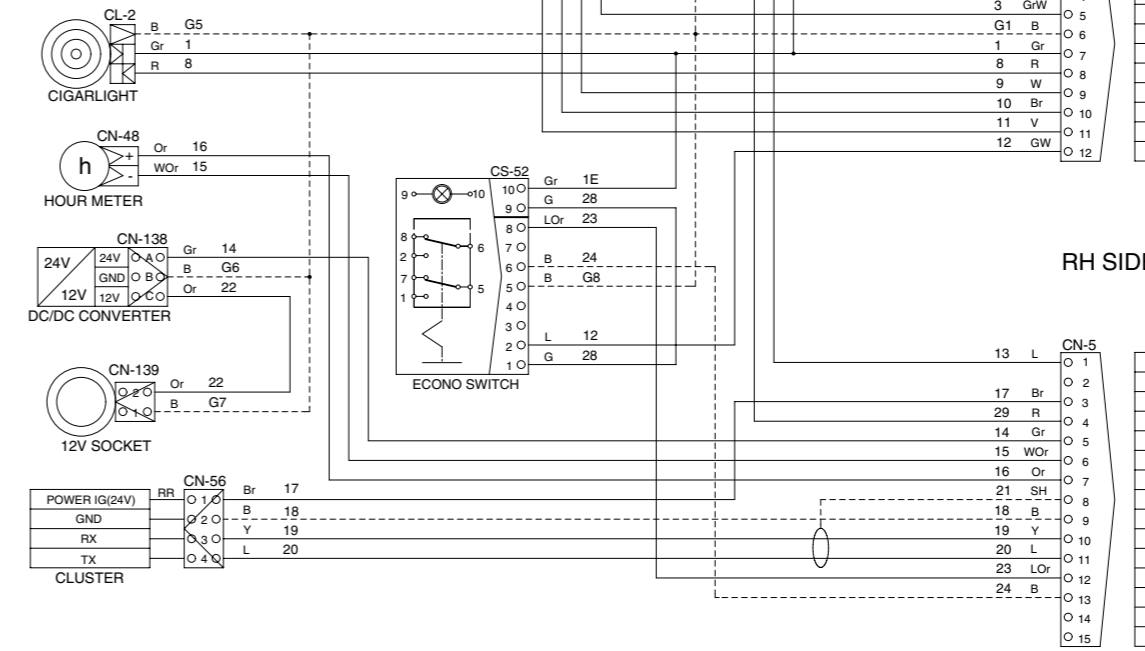
NO.	DESTINATION
1	GND(CONTROLLER)
2	GND(BLOWER)
3	FUSE(I/G)
4	NC
5	FUSE(Battery)
6	DPIS(COMPRESSOR)
7	CONDENSOR FAN
8	ILLUMINATION



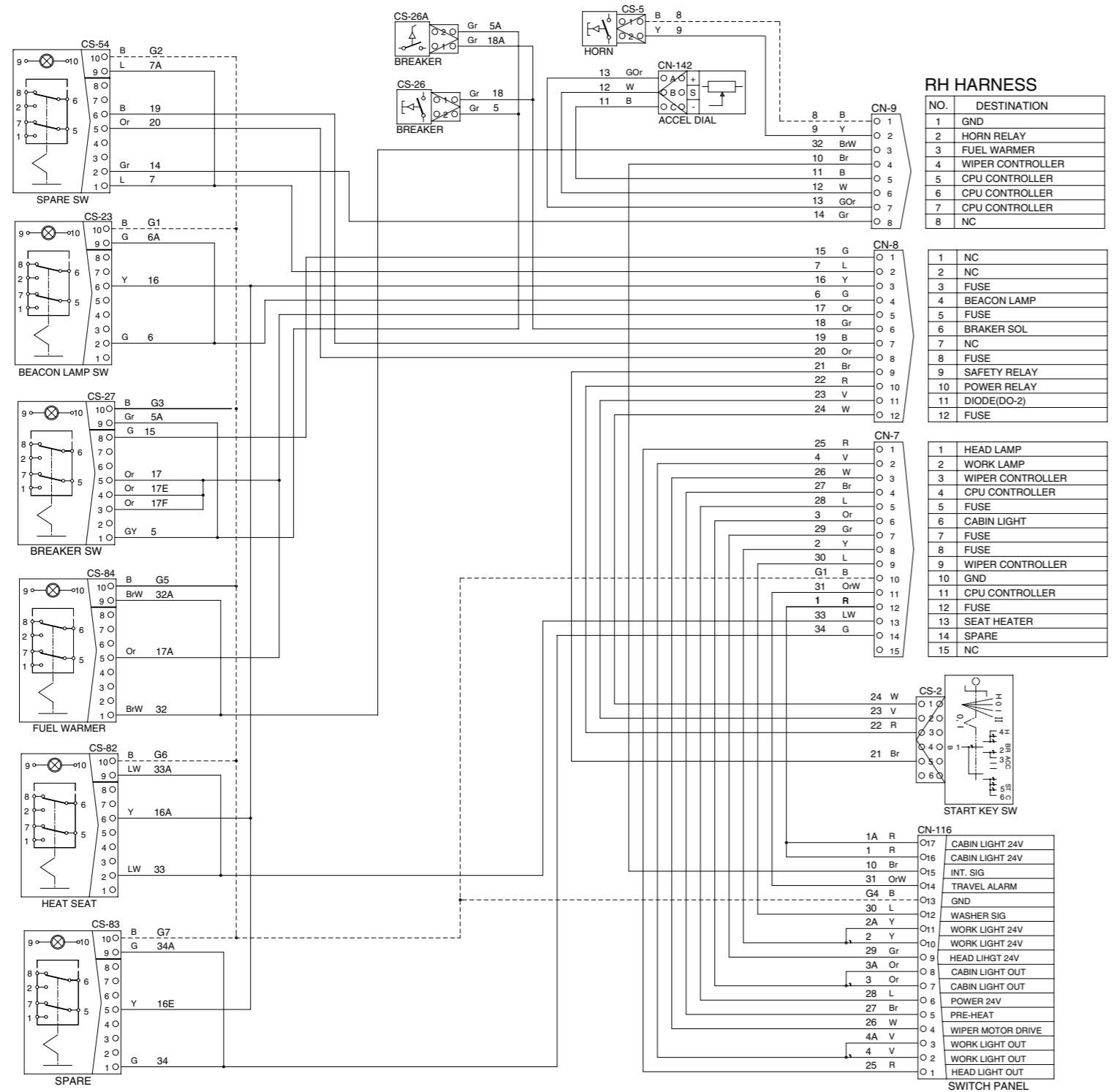
NO.	DESTINATION
1	GND
2	WIPER CUT
3	WIPER CUT SW
4	WIPER CUT SW
5	WIPER CUT SW
6	WIPER CUT SW
7	WIPER CUT SW
8	WIPER CUT SW
9	WIPER CUT SW
10	WIPER CUT SW
11	WIPER CUT SW
12	WIPER CUT SW
13	WIPER CUT SW

NO.	DESTINATION
1	FUSE
2	QUICK COUPLING SOL
3	OVERLOAD PS
4	CPU CONTROLLER
5	FUSE
6	GND
7	FUSE
8	ILLUMINATION
9	SWITCH PANEL
10	SWITCH PANEL
11	WASHER PUMP
12	MCU

RH SIDE HARNESS



NO.	DESTINATION
1	SWITCH PANEL
2	NC
3	FUSE
4	FUSE
5	FUSE
6	FUSE
7	FUSE
8	CPU CASE EARTH
9	GND
10	CPU CONTROLLER
11	CPU CONTROLLER
12	MCU
13	GND
14	NC
15	NC



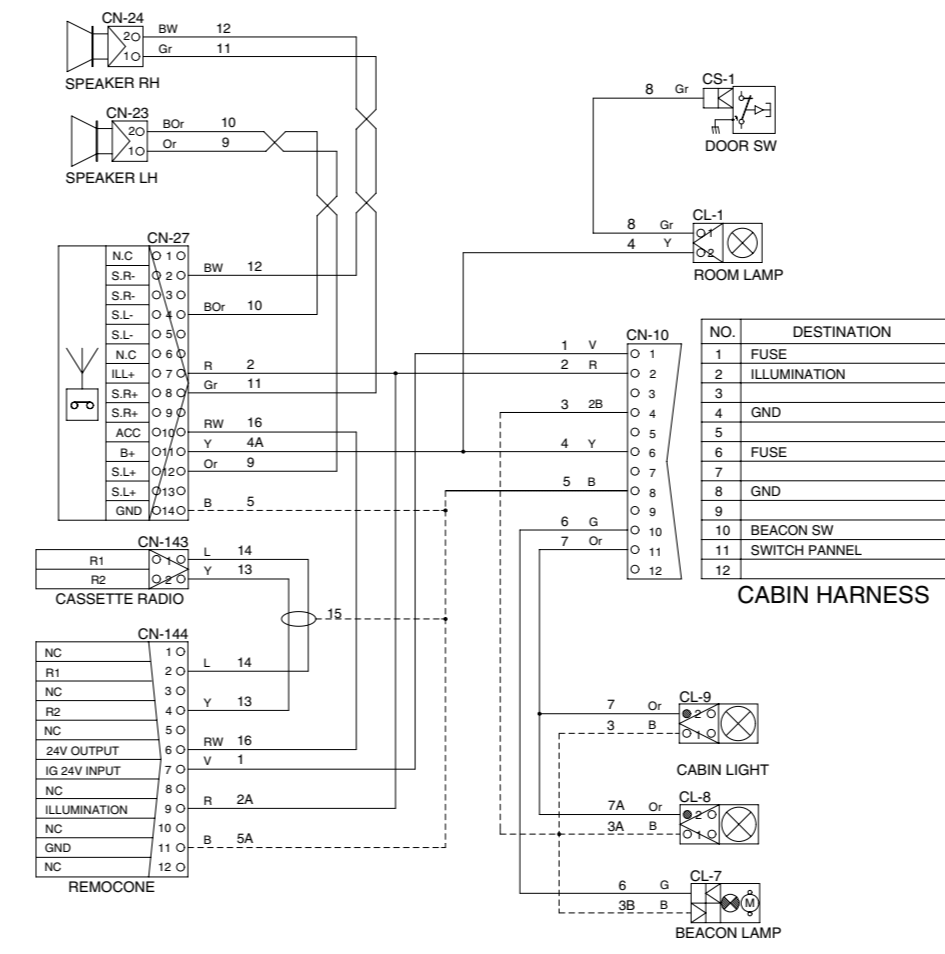
NO.	DESTINATION
1	GND
2	HORN RELAY
3	FUEL WARMER
4	WIPER CONTROLLER
5	CPU CONTROLLER
6	CPU CONTROLLER
7	CPU CONTROLLER
8	NC

NO.	DESTINATION
1	NC
2	NC
3	FUSE
4	BEACON LAMP
5	FUSE
6	BRAKER SOL
7	NC
8	FUSE
9	SAFETY RELAY
10	POWER RELAY
11	DIODE(DO-2)
12	FUSE

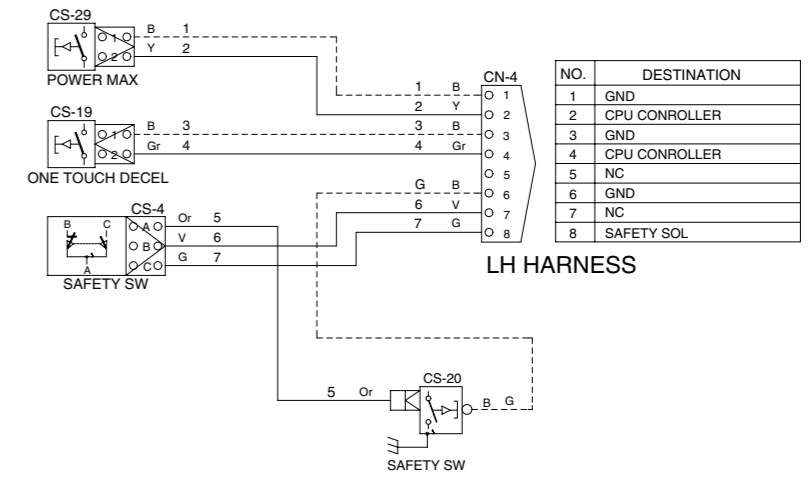
NO.	DESTINATION
1	HEAD LAMP
2	WORK LAMP
3	WIPER CONTROLLER
4	CPU CONTROLLER
5	FUSE
6	CABIN LIGHT
7	FUSE
8	FUSE
9	WIPER CONTROLLER
10	GND
11	CPU CONTROLLER
12	FUSE
13	SEAT HEATER
14	SPARE
15	NC

NO.	DESTINATION
1	CABIN LIGHT 24V
2	CABIN LIGHT 24V
3	INT. SIG
4	TRAVEL ALARM
5	GND
6	GND
7	WIPER LIGHT 24V
8	WIPER LIGHT 24V
9	WIPER LIGHT 24V
10	WIPER LIGHT 24V
11	WIPER LIGHT 24V
12	WIPER LIGHT 24V
13	WIPER LIGHT 24V
14	WIPER LIGHT 24V
15	WIPER LIGHT 24V
16	WIPER LIGHT 24V
17	WIPER LIGHT 24V
18	WIPER LIGHT 24V
19	WIPER LIGHT 24V
20	WIPER LIGHT 24V
21	WIPER LIGHT 24V
22	WIPER LIGHT 24V
23	WIPER LIGHT 24V
24	WIPER LIGHT 24V
25	WIPER LIGHT 24V
26	WIPER LIGHT 24V
27	WIPER LIGHT 24V
28	WIPER LIGHT 24V
29	WIPER LIGHT 24V
30	WIPER LIGHT 24V
31	WIPER LIGHT 24V
32	WIPER LIGHT 24V
33	WIPER LIGHT 24V
34	WIPER LIGHT 24V
35	WIPER LIGHT 24V
36	WIPER LIGHT 24V
37	WIPER LIGHT 24V
38	WIPER LIGHT 24V
39	WIPER LIGHT 24V
40	WIPER LIGHT 24V
41	WIPER LIGHT 24V
42	WIPER LIGHT 24V
43	WIPER LIGHT 24V
44	WIPER LIGHT 24V
45	WIPER LIGHT 24V
46	WIPER LIGHT 24V
47	WIPER LIGHT 24V
48	WIPER LIGHT 24V
49	WIPER LIGHT 24V
50	WIPER LIGHT 24V
51	WIPER LIGHT 24V
52	WIPER LIGHT 24V
53	WIPER LIGHT 24V
54	WIPER LIGHT 24V
55	WIPER LIGHT 24V
56	WIPER LIGHT 24V
57	WIPER LIGHT 24V
58	WIPER LIGHT 24V
59	WIPER LIGHT 24V
60	WIPER LIGHT 24V
61	WIPER LIGHT 24V
62	WIPER LIGHT 24V
63	WIPER LIGHT 24V
64	WIPER LIGHT 24V
65	WIPER LIGHT 24V
66	WIPER LIGHT 24V
67	WIPER LIGHT 24V
68	WIPER LIGHT 24V
69	WIPER LIGHT 24V
70	WIPER LIGHT 24V
71	WIPER LIGHT 24V
72	WIPER LIGHT 24V
73	WIPER LIGHT 24V
74	WIPER LIGHT 24V
75	WIPER LIGHT 24V
76	WIPER LIGHT 24V
77	WIPER LIGHT 24V
78	WIPER LIGHT 24V
79	WIPER LIGHT 24V
80	WIPER LIGHT 24V
81	WIPER LIGHT 24V
82	WIPER LIGHT 24V
83	WIPER LIGHT 24V
84	WIPER LIGHT 24V
85	WIPER LIGHT 24V
86	WIPER LIGHT 24V
87	WIPER LIGHT 24V
88	WIPER LIGHT 24V
89	WIPER LIGHT 24V
90	WIPER LIGHT 24V
91	WIPER LIGHT 24V
92	WIPER LIGHT 24V
93	WIPER LIGHT 24V
94	WIPER LIGHT 24V
95	WIPER LIGHT 24V
96	WIPER LIGHT 24V
97	WIPER LIGHT 24V
98	WIPER LIGHT 24V
99	WIPER LIGHT 24V
100	WIPER LIGHT 24V

NO.	DESTINATION
1	CABIN LIGHT 24V
2	CABIN LIGHT 24V
3	INT. SIG
4	TRAVEL ALARM
5	GND
6	GND
7	WIPER LIGHT 24V
8	WIPER LIGHT 24V
9	WIPER LIGHT 24V
10	WIPER LIGHT 24V
11	WIPER LIGHT 24V
12	WIPER LIGHT 24V
13	WIPER LIGHT 24V
14	WIPER LIGHT 24V
15	WIPER LIGHT 24V
16	WIPER LIGHT 24V
17	WIPER LIGHT 24V
18	WIPER LIGHT 24V
19	WIPER LIGHT 24V
20	WIPER LIGHT 24V
21	WIPER LIGHT 24V
22	WIPER LIGHT 24V
23	WIPER LIGHT 24V
24	WIPER LIGHT 24V
25	WIPER LIGHT 24V
26	WIPER LIGHT 24V
27	WIPER LIGHT 24V
28	WIPER LIGHT 24V
29	WIPER LIGHT 24V
30	WIPER LIGHT 24V
31	WIPER LIGHT 24V
32	WIPER LIGHT 24V
33	WIPER LIGHT 24V
34	WIPER LIGHT 24V
35	WIPER LIGHT 24V
36	WIPER LIGHT 24V
37	WIPER LIGHT 24V
38	WIPER LIGHT 24V
39	WIPER LIGHT 24V
40	WIPER LIGHT 24V
41	WIPER LIGHT 24V
42	WIPER LIGHT 24V
43	WIPER LIGHT 24V
44	WIPER LIGHT 24V
45	WIPER LIGHT 24V
46	WIPER LIGHT 24V
47	WIPER LIGHT 24V
48	WIPER LIGHT 24V
49	WIPER LIGHT 24V
50	WIPER LIGHT 24V
51	WIPER LIGHT 24V
52	WIPER LIGHT 24V
53	WIPER LIGHT 24V
54	WIPER LIGHT 24V
55	WIPER LIGHT 24V
56	WIPER LIGHT 24V
57	WIPER LIGHT 24V
58	WIPER LIGHT 24V
59	WIPER LIGHT 24V
60	WIPER LIGHT 24V
61	WIPER LIGHT 24V
62	WIPER LIGHT 24V
63	WIPER LIGHT 24V
64	WIPER LIGHT 24V
65	WIPER LIGHT 24V
66	WIPER LIGHT 24V
67	WIPER LIGHT 24V
68	WIPER LIGHT 24V
69	WIPER LIGHT 24V
70	WIPER LIGHT 24V
71	WIPER LIGHT 24V
72	WIPER LIGHT 24V
73	WIPER LIGHT 24V
74	WIPER LIGHT 24V
75	WIPER LIGHT 24V
76	WIPER LIGHT 24V
77	WIPER LIGHT 24V
78	WIPER LIGHT 24V
79	WIPER LIGHT 24V
80	WIPER LIGHT 24V
81	WIPER LIGHT 24V
82	WIPER LIGHT 24V
83	WIPER LIGHT 24V
84	WIPER LIGHT 24V
85	WIPER LIGHT 24V
86	WIPER LIGHT 24V
87	WIPER LIGHT 24V
88	WIPER LIGHT 24V
89	WIPER LIGHT 24V
90	WIPER LIGHT 24V
91	WIPER LIGHT 24V
92	WIPER LIGHT 24V
93	WIPER LIGHT 24V
94	WIPER LIGHT 24V
95	WIPER LIGHT 24V
96	WIPER LIGHT 24V
97	WIPER LIGHT 24V
98	WIPER LIGHT 24V
99	WIPER LIGHT 24V
100	WIPER LIGHT 24V



NO.	DESTINATION
1	FUSE
2	ILLUMINATION
3	FUSE
4	GND
5	FUSE
6	FUSE
7	GND
8	GND
9	GND
10	BEACON SW
11	SWITCH PANNEL
12	FUSE



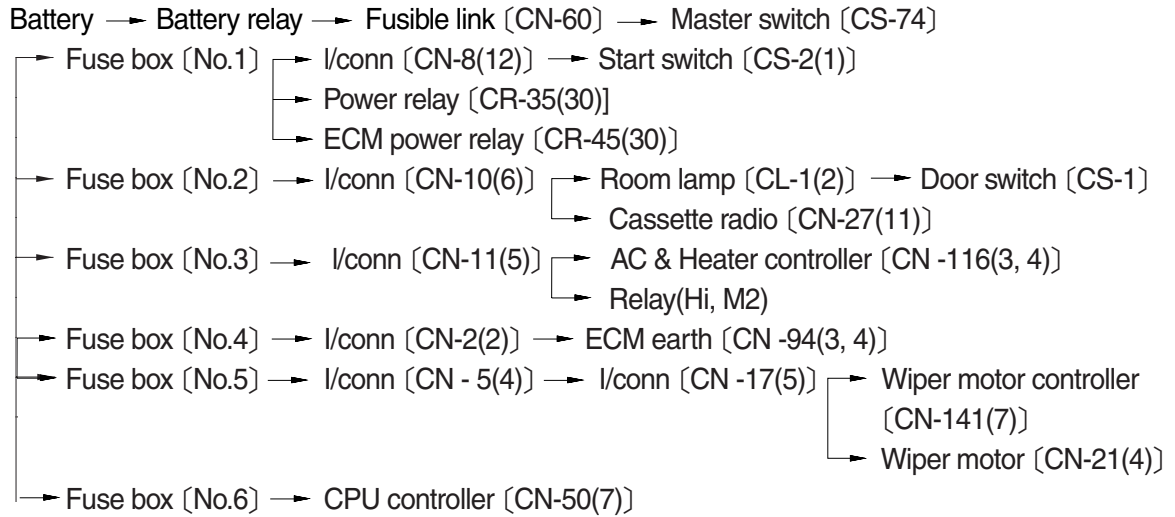
NO.	DESTINATION
1	GND
2	CPU CONTROLLER
3	GND
4	CPU CONTROLLER
5	NC
6	GND
7	NC
8	SAFETY SOL

1. POWER CIRCUIT

The negative terminal of battery is grounded to the machine chassis through master switch.

When the start switch is in the OFF position, the current flows from the positive battery terminal as shown below.

1) OPERATING FLOW



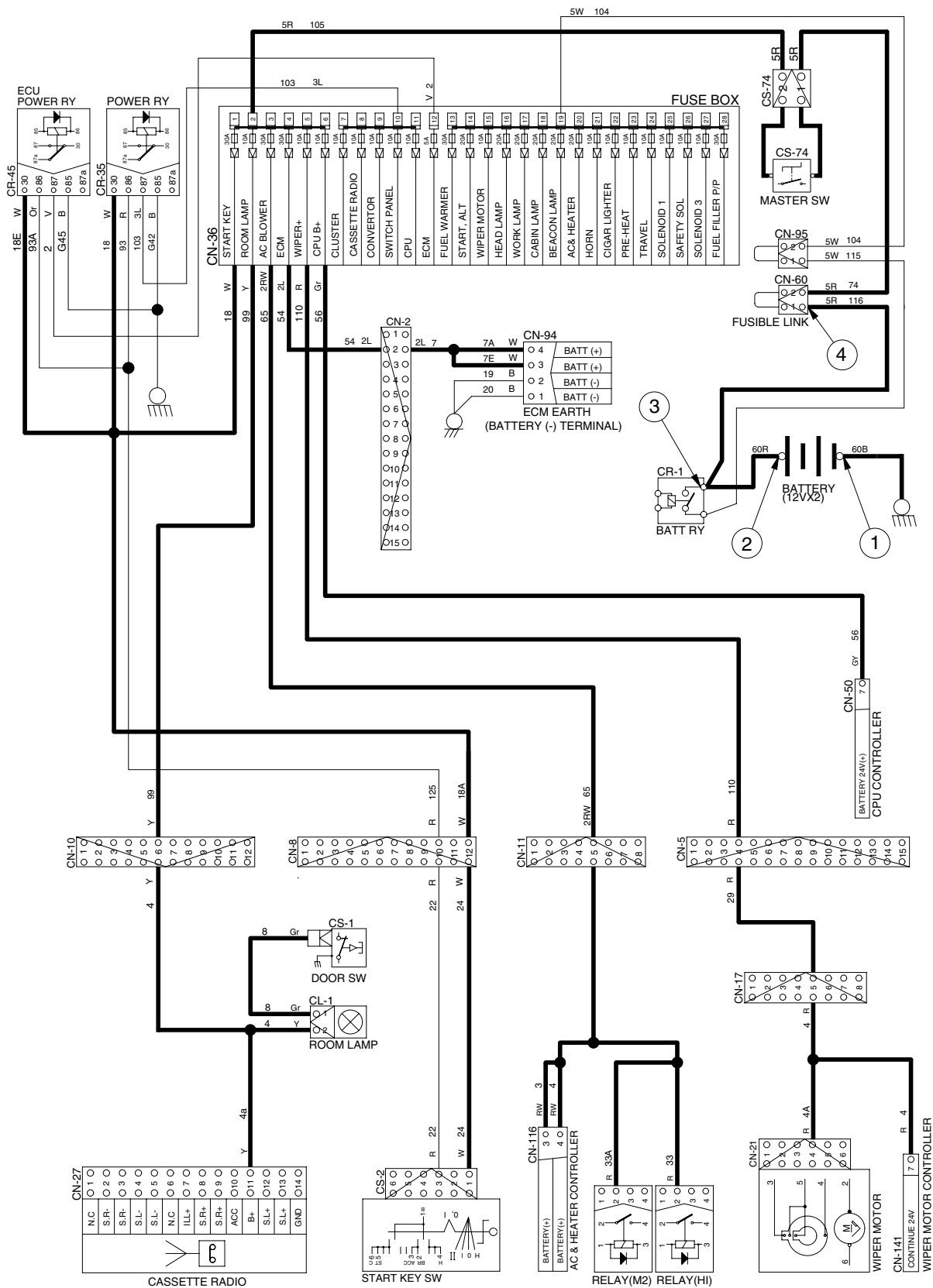
※ I/conn : Intermediate connector

2) CHECK POINT

Engine	Start switch	Check point	Voltage
OFF	OFF	① - GND (Battery 1EA)	10~12.5V
		② - GND (Battery 2EA)	20~25V
		③ - GND (Battery 2EA)	20~25V
		④ - GND (Fusible link)	20~25V

※ GND : Ground

POWER CIRCUIT



2507A4EL05

2. STARTING CIRCUIT

1) OPERATING FLOW

Battery(+) terminal → Battery relay〔CR-1〕 → Fusible link〔CN-60〕 → Master switch〔CS-74〕
 → Fuse box〔No.1〕 → I/conn〔CN-8(12)〕 → Start switch〔CS-2(1)〕

(1) When start key switch is in ON position

→ Start switch ON〔CS-2(2)〕 → I/conn〔CN-8(11)〕 → Battery relay〔CR-1〕
 → Battery relay operating (All power is supplied with the electric component)
 → Start switch ON〔CS-2(3)〕 → I/conn〔CN-8(10)〕 → Power relay〔CR-35(86) → (87)〕
 → Fuse box〔No.10〕

(2) When start key switch is in START position

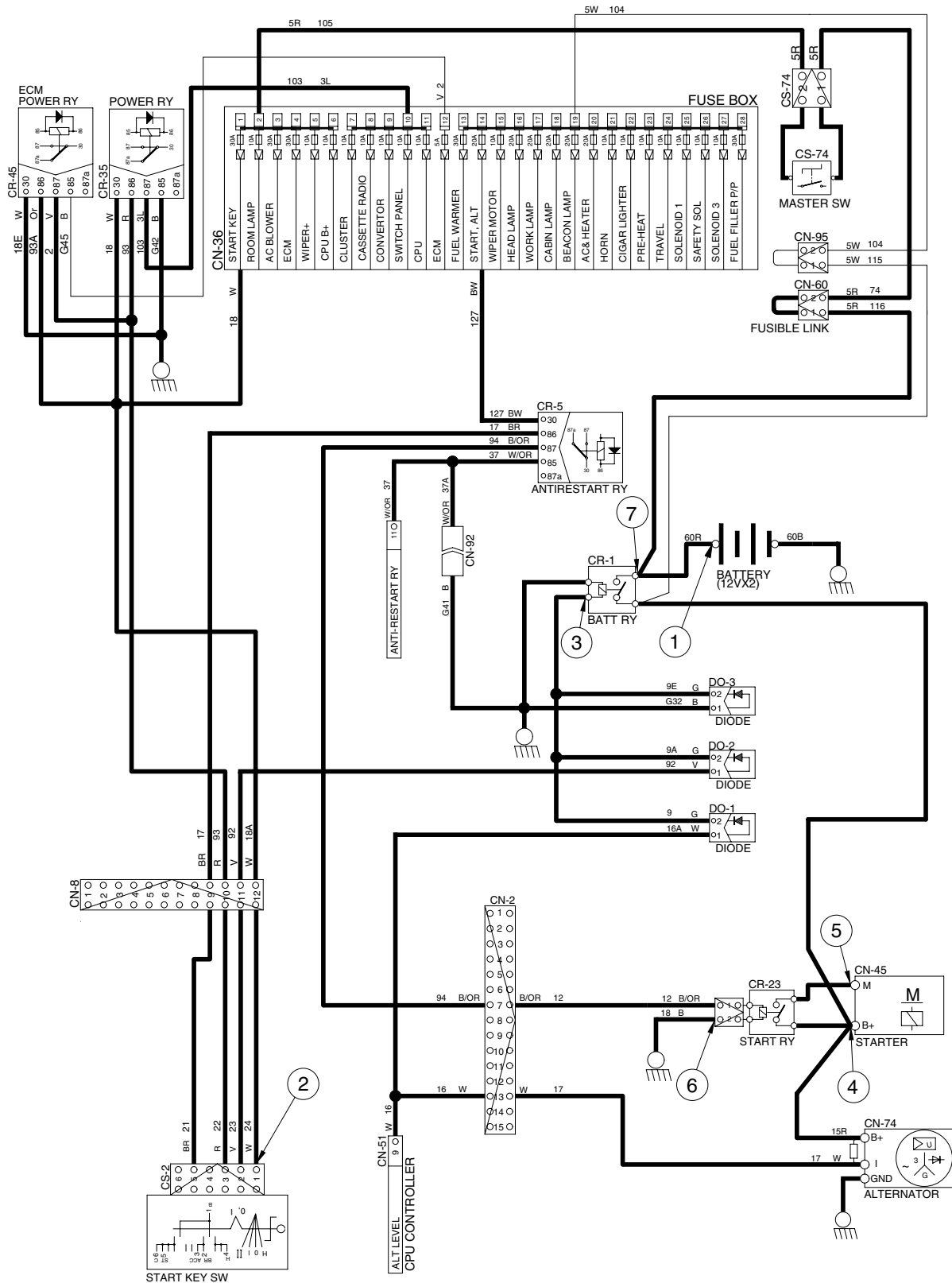
Start switch START〔CS-2(5)〕 → I/conn〔CN-8(9)〕 → Anti-restart relay〔CR-5(86) → (87)〕
 → I/conn〔CN-2(7)〕 → Start relay〔CR-23〕

2) CHECK POINT

Engine	Start switch	Check point	Voltage
OPERATING	START	① - GND(Battery) ② - GND(Start key) ③ - GND(Battery relay M4) ④ - GND(Starter B+) ⑤ - GND(Starter M) ⑥ - GND(Start relay) ⑦ - GND(Battery relay M8)	20~25V

※ GND : Ground

STARTING CIRCUIT



2507A4EL06

3. CHARGING CIRCUIT

When the starter is activated and the engine is started, the operator releases the key switch to the ON position.

Charging current generated by operating alternator flows into the battery through the battery relay (CR-1).

The current also flows from alternator to each electrical component and controller through the fuse box.

1) OPERATING FLOW

(1) Warning flow

Alternator "I" terminal → I/conn [CN-2(13)] → CPU alternator level [CN-51(9)]
Cluster charging warning lamp(Via serial interface)

(2) Charging flow

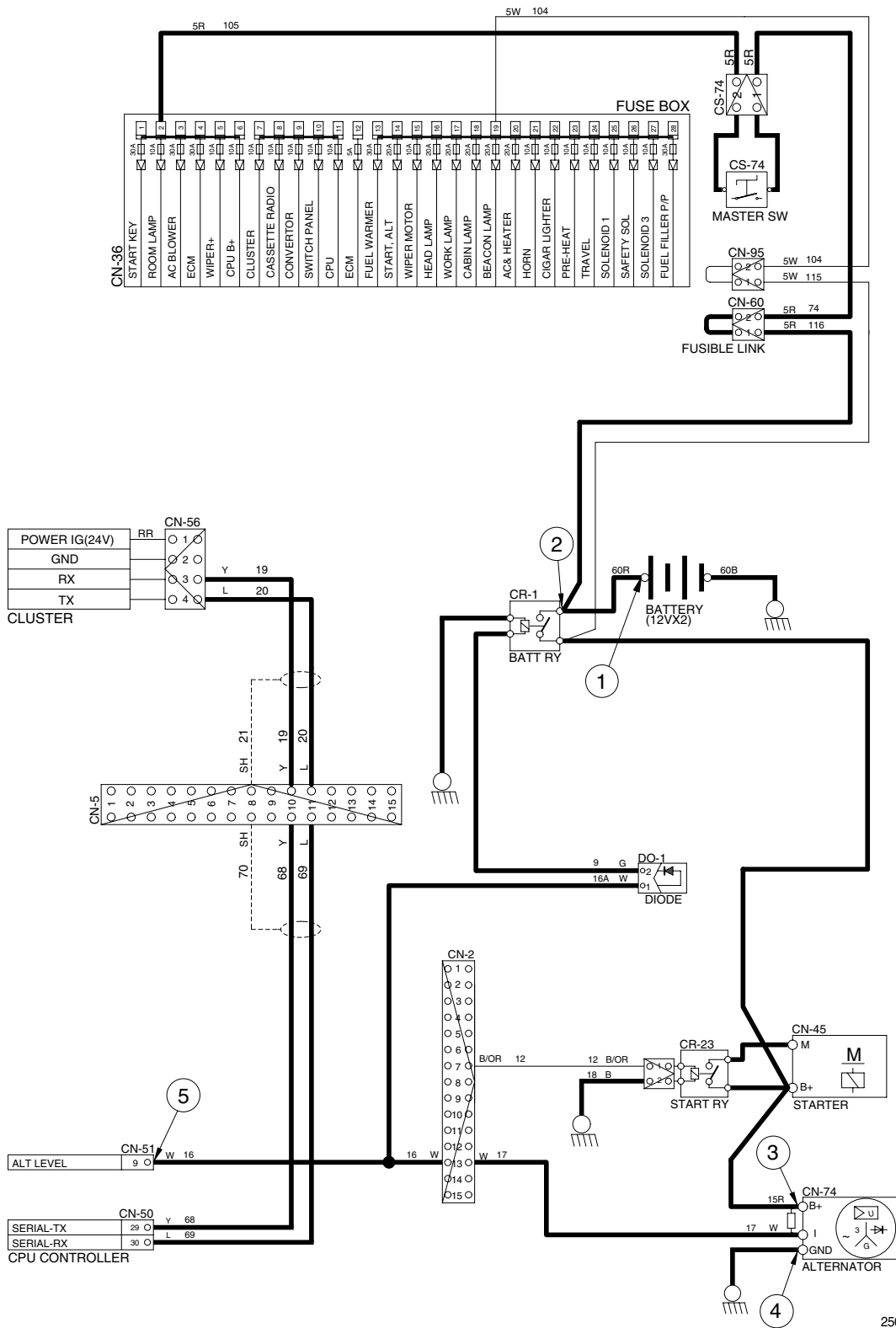
Alternator "B+" terminal → Battery relay(M8) → Battery(+) terminal
→ Fusible link [CS-60] → Master switch[CS-74]
→ Fuse box

2) CHECK POINT

Engine	Start switch	Check point	Voltage
Run	ON	① - GND(Battery voltage) ② - GND(Battery relay) ③ - GND(Alternator B ⁺ terminal) ④ - GND(Alternator I terminal) ⑤ - GND(CPU)	20~30V

※ GND : Ground

CHARGING CIRCUIT



2507A4EL07

4. HEAD AND WORK LIGHT CIRCUIT

1) OPERATING FLOW

Fuse box (No.16) → I/conn [CN-7(7)] → Switch panel [CN-116(9)]

Fuse box (No.17) → I/conn [CN-7(8)] → Switch panel [CN-116(10,11)]

(1) Head light switch ON

Head light switch ON [CN-116(1)] → I/conn [CN-7(1)] → Head light relay [CR-13(86)]

→ Head light ON [CL-4(1)]

→ I/conn [CN-10(2)] → Cassette radio & Remote controller illumination ON [CN-27(7), CN-114(9)]

→ I/conn [CN-11(8)] → AC & Heater controller illumination ON [CN-116(5)]

→ I/conn [CN-6(8)] → Cigarlight [CL-2]

(2) Work light switch ON

Work light switch ON [CN-116(2,3)] → I/conn [CN-7(2)] → I/conn [CN-12(1)]

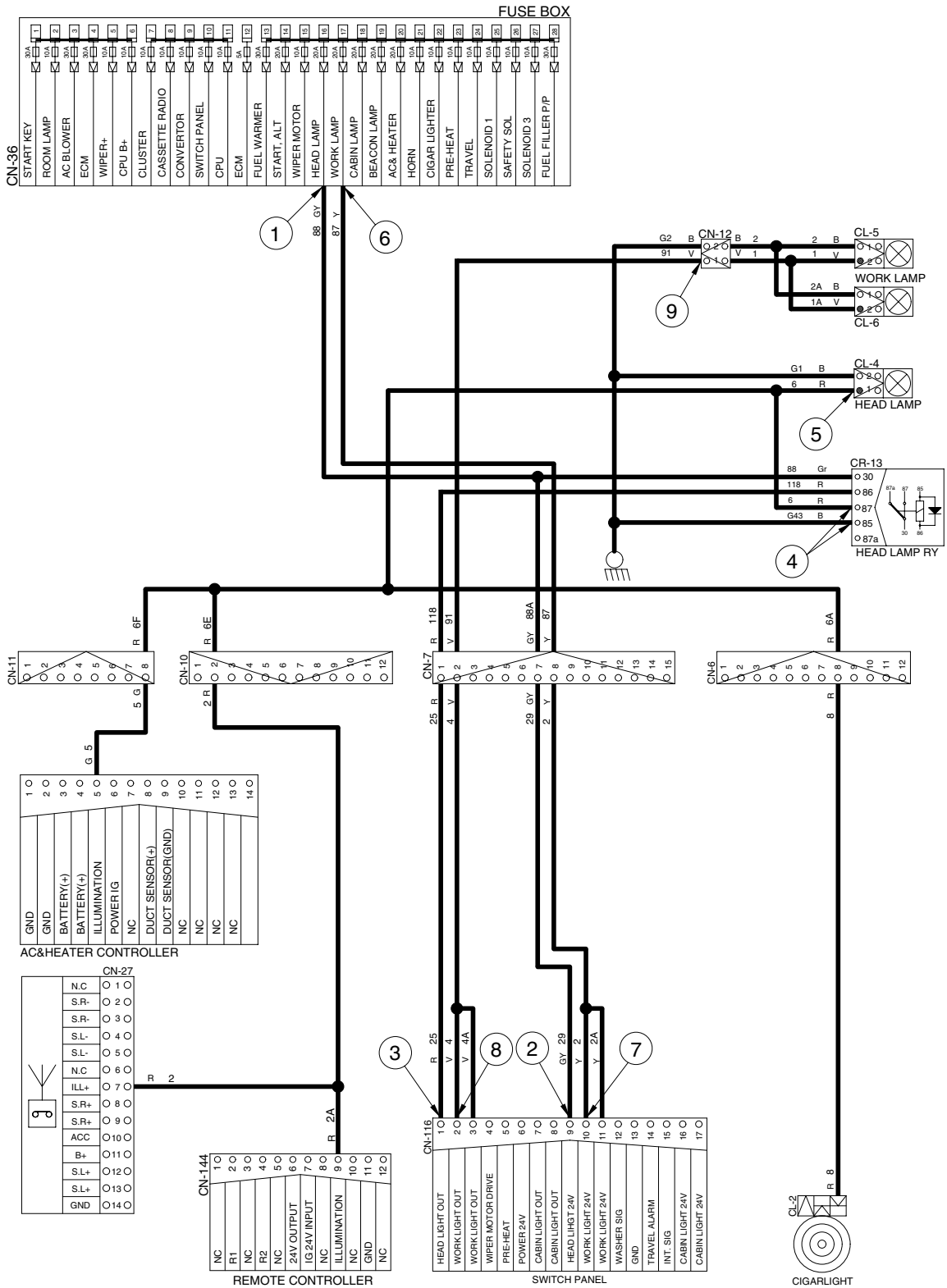
→ Work light ON [CL-5(2), CL-6(2)]

2) CHECK POINT

Engine	Start switch	Check point	Voltage
STOP	ON	① - GND(Fuse box) ② - GND(Switch power input) ③ - GND(Switch power output) ④ - GND(Head light relay)	20~25V
STOP	ON	⑤ - GND(Head light) ⑥ - GND(Fuse box) ⑦ - GND(Switch power input) ⑧ - GND(Switch power output) ⑨ - GND(Work light)	20~25V

※ GND : Ground

HEAD AND WORK LIGHT CIRCUIT



5. BEACON LAMP AND CAB LIGHT CIRCUIT

1) OPERATING FLOW

Fuse box (No.19) → I/conn [CN-8(3)] → Beacon lamp switch [CN-23(6)]

Fuse box (No.18) → I/conn [CN-7(12)] → Switch panel [CN-116(16, 17)]

(1) Beacon lamp switch ON

Beacon lamp switch ON [CS-23(2)] → Switch Indicator lamp ON [CS-23(9)]
 → I/conn [CN-8(4)] → I/conn [CN-10(10)]
 → Beacon lamp ON [CL-7]

(2) Cab light switch ON

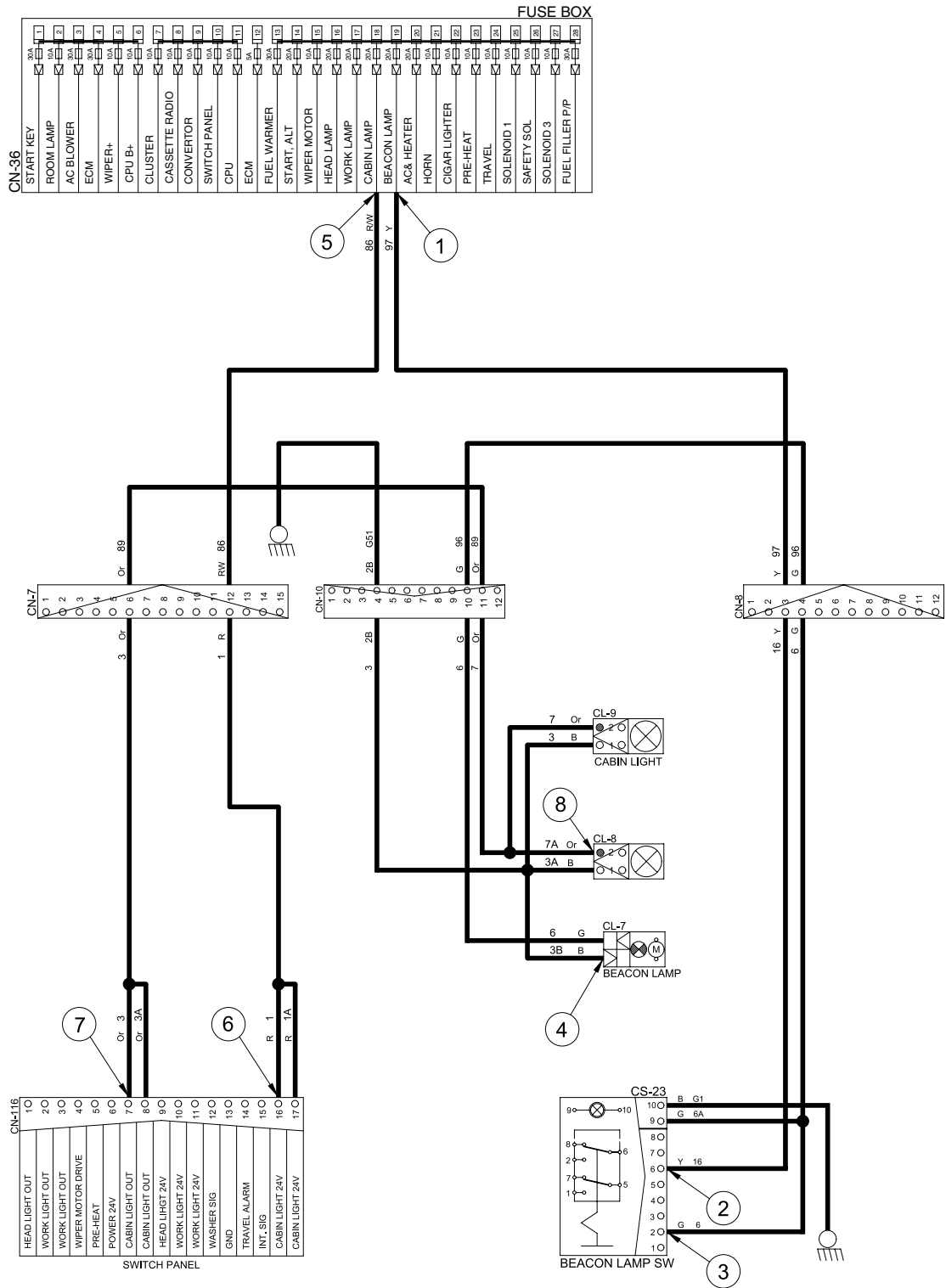
Cab light switch ON [CN-116(7, 8)] → I/conn [CN-7(6)] → I/conn [CN-10(11)]
 → Cab light ON [CL-8(2), CL-9(2)]

2) CHECK POINT

Engine	Start switch	Check point	Voltage
STOP	ON	① - GND(Fuse box) ② - GND(Switch power input) ③ - GND(Switch power output) ④ - GND(Beacon lamp)	20~25V
STOP	ON	⑤ - GND(Fuse box) ⑥ - GND(Switch power input) ⑦ - GND(Switch power output) ⑧ - GND(Cab light)	20~25V

※ GND : Ground

BEACON LAMP AND CAB LIGHT CIRCUIT



2507A4EL09

6. WIPER AND WASHER CIRCUIT

1) OPERATING FLOW

(1) Key switch ON

Fuse box (No.10) → I/conn [CN-7(5)] → Switch panel [CN-116(6)]

Fuse box (No.5) → I/conn [CN-5(4)] → I/conn [CN-17(5)] → Wiper motor controller [CN-141(7)]
 → Wiper motor [CN-21(4)]

Fuse box (No.15) → I/conn [CN-6(5)] → I/conn [CN-17(4)] → Wiper motor controller [CN-141(6)]
 → Washer pump [CN-22(2)]

(2) Wiper switch ON : 1st step(Intermittent)

Wiper switch ON [CN-116(15)] → I/conn[CN-9(4)] → I/conn[CN-6(10)] → I/conn[CN-17(8)]

→ Wiper motor controller [CN-141(10) → (3)] → Wiper motor intermittently operating [CN-21(6)]

(3) Wiper switch ON : 2nd step(Low speed)

Wiper switch ON [CN-116(4)] → I/conn [CN-7(3)] → I/conn [CN-6(9)] → I/conn[CN-17(2)]

Wiper motor controller [CN-141(2) → (4)] → Wiper motor operating [CN-21(2)]

(4) Washer switch ON

Washer switch ON [CN-116(12)] → I/conn [CN-7(9)] → I/conn [CN-5(1)] → I/conn [CN-17(7)]

→ Wiper motor controller [CN-141(9) → (8)] → I/conn [CN-17(6)] → I/conn [CN-6(11)]

→ Washer pump [CN-22(1)] → Washer operating

Wiper switch ON [CN-116(4)] → I/conn [CN-7(3)] → I/conn [CN-6(9)] → I/conn[CN-17(2)]

Wiper motor controller [CN-141(2) → (4)] → Wiper motor operating [CN-21(2)]

(5) Auto parking(When switch OFF)

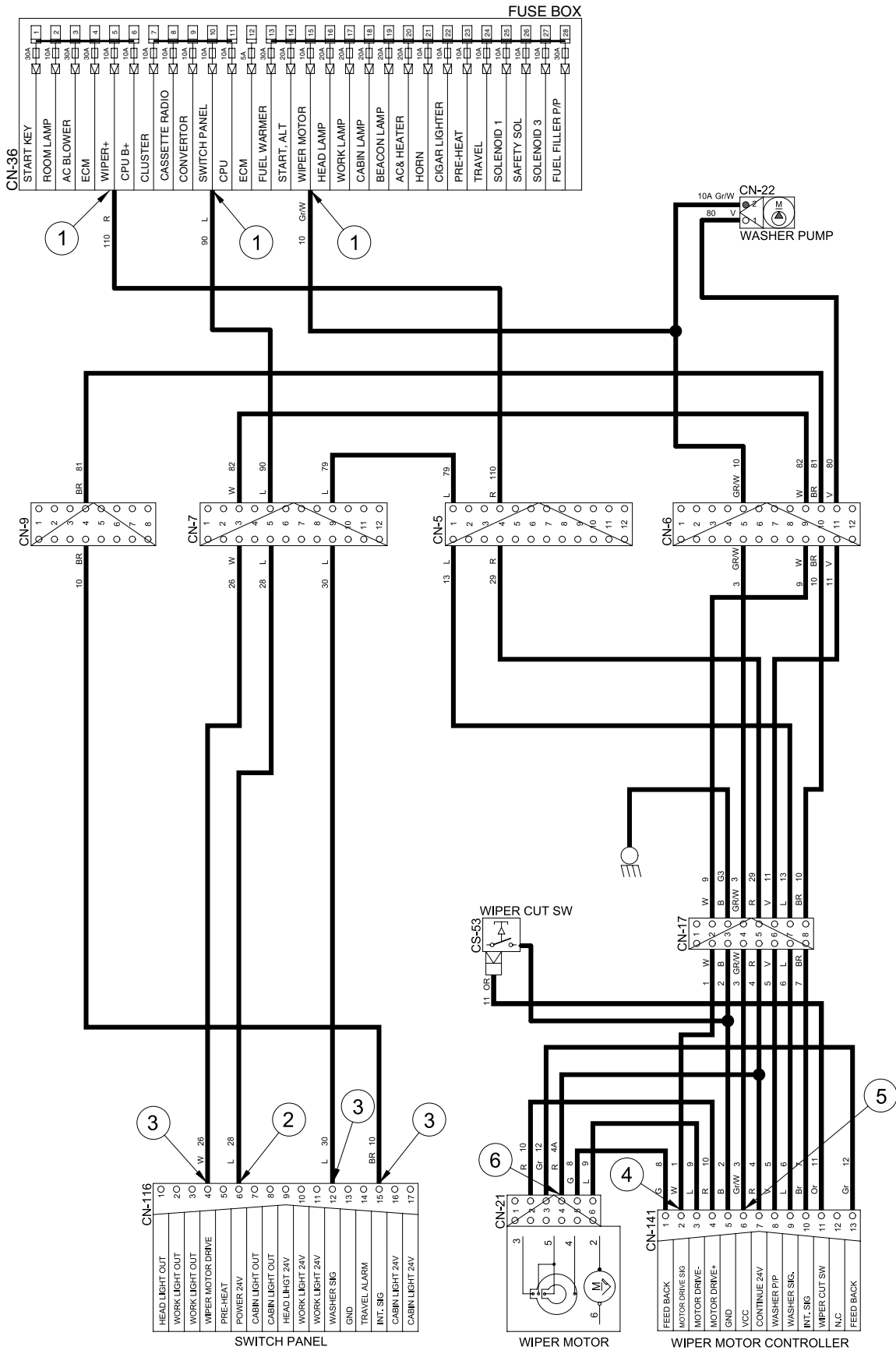
Switch OFF [CN-116(4)] → Wiper motor parking position by wiper motor controller

2) CHECK POINT

Engine	Start switch	Check point	Voltage
STOP	ON	① - GND(Fuse box)	24V
		② - GND(Switch power input)	
		③ - GND(Switch power output)	0 ~ 5V
		④ - GND(Wiper Power input)	
		⑤ - GND(Wiper power output)	0 or 24V
		⑥ - GND(Wiper motor)	

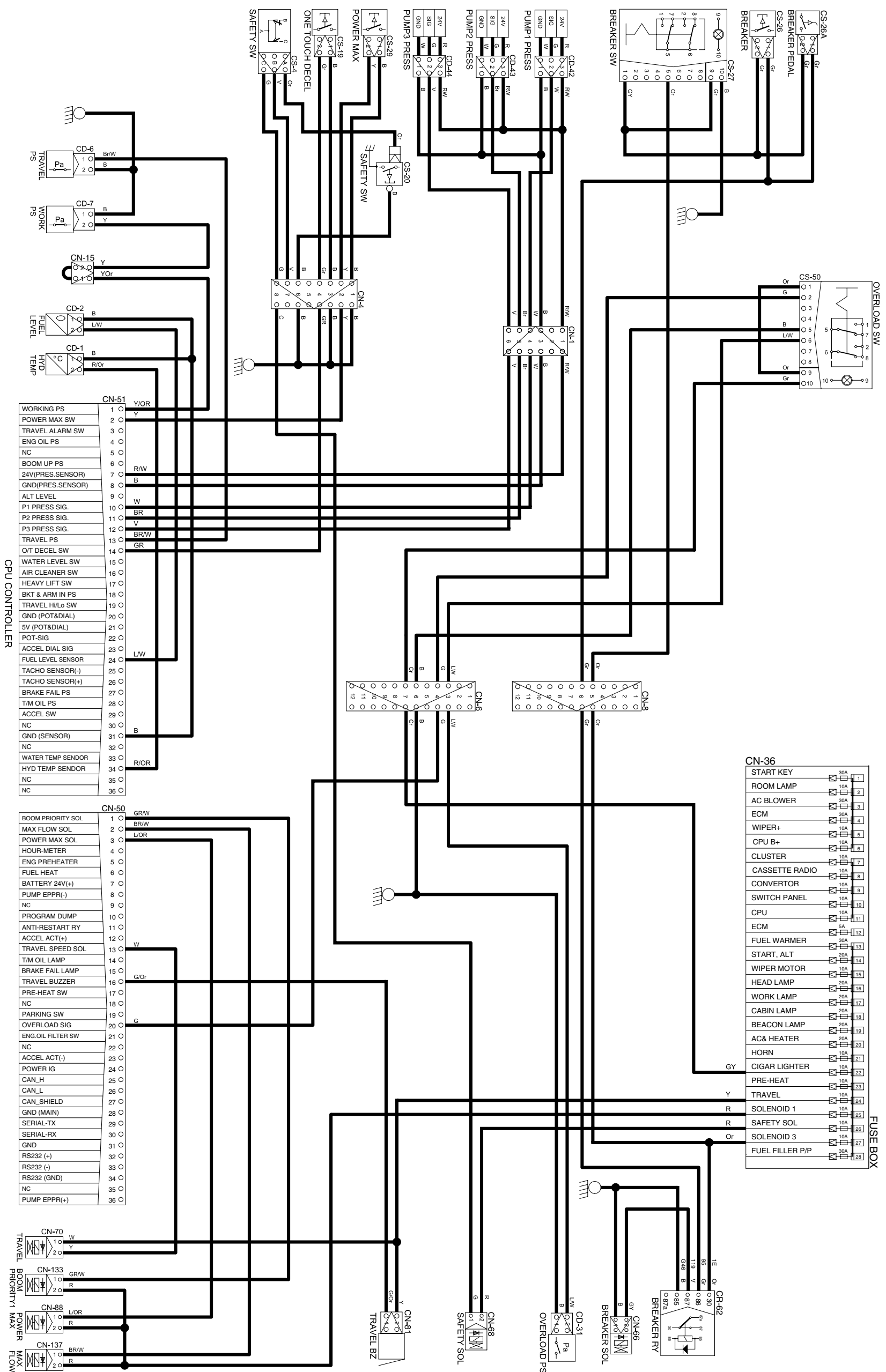
※ GND : Ground

WIPER AND WASHER CIRCUIT



250744EL10

ELECTRIC CIRCUIT FOR HYDRAULIC



MONITORING CIRCUIT

