

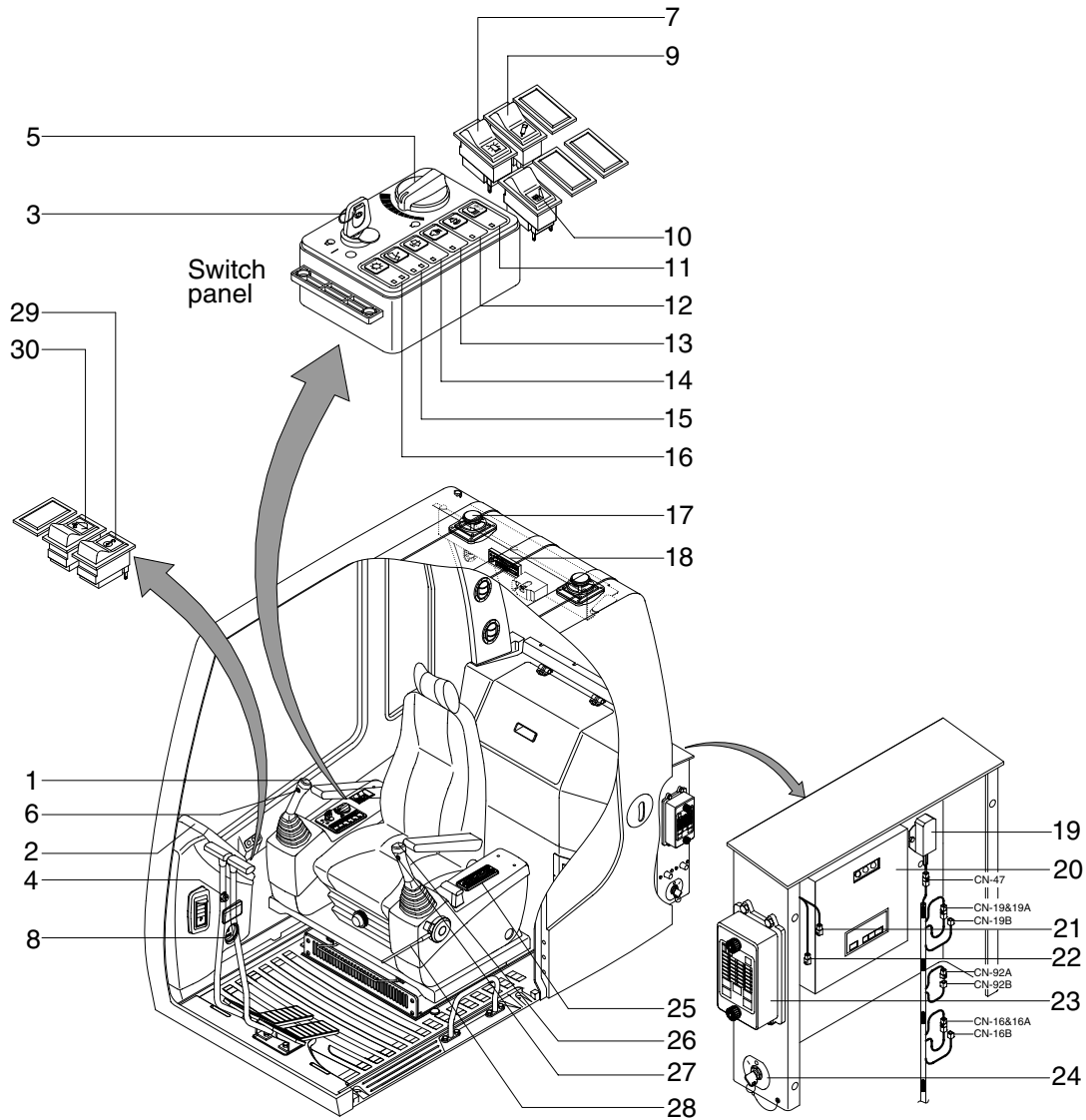
SECTION 4 ELECTRICAL SYSTEM

Group 1 Component Location	4-1
Group 2 Electrical Circuit	4-3
Group 3 Electrical Component Specification	4-20
Group 4 Connectors	4-28

SECTION 4 ELECTRICAL SYSTEM

GROUP 1 COMPONENT LOCATION

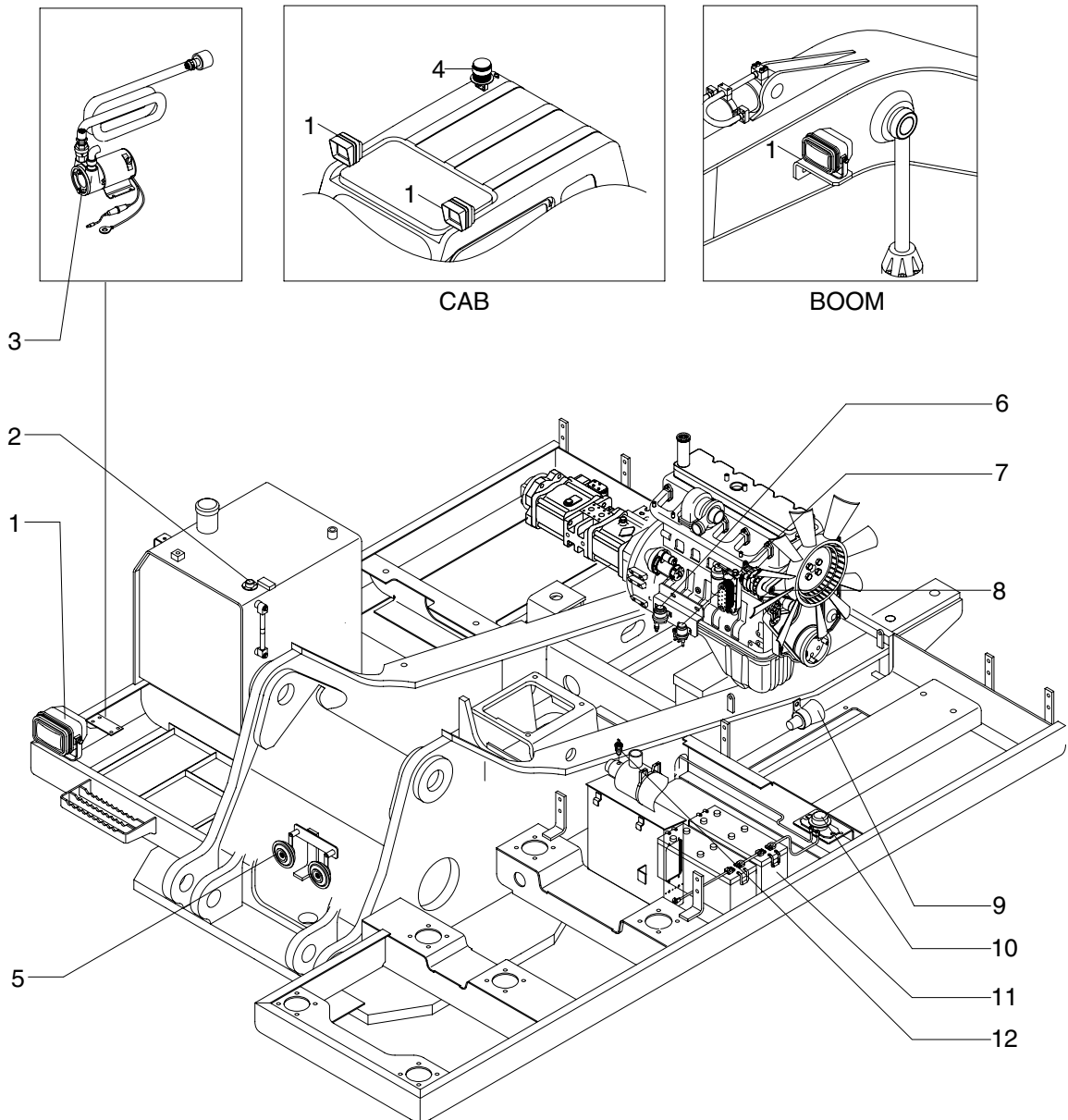
1. LOCATION 1



2507A4EL01

- | | | | | | |
|----|--------------------------|----|--------------------------|----|-------------------------------|
| 1 | Horn switch | 11 | Cab light switch | 21 | RS232 serial connector |
| 2 | Cluster | 12 | Travel alarm stop switch | 22 | J1939 serial connector |
| 3 | Starting switch | 13 | Preheat switch | 23 | Fuse box |
| 4 | Cigar lighter | 14 | Washer switch | 24 | Master switch |
| 5 | Accel dial | 15 | Wiper switch | 25 | Air con & heater switch panel |
| 6 | Breaker operation switch | 16 | Main light switch | 26 | One touch decel switch |
| 7 | Beacon switch | 17 | Speaker | 27 | Power max switch |
| 8 | Service meter | 18 | Cassette & radio | 28 | Safety lever |
| 9 | Breaker selection switch | 19 | Prolinx resistor | 29 | Overload switch |
| 10 | Heated seat switch | 20 | CPU controller | 30 | Quick coupling switch |

2. LOCATION 2



2507A4EL02

- | | | | | | |
|---|------------------|---|--------------|----|---------------------|
| 1 | Lamp | 5 | Horn | 9 | Travel alarm buzzer |
| 2 | Fuel sender | 6 | Start relay | 10 | Battery relay |
| 3 | Fuel filler pump | 7 | Heater valve | 11 | Battery |
| 4 | Beacon lamp | 8 | Alternator | 12 | Air cleaner switch |