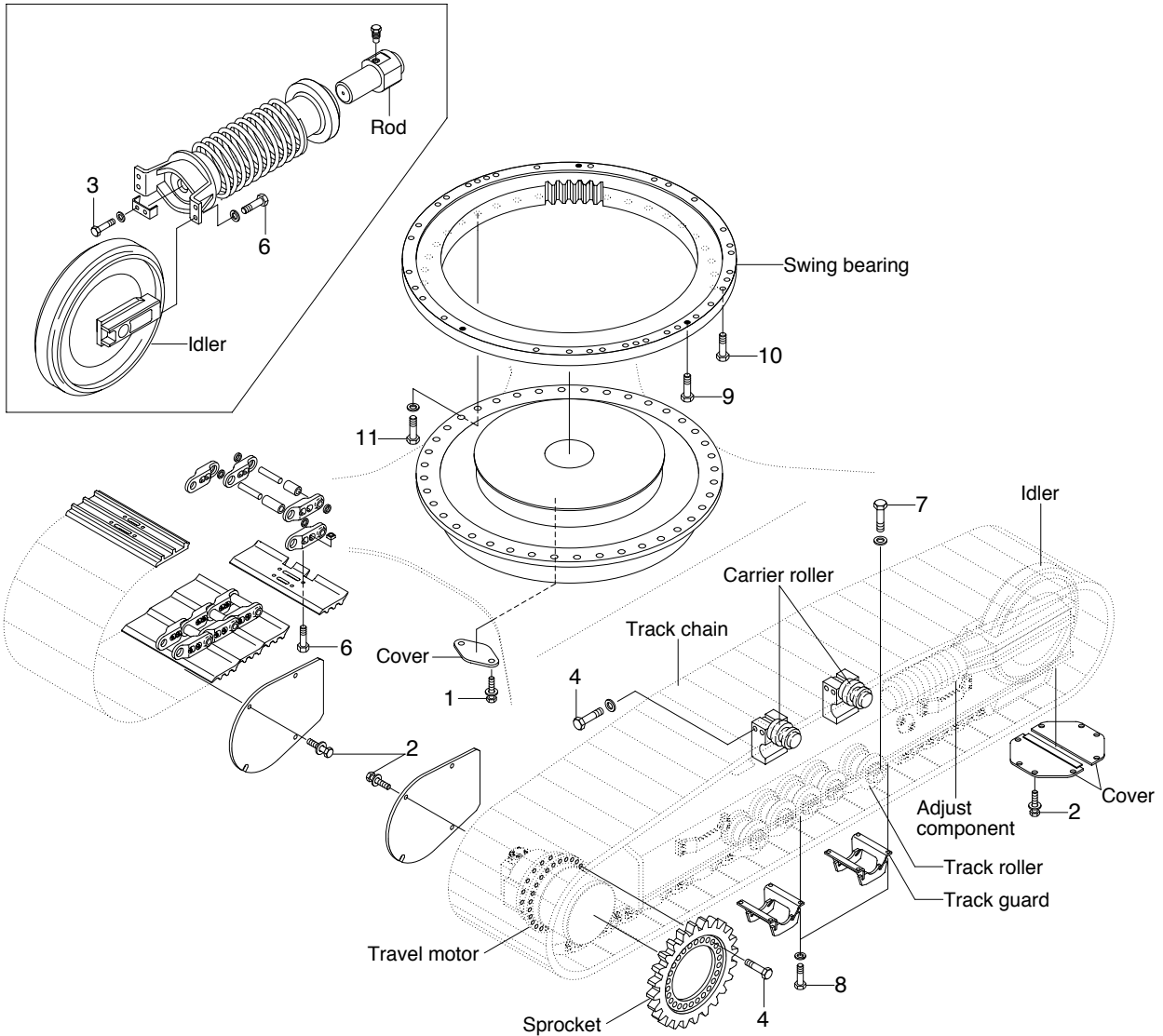


GROUP 5 UNDERCARRIAGE

ADJUST COMPONENT



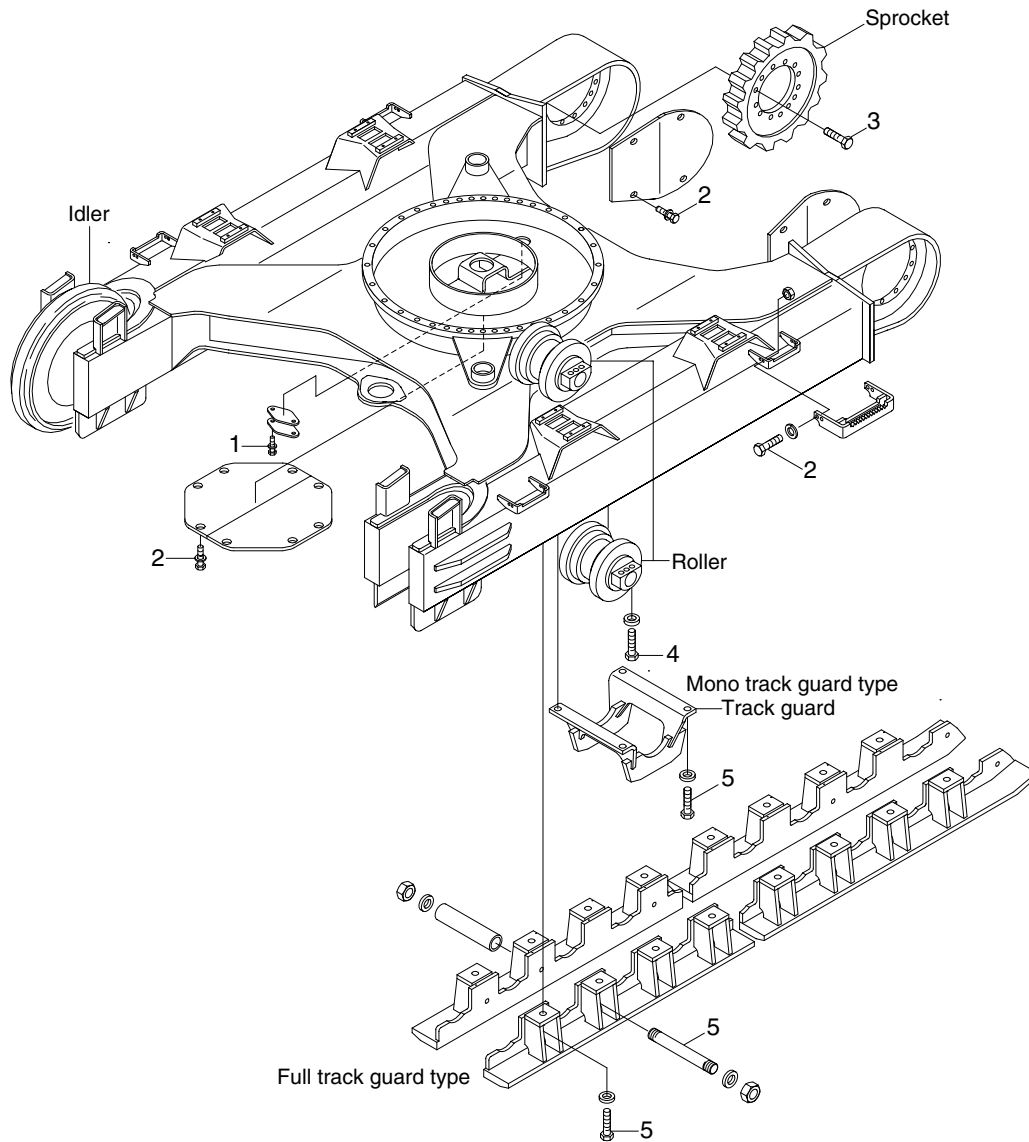
25079CM08

· Tightening torque

Item	Size	kgf · m	lbf · ft
1	M10 × 1.5	6.9 ± 1.4	49.9 ± 10.1
2	M12 × 1.75	12.8 ± 3.0	92.6 ± 21.7
3	M12 × 1.75	15 ± 0.5	108 ± 3.6
4	M16 × 2.0	23 ± 2.5	166 ± 18.1
5	M16 × 2.0	29.7 ± 4.5	215 ± 32.5
6	M20 × 1.5	78 ± 8.0	564 ± 57.9

Item	Size	kgf · m	lbf · ft
7	M20 × 2.5	54.7 ± 5.0	396 ± 36.2
8	M20 × 2.5	57.9 ± 8.7	419 ± 62.9
9	M20 × 2.5	57.8 ± 6.4	418 ± 46.3
10	M22 × 2.5	77.4 ± 8.0	560 ± 57.9
11	M24 × 3.0	100 ± 10	723 ± 72.3

UNDERCARRIAGE MOUNTING(HIGH WALKER)



29079CM11

· Tightening torque

Item	Size	kgf · m	lbf · ft
1	M10×1.5	6.9±1.4	49.9±10.1
2	M12×1.75	12.2±1.3	88.2±9.4
3	M20×2.5	51±4.0	369±28.9

Item	Size	kgf · m	lbf · ft
4	M20×2.5	57.9±8.6	419±62.2
5	M24×3.0	100±15	723±108
6	-	-	-