

SECTION 7 MAINTENANCE STANDARD



Group 1	Operational Performance Test	7-1
Group 2	Major Components	7-21
Group 3	Track and Work Equipment	7-31

SECTION 7 MAINTENANCE STANDARD

GROUP 1 OPERATIONAL PERFORMANCE TEST

1. PURPOSE

Performance tests are used to check:

1) OPERATIONAL PERFORMANCE OF A NEW MACHINE

Whenever a new machine is delivered in parts and reassembled at a customer's site, it must be tested to confirm that the operational performance of the machine meets **Hyundai spec**.

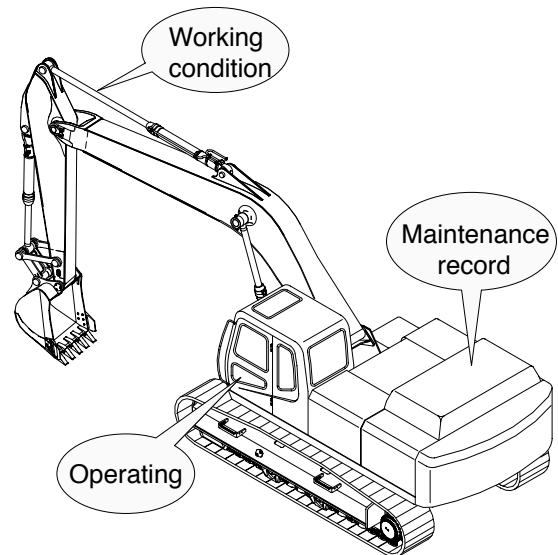
2) OPERATIONAL PERFORMANCE OF A WORKING MACHINE

With the passage of time, the machine's operational performance deteriorates, so that the machine needs to be serviced periodically to restore it to its original performance level.

Before servicing the machine, conduct performance tests to check the extent of deterioration, and to decide what kind of service needs to be done (by referring to the "Service Limits" in this manual).

3) OPERATIONAL PERFORMANCE OF A REPAIRED MACHINE

After the machine is repaired or serviced, it must be tested to confirm that its operational performance was restored by the repair and/or service work done.

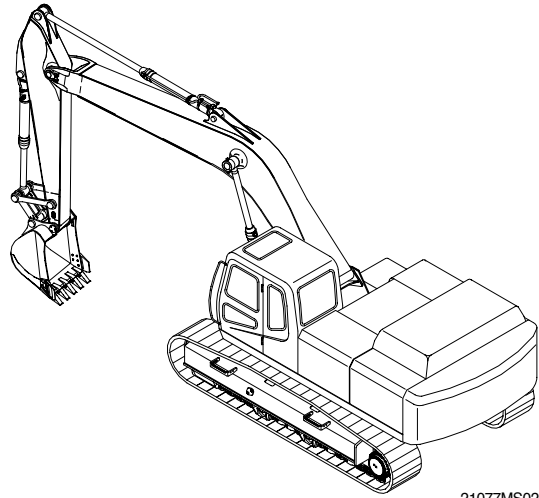


21077MS01

2. TERMINOLOGY

1) STANDARD

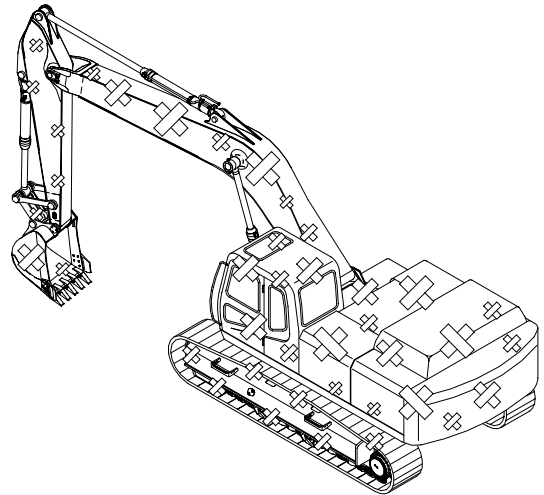
Specifications applied to the brand-new machine, components and parts.



21077MS02

2) SERVICE LIMIT

The lowest acceptable performance level. When the performance level of the machine falls below this level, the machine must be removed from work and repaired. Necessary parts and components must be replaced.



21077MS03

3. OPERATION FOR PERFORMANCE TESTS

- 1) Observe the following rules in order to carry out performance tests accurately and safely.

- (1) **The machine**

Repair any defects and damage found, such as oil or water leaks, loose bolts, cracks and so on, before starting to test.

- (2) **Test area**

Select a hard, flat surface.

Secure enough space to allow the machine to run straight more than 20m, and to make a full swing with the front attachment extended.

If required, rope off the test area and provide signboards to keep unauthorized personnel away.

- (3) **Precautions**

Before starting to test, agree upon the signals to be employed for communication among coworkers. Once the test is started, be sure to communicate with each other using these signals, and to follow them without fail.

Operate the machine carefully and always give first priority to safety.

While testing, always take care to avoid accidents due to landslides or contact with high voltage power lines. Always confirm that there is sufficient space for full swings.

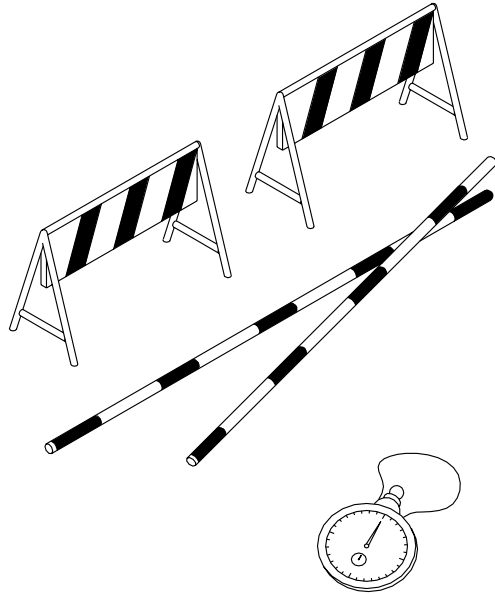
Avoid polluting the machine and the ground with leaking oil. Use oil pans to catch escaping oil. Pay special attention to this when removing hydraulic pipings.

- (4) **Make precise measurements**

Accurately calibrate test instruments in advance to obtain correct data.

Carry out tests under the exact test conditions prescribed for each test item.

Repeat the same test and confirm that the test data obtained can be procured repeatedly. Use mean values of measurements if necessary.



(290-7TIER) 7-3

2) ENGINE SPEED

- (1) Measure the engine speed at each power mode

The engine speed at each power mode must meet standard RPM; if not, all other operational performance data will be unreliable. It is essential to perform this test first.

(2) Preparation

Warm up the machine, until the engine coolant temperature reaches 50°C or more, and the hydraulic oil is 50 ± 5 °C.

Set the accel dial at 10(Max) position.

Push the H-mode switch and confirm that the fuel injection pump governor lever comes into contact with the high-idle stopper.

Measure the engine RPM.

(3) Measurement

Start the engine. The engine will run at start idle speed. Measure engine speed with a tachometer.

Measure and record the engine speed at each mode(H, S).

Select the H-mode.

Lightly operate the bucket control lever a few times, then return the control lever to neutral; The engine will automatically enter the auto-idle speed after 4 seconds.

Measure and record the auto deceleration speed.

(4) Evaluation

The measured speeds should meet the following specifications.

Unit : rpm

Model	Engine speed	Standard	Remarks
R250LC-7	Start idle	1050 ± 100	
	H mode	2250 ± 50	
	S mode	2150 ± 50	
	Auto decel	1200 ± 50	

Condition : Set the accel dial at 10(Max) position.

3) TRAVEL SPEED

(1) Measure the time required for the excavator to travel a 20m test track.

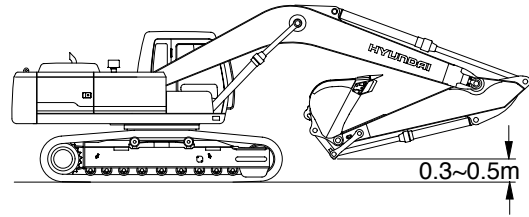
(2) Preparation

Adjust the tension of both tracks to be equal.

Prepare a flat and solid test track 20m length, with extra length of 3 to 5m on both ends for machine acceleration and deceleration.

Hold the bucket 0.3 to 0.5m above the ground with the arm and bucket rolled in.

Keep the hydraulic oil temperature at $50 \pm 5^{\circ}\text{C}$.



290LC7MS01

(3) Measurement

Measure both the low and high speeds of the machine.

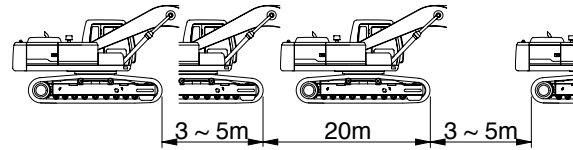
Before starting either the low or high speed tests, adjust the travel mode switch to the speed to be tested, then select the following switch positions.

- Mode selector : H mode

Start traveling the machine in the acceleration zone with the travel levers at full stroke.

Measure the time required to travel 20m. After measuring the forward travel speed, turn the upperstructure 180°, and measure the reverse travel speed.

Repeat steps and three times in each direction and calculate the average values.



290LC7MS02

(4) Evaluation

The average measured time should meet the following specifications.

Unit : Seconds / 20m

Model	Travel speed	Standard	Maximum allowable	Remarks
R250LC-7	1 Speed	20.6 ± 2.0	25.8	
	2 Speed	13.1 ± 1.0	16.4	

4) TRACK REVOLUTION SPEED

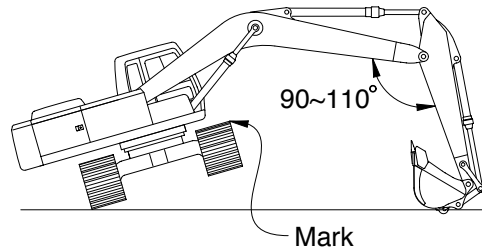
(1) Measure the track revolution cycle time with the track raised off ground.

(2) Preparation

Adjust the tension of both side tracks to be equal.

On the track to be measured, mark one shoe with chalk.

Swing the upperstructure 90° and lower the bucket to raise the track off ground. Keep the boom-arm angle between 90 to 110° as shown. Place blocks under machine frame.



21077MS06

Keep the hydraulic oil temperature at 50 ± 5 °C.

(3) Measurement

Select the following switch positions.

- Travel mode switch : 1 or 2 speed
- Mode selector : H mode
- Auto decel switch : OFF

Operate the travel control lever of the raised track in full forward and reverse.

Rotate 1 turn, then measure time taken for next 3 revolutions.

Raise the other side of machine and repeat the procedure.

Repeat steps and three times and calculate the average values.

(4) Evaluation

The revolution cycle time of each track should meet the following specifications.

Unit : Seconds / 3 revolutions

Model	Travel speed	Standard	Maximum allowable
R250LC-7	1 Speed	28.6 ± 2.0	35.7
	2 Speed	18.8 ± 2.0	23.5

5) TRAVEL DEVIATION

(1) Measure the deviation by the tracks from a 20m straight line.

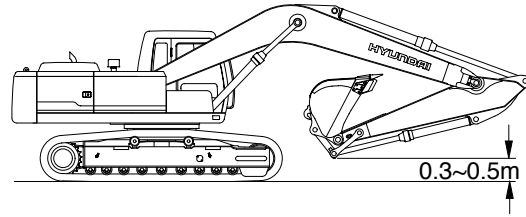
(2) Preparation

Adjust the tension of both tracks to be equal.

Provide a flat, solid test yard 20m in length, with extra length of 3 to 5m on both ends for machine acceleration and deceleration.

Hold the bucket 0.3 to 0.5m above the ground with the arm and bucket rolled in.

Keep the hydraulic oil temperature at $50 \pm 5^{\circ}\text{C}$.



290LC7MS01

(3) Measurement

Measure the amount of mistracking at high and low travel speeds.

Before beginning each test, select the following switch positions.

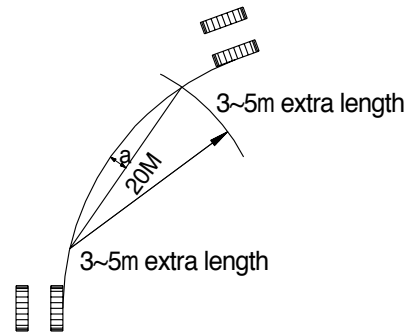
- Mode selector : H mode

Start traveling the machine in the acceleration zone with the travel levers at full stroke.

Measure the distance between a straight 20m line and the track made by the machine.(Dimension a)

After measuring the tracking in forward travel, turn the upperstructure 180, and measure that in reverse travel.

Repeat steps and three times and calculate the average values.



(290-7TIER) 7-7(2)

(4) Evaluation

Mistrack should be within the following specifications.

Unit : mm / 20m

Model	Standard	Maximum allowable	Remarks
R250LC-7	200 below	250	

6) SWING SPEED

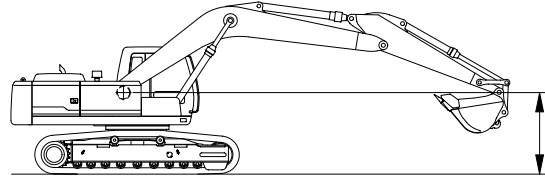
(1) Measure the time required to swing three complete turns.

(2) Preparation

Check the lubrication of the swing gear and swing bearing.

Place the machine on flat, solid ground with ample space for swinging. Do not conduct this test on slopes.

With the arm rolled out and bucket rolled in, hold the bucket so that the height of the bucket pin is the same as the boom foot pin. The bucket must be empty. Keep the hydraulic oil temperature at 50 ± 5 °C.



290LC7MS03

(3) Measurement

Select the following switch positions.

- Mode selector : Each mode

Operate swing control lever fully.

Swing 1 turn and measure time taken to swing next 3 revolutions.

Repeat steps and three time and calculate the average values.

(4) Evaluation

The time required for 3 swings should meet the following specifications.

Unit : Seconds / 3 revolutions

Model	Power selector switch	Standard	Maximum allowable
R250LC-7	H mode	14.7 ± 1.5	18.4

7) SWING FUNCTION DRIFT CHECK

- (1) Measure the swing drift on the bearing outer circumference when stopping after a 360° full speed swing.

(2) Preparation

Check the lubrication of the swing gear and swing bearing.

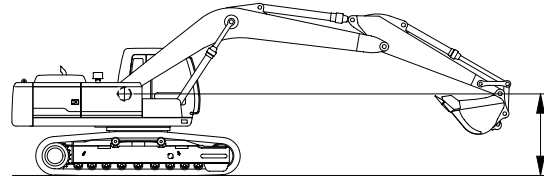
Place the machine on flat, solid ground with ample space for swinging. Do not conduct this test on slopes.

With the arm rolled out and bucket rolled in, hold the bucket so that the height of the bucket pin is the same as the boom foot pin. The bucket must be empty.

Make two chalk marks: one on the swing bearing and one directly below it on the track frame.

Swing the upperstructure 360°.

Keep the hydraulic oil temperature at $50 \pm 5^{\circ}\text{C}$.



290LC7MS03

(3) Measurement

Conduct this test in the H mode.

Select the following switch positions.

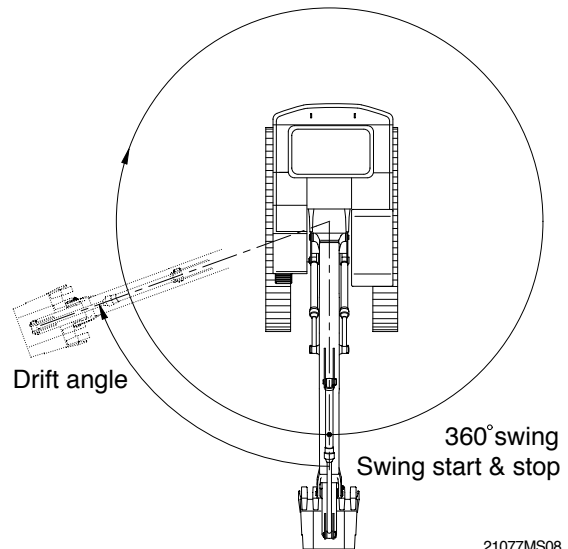
- Mode selector : H mode

Operate the swing control lever fully and return it to the neutral position when the mark on the upperstructure aligns with that on track frame after swinging 360°.

Measure the distance between the two marks.

Align the marks again, swing 360°, then test the opposite direction.

Repeat steps and three times each and calculate the average values.



21077MS08

(4) Evaluation

The measured drift angle should be within the following specifications.

Unit : Degree

Model	Mode select switch	Standard	Maximum allowable	Remarks
R250LC-7	H mode	120 below	150	

8) SWING BEARING PLAY

(1) Measure the swing bearing play using a dial gauge to check the wear of bearing races and balls.

(2) Preparation

Check swing bearing mounting cap screws for loosening.

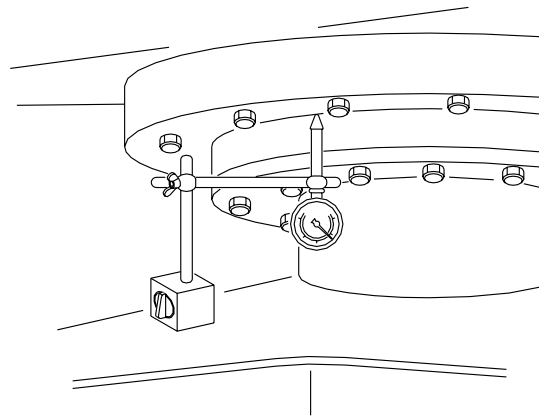
Check the lubrication of the swing bearing. Confirm that bearing rotation is smooth and without noise.

Install a dial gauge on the track frame as shown, using a magnetic base.

Position the upperstructure so that the boom aligns with the tracks facing towards the front idlers.

Position the dial gauge so that its needle point comes into contact with the bottom face of the bearing outer race.

Bucket should be empty.



(290-7TIER) 7-10(1)

(3) Measurement

With the arm rolled out and bucket rolled in, hold the bottom face of the bucket to the same height of the boom foot pin.

Record the dial gauge reading(h1).

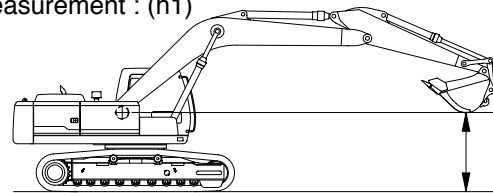
Lower the bucket to the ground and use it to raise the front idler 50cm.

Record the dial gauge reading(h2).

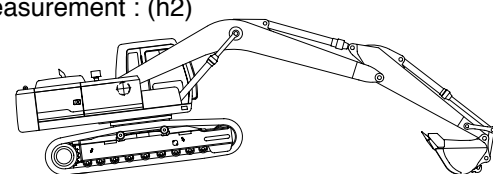
Calculate bearing play(H) from this data(h1 and h2) as follows.

$$H=h2-h1$$

Measurement : (h1)



Measurement : (h2)



290LC7MS04

(4) Evaluation

The measured drift should be within the following specifications.

Unit : mm

Model	Standard	Maximum allowable	Remarks
R250LC-7	0.5 ~ 1.5	3.0	

9) HYDRAULIC CYLINDER CYCLE TIME

- (1) Measure the cycle time of the boom, standard arm, and standard bucket cylinders.

(2) Preparation

To measure the cycle time of the boom cylinders:

With the arm rolled out and the empty bucket rolled out, lower the bucket to the ground, as shown.

To measure the cycle time of the arm cylinder:

With the empty bucket rolled in, position the arm so that it is vertical to the ground.

Lower the boom until the bucket is 0.5m above the ground.

To measure the cycle time of the bucket cylinder:

The empty bucket should be positioned at midstroke between roll-in and roll-out, so that the sideplate edges are vertical to the ground.

Keep the hydraulic oil temperature at $50 \pm 5^{\circ}\text{C}$.

(3) Measurement

Select the following switch positions.

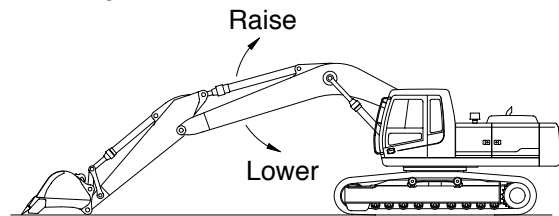
- Mode selector : H mode
To measure cylinder cycle times.
- Boom cylinders.

Measure the time it takes to raise the boom, and the time it takes to lower the boom. To do so, position the boom at one stroke end then move the control lever to the other stroke end as quickly as possible.

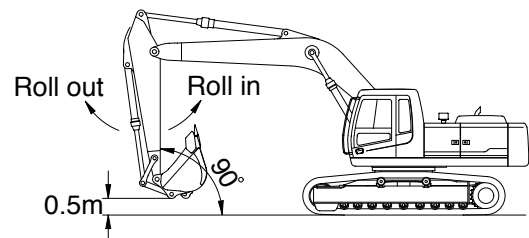
- Arm cylinder.

Measure the time it takes to roll in the arm, and the time it takes to roll out the arm. To do so, position the bucket at one stroke end, then move the control lever to the other stroke end as quickly as possible.

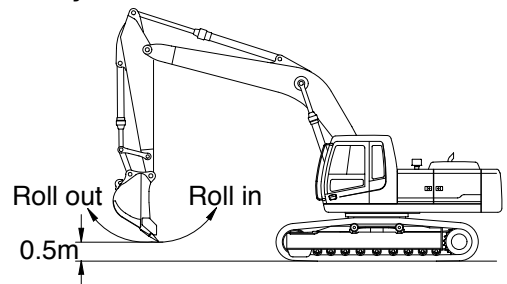
Boom cylinder



Arm cylinder



Bucket cylinder



21077MS10

-Bucket cylinders

Measure the time it takes to roll in the bucket, and the time it takes to roll out the bucket. To do so, position the bucket at one stroke end, then move the control lever to the other stroke end as quickly as possible.

-Repeat each measurement 3 times and calculate the average values.

(4) Evaluation

The average measured time should meet the following specifications.

Unit : Seconds

Model	Function	Standard	Maximum allowable	Remarks
R250LC-7	Boom raise	3.6 ± 0.4	4.3	
	Boom lower	3.4 ± 0.4	4.1	
	Arm in	3.6 ± 0.4	4.3	
	Arm out	2.7 ± 0.3	3.3	
	Bucket load	2.7 ± 0.4	3.3	
	Bucket dump	2.5 ± 0.3	3.0	

10) DIG FUNCTION DRIFT CHECK

- (1) Measure dig function drift, which can be caused by oil leakage in the control valve and boom, standard arm, and standard bucket cylinders, with the loaded bucket. When testing the dig function drift just after cylinder replacement, slowly operate each cylinder to its stroke end to purge air.

(2) Preparation

Load bucket fully. Instead of loading the bucket, weight(W) of the following specification can be used.

$$W = M^3 \times 1.5$$

Where :

$$M^3 = \text{Bucket heaped capacity}(m^3)$$

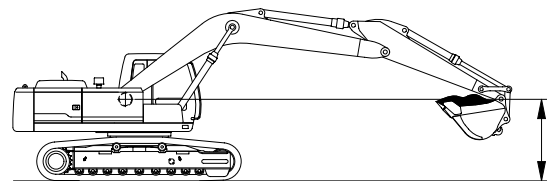
$$1.5 = \text{Soil specific gravity}$$

Position the arm cylinder with the rod 20 to 30mm extended from the fully retracted position.

Position the bucket cylinder with the rod 20 to 30mm retracted from the fully extended position.

With the arm rolled out and bucket rolled in, hold the bucket so that the height of the bucket pin is the same as the boom foot pin.

Keep the hydraulic oil temperature at $50 \pm 5^\circ C$.



290LC7MS05

(3) Measurement

Stop the engine.

Five minutes after the engine has been stopped, measure the changes in the positions of the boom, arm and bucket cylinders.

Repeat step three times and calculate the average values.

- (4) The measured drift should be within the following specifications.

Unit : mm / 5min

Model	Drift to be measured	Standard	Maximum allowable	Remarks
R250LC-7	Boom cylinder	10 below	20	
	Arm cylinder	10 below	20	
	Bucket cylinder	40 below	50	

11) CONTROL LEVER OPERATING FORCE

(1) Use a spring scale to measure the maximum resistance of each control lever at the middle of the grip.

(2) Preparation

Keep the hydraulic oil temperature at $50 \pm 5^{\circ}\text{C}$.

(3) Measurement

Start the engine.

Select the following switch positions.

- Mode selector : H mode

Operate each boom, arm, bucket and swing lever at full stroke and measure the maximum operating force for each.

Lower the bucket to the ground to raise one track off the ground. Operate the travel lever at full stroke and measure the maximum operating force required. When finished, lower the track and then jack-up the other track.

Repeat steps and three times and calculate the average values.

(4) Evaluation

The measured operating force should be within the following specifications.

Unit : kgf

Model	Kind of lever	Standard	Maximum allowable	Remarks
R250LC-7	Boom lever	1.6 or below	2.0	
	Arm lever	1.6 or below	2.0	
	Bucket lever	1.6 or below	2.0	
	Swing lever	1.6 or below	2.0	
	Travel lever	2.1 or below	3.15	

12) CONTROL LEVER STROKE

- (1) Measure each lever stroke at the lever top using a ruler.

When the lever has play, take a half of this value and add it to the measured stroke.

(2) Preparation

Keep the hydraulic oil temperature at 50 ± 5 °C.

(3) Measurement

Stop the engine.

Measure each lever stroke at the lever top from neutral to the stroke end using a ruler.

Repeat step three times and calculate the average values.

(4) Evaluation

The measured drift should be within the following specifications.

Unit : mm

Model	Kind of lever	Standard	Maximum allowable	Remarks
R250LC-7	Boom lever	87 ± 10	109	
	Arm lever	87 ± 10	109	
	Bucket lever	87 ± 10	109	
	Swing lever	87 ± 10	109	
	Travel lever	142 ± 10	178	

13) PILOT PRIMARY PRESSURE

(1) Preparation

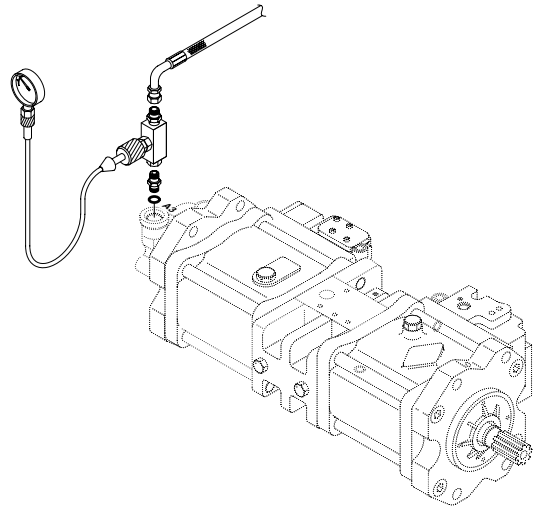
Stop the engine.

Remove the top cover of the hydraulic tank oil supply port with a wrench.

Loosen and remove plug on the pilot pump delivery port and connect pressure gauge.

Start the engine and check for oil leakage from the port.

Keep the hydraulic oil temperature at $50 \pm 5^{\circ}\text{C}$.



290LC7MS10

(2) Measurement

Select the following switch positions.

- Mode selector : H mode
- Auto decel switch : OFF

Measure the primary pilot pressure in the H mode.

(3) Evaluation

The average measured pressure should meet the following specifications:

Unit : kgf / cm^2

Model	Engine speed	Standard	Allowable limits	Remarks
R250LC-7	H mode	35 ± 5	-	

14) FOR TRAVEL SPEED SELECTING PRESSURE

(1) Preparation

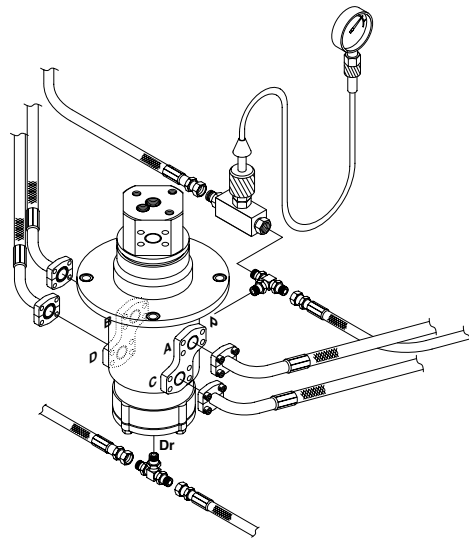
Stop the engine.

Remove the top cover of the hydraulic tank oil supply port with a wrench.

Push the pressure release button to bleed air.

To measure the speed selecting pressure:
Install a connector and pressure gauge assembly to turning joint P port as shown.
Start the engine and check for on leakage from the adapter.

Keep the hydraulic oil temperature at $50 \pm 5, C$.



(2) Measurement

Select the following switch positions.

Travel mode switch : 1 speed
2 speed

· Mode selector : H mode

Measure the travel speed selecting pressure in the Hi or Lo mode.

Lower the bucket to the ground to raise the track off the ground. Operate the travel lever at full stroke and measure the fast speed pressure.

Repeat steps and three times and calculate the average values.

21077MS13

(3) Evaluation

The average measured pressure should be within the following specifications.

Unit : kgf / cm²

Model	Travel speed mode	Standard	Maximum allowable	Remarks
R250LC-7	1 Speed	0	-	
	2 Speed	35 ± 5	-	

15) SWING PARKING BRAKE RELEASING PRESSURE

(1) Preparation

Stop the engine.

Remove the top cover of the hydraulic tank oil supply port with a wrench.

The pressure release L wrench to bleed air.

Install a connector and pressure gauge assembly to swing motor SH port, as shown.

Start the engine and check for oil leakage from the adapter.

Keep the hydraulic oil temperature at $50 \pm 5^{\circ}\text{C}$.

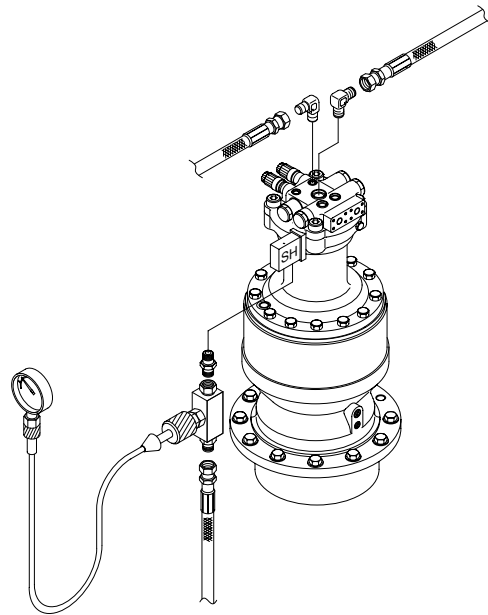
(2) Measurement

Select the following switch positions.

- Mode selector : H mode

Operate the swing function or arm roll in function and measure the swing brake control pressure with the brake disengaged. Release the control lever to return to neutral and measure the control pressure when the brake is applied.

Repeat step three times and calculate the average values.



25077MS14

(3) Evaluation

The average measured pressure should be within the following specifications.

Unit : kgf / cm^2

Model	Description	Standard	Allowable limits	Remarks
R250LC-7	Brake disengaged	35	26~44	
	Brake applied	0	-	

16) MAIN PUMP DELIVERY PRESSURE

(1) Preparation

Stop the engine.

Remove the top cover of the hydraulic tank oil supply port with a wrench.

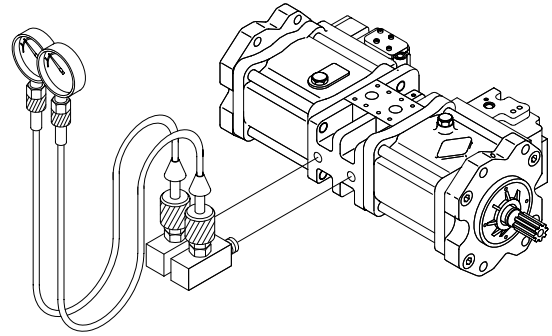
Push the pressure release button to bleed air.

To measure the main pump pressure.

Install a connector and pressure gauge assembly main pump gauge port as shown.

Start the engine and check for oil leakage from the port.

Keep the hydraulic oil temperature at $50 \pm 5, C$.



290LC7MS07

(2) Measurement

Select the following switch positions.

- Mode selector : H mode

Measure the main pump delivery pressure in the H mode(High idle).

(3) Evaluation

The average measured pressure should meet the following specifications.

Unit : kgf / cm²

Model	Engine speed	Standard	Allowable limits	Remarks
R250LC-7	High ilde	40 ± 5	-	

17) SYSTEM PRESSURE REGULATOR RELIEF SETTING

(1) Preparation

Stop the engine.

Remove the top cover of the hydraulic tank oil supply port with a wrench.

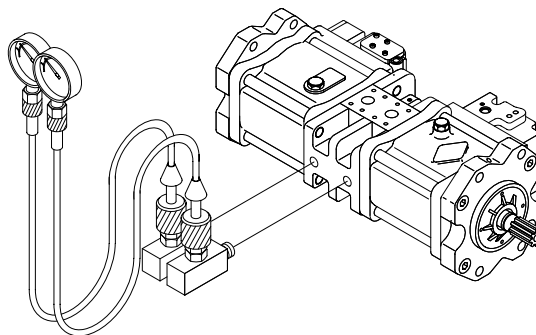
Push the pressure release button to bleed air.

To measure the system relief pressure.

Install a connector and pressure gauge assembly main pump gauge port, as shown.

Start the engine and check for oil leakage from the port.

Keep the hydraulic oil temperature at $50 \pm 5^{\circ}\text{C}$.



290LC7MS07

(2) Measurement

Select the following switch positions.

- Mode selector : H mode

Slowly operate each control lever of boom, arm and bucket functions at full stroke over relief and measure the pressure.

In the swing function, place bucket against an immovable object and measure the relief pressure.

In the travel function, lock undercarriage with an immovable object and measure the relief pressure.

(3) Evaluation

The average measured pressure should be within the following specifications.

Unit : kgf / cm²

Model	Function to be tested	Standard	Port relief v/v setting
R250LC-7	Boom, Arm, Bucket	330(360) ± 10	390 ± 10
	Travel	330 ± 10	-
	Swing	275 ± 10	-

() : Power boost