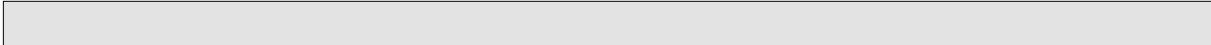


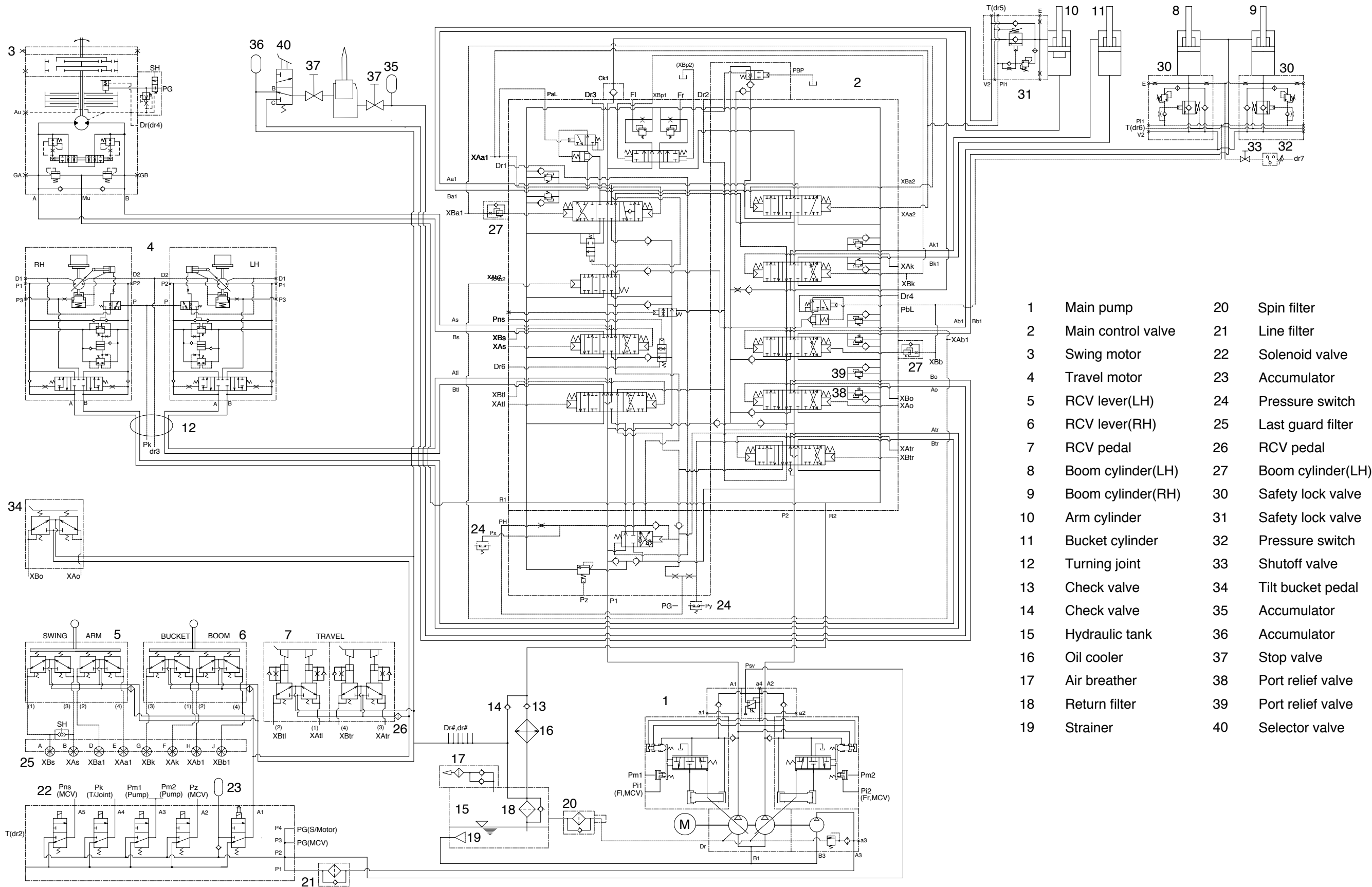
# SECTION 3 HYDRAULIC SYSTEM



Group 1 Hydraulic Circuit	3-1
Group 2 Main Circuit	3-2
Group 3 Pilot Circuit	3-5
Group 4 Single Operation	3-13
Group 5 Combined Operation	3-23

SECTION 3 HYDRAULIC SYSTEM

GROUP 1 HYDRAULIC CIRCUIT



- |    |                    |    |                   |
|----|--------------------|----|-------------------|
| 1  | Main pump          | 20 | Spin filter       |
| 2  | Main control valve | 21 | Line filter       |
| 3  | Swing motor        | 22 | Solenoid valve    |
| 4  | Travel motor       | 23 | Accumulator       |
| 5  | RCV lever(LH)      | 24 | Pressure switch   |
| 6  | RCV lever(RH)      | 25 | Last guard filter |
| 7  | RCV pedal          | 26 | RCV pedal         |
| 8  | Boom cylinder(LH)  | 27 | Boom cylinder(LH) |
| 9  | Boom cylinder(RH)  | 30 | Safety lock valve |
| 10 | Arm cylinder       | 31 | Safety lock valve |
| 11 | Bucket cylinder    | 32 | Pressure switch   |
| 12 | Turning joint      | 33 | Shutoff valve     |
| 13 | Check valve        | 34 | Tilt bucket pedal |
| 14 | Check valve        | 35 | Accumulator       |
| 15 | Hydraulic tank     | 36 | Accumulator       |
| 16 | Oil cooler         | 37 | Stop valve        |
| 17 | Air breather       | 38 | Port relief valve |
| 18 | Return filter      | 39 | Port relief valve |
| 19 | Strainer           | 40 | Selector valve    |

25073HC01