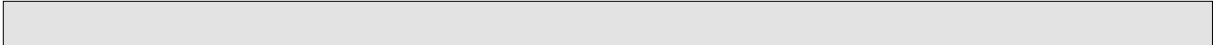


# SECTION 4 ELECTRICAL SYSTEM

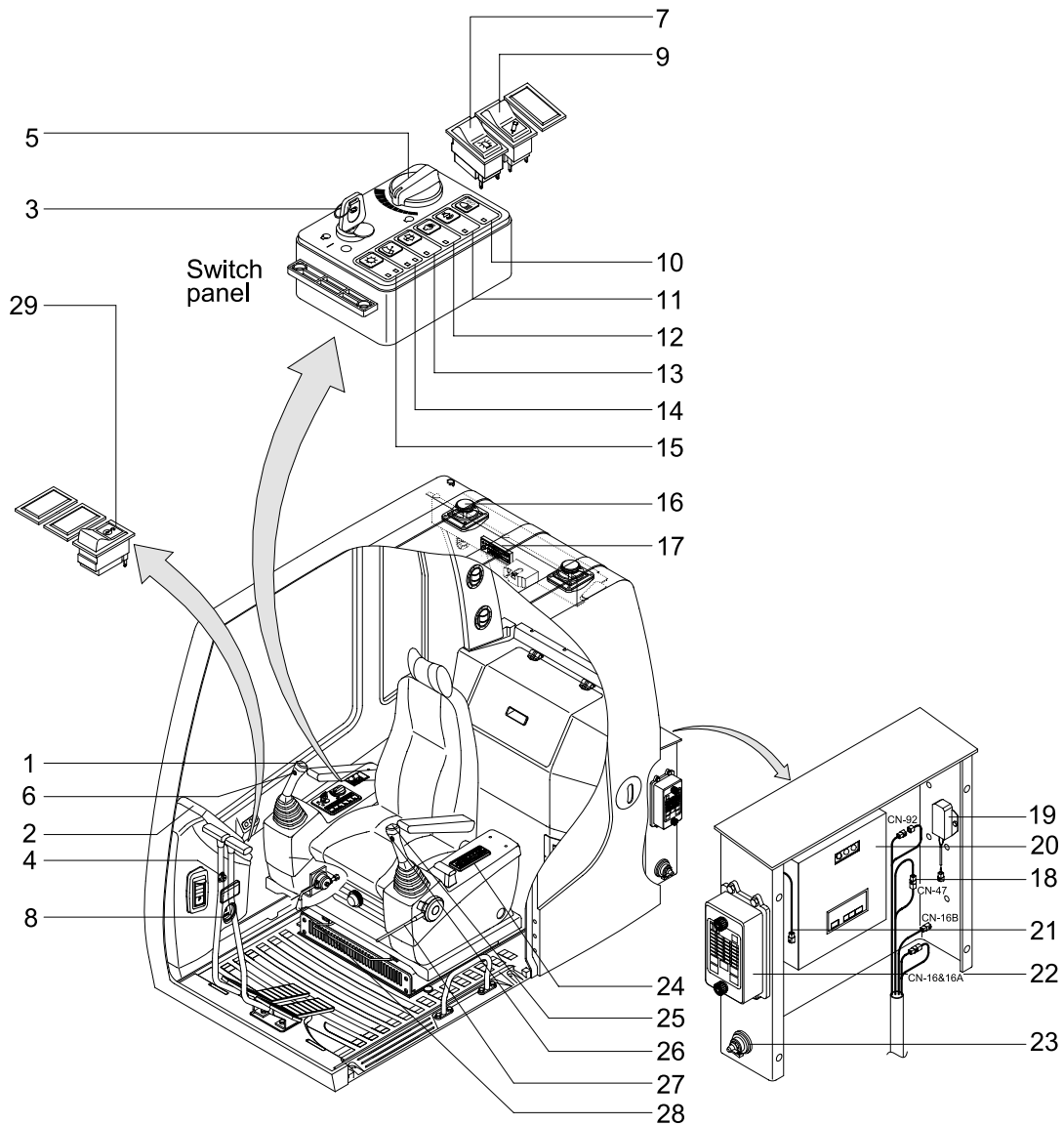


Group 1 Component Location ----- 4-1  
Group 2 Electrical Circuit ----- 4-3  
Group 3 Electrical Component Specification ----- 4-19  
Group 4 Connectors ----- 4-27

# SECTION 4 ELECTRICAL SYSTEM

## GROUP 1 COMPONENT LOCATION

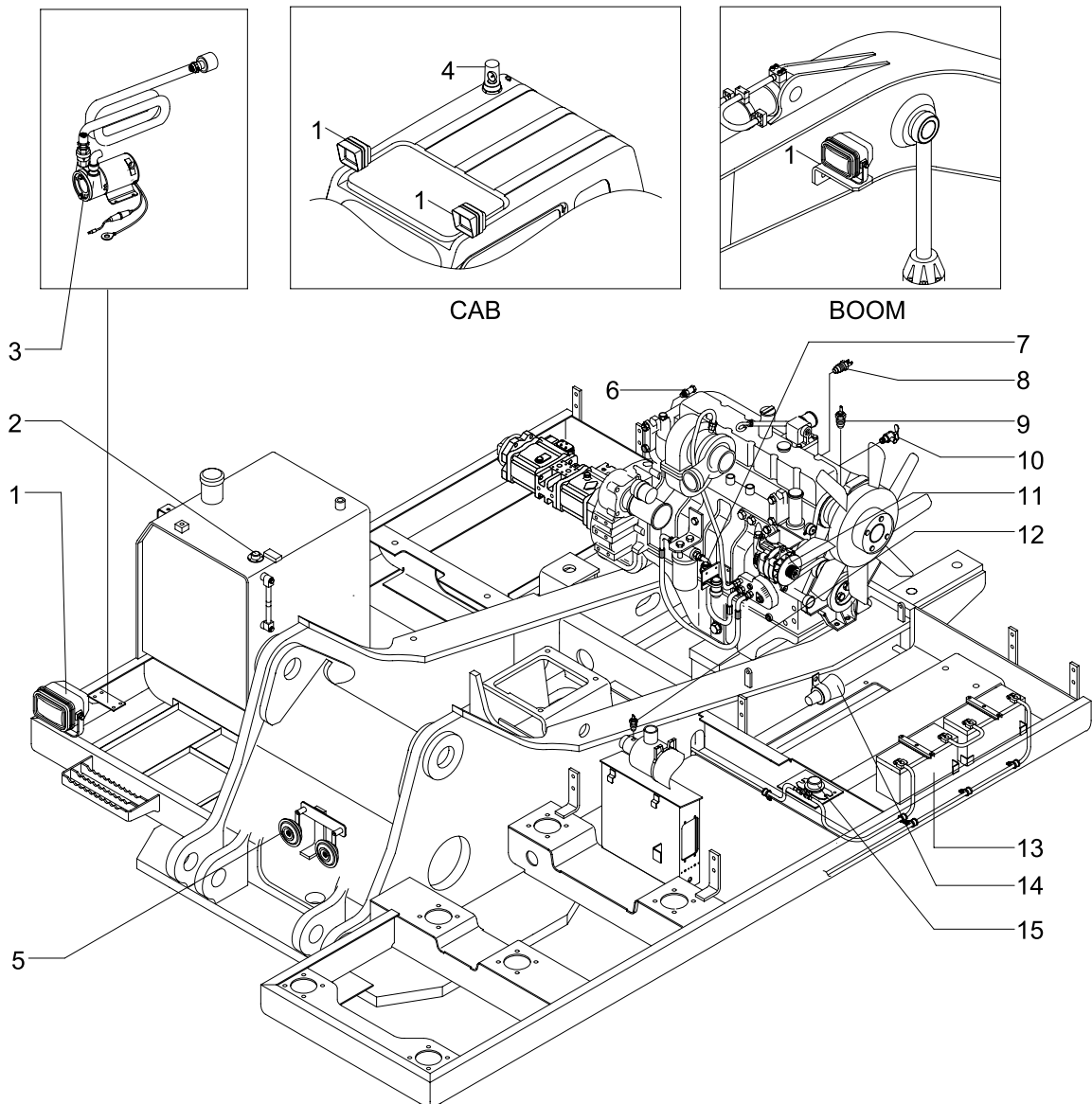
### 1. LOCATION 1



25074EL04

- |    |                          |    |                          |    |                                     |
|----|--------------------------|----|--------------------------|----|-------------------------------------|
| 1  | Horn switch              | 11 | Travel alarm stop switch | 20 | CPU controller                      |
| 2  | Cluster                  | 12 | Preheat switch           | 21 | RS232 serial connector              |
| 3  | Starting switch          | 13 | Washer switch            | 22 | Fuse box                            |
| 4  | Cigar lighter            | 14 | Wiper switch             | 23 | Master switch                       |
| 5  | Accel dial               | 15 | Main light switch        | 24 | Air con & heater switch panel       |
| 6  | Breaker operation switch | 16 | Speaker                  | 25 | One touch decel switch              |
| 7  | Beacon switch            | 17 | Cassette & radio         | 26 | Power max switch                    |
| 8  | Service meter            | 18 | Emergency engine         | 27 | Safety lever                        |
| 9  | Breaker selection switch |    | starting connector       | 28 | Emergency engine acceleration lever |
| 10 | Cab light switch         | 19 | Resistor                 | 29 | Overload switch                     |

## 2. LOCATION 2



25074EL05

- |   |                  |    |                            |    |                     |
|---|------------------|----|----------------------------|----|---------------------|
| 1 | Lamp             | 6  | Speed sensor               | 11 | Alternator          |
| 2 | Fuel sender      | 7  | Start relay                | 12 | Air cleaner switch  |
| 3 | Fuel filler pump | 8  | Engine oil pressure switch | 13 | Battery             |
| 4 | Beacon lamp      | 9  | Temp sender                | 14 | Travel alarm buzzer |
| 5 | Horn             | 10 | Heater valve               | 15 | Battery relay       |