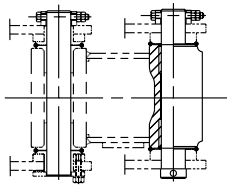
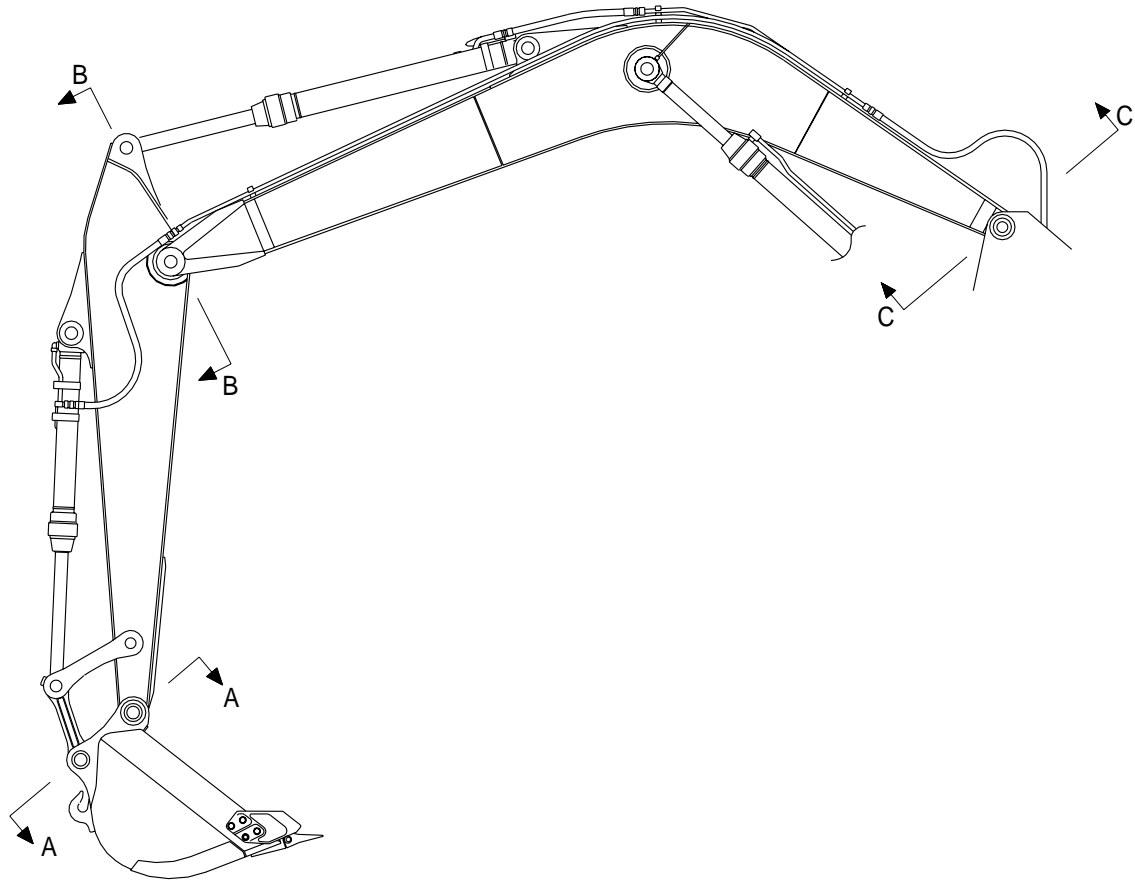
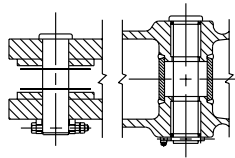


GROUP 11 WORK EQUIPMENT

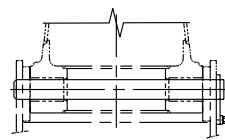
1. STRUCTURE



SECTION A



SECTION B



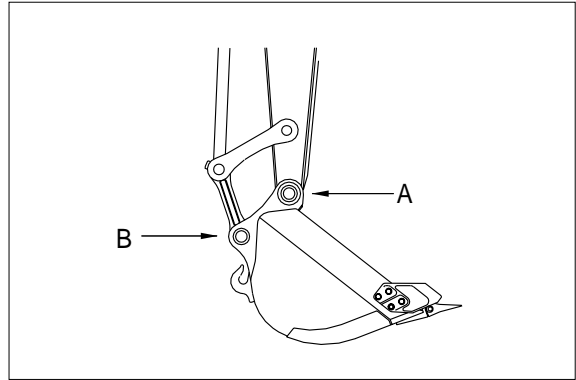
SECTION C

2. REMOVAL AND INSTALL

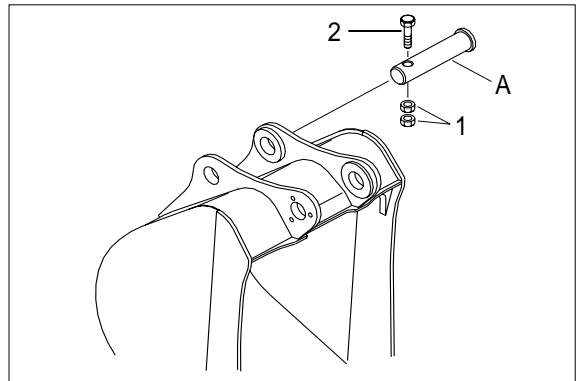
1) BUCKET ASSEMBLY

(1) Removal

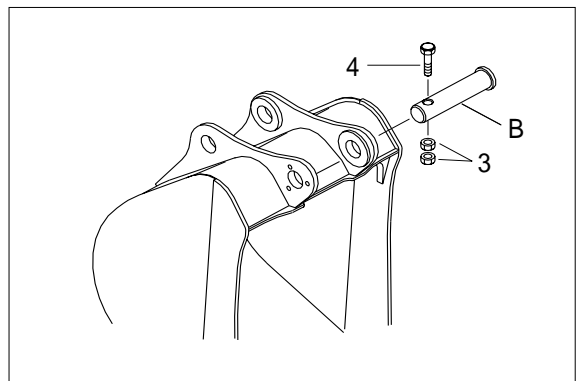
- ① Lower the work equipment completely to ground with back of bucket facing down.



- ② Remove nut(1), bolt(2) and draw out the pin(A).

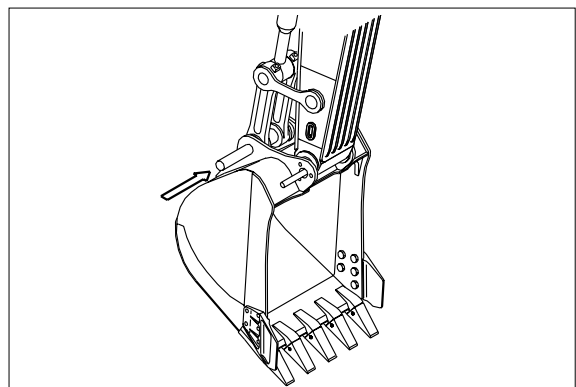


- ③ Remove nut(3), bolt(4) and draw out the pin(B).



(2) Install

- ① Carry out installation in the reverse order to removal.
- ⚠ When aligning the mounting position of the pin, do not insert your fingers in the pin hole.
 - ※ Adjust the bucket clearance.
For detail, see **operation manual**.



2) ARM ASSEMBLY

(1) Removal

※ Loosen the breather slowly to release the pressure inside the hydraulic tank.

▲ Escaping fluid under pressure can penetrate the skin causing serious injury.

① Remove bucket assembly.

For details, see **removal of bucket assembly**.

② Disconnect bucket cylinder hose(1).

▲ Fit blind plugs in the piping at the chassis end securely to prevent oil from spurting out when the engine is started.

③ Sling arm cylinder assembly, remove spring, pin stopper and pull out pin.

※ Tie the rod with wire to prevent it from coming out.

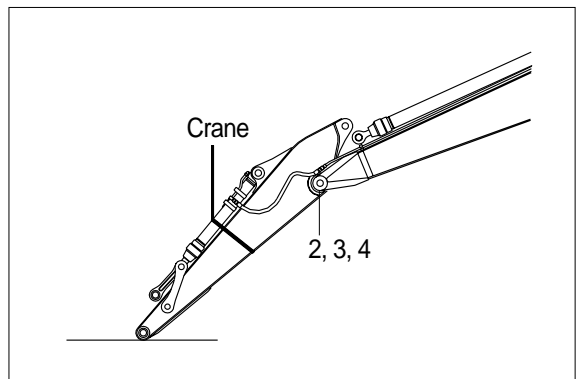
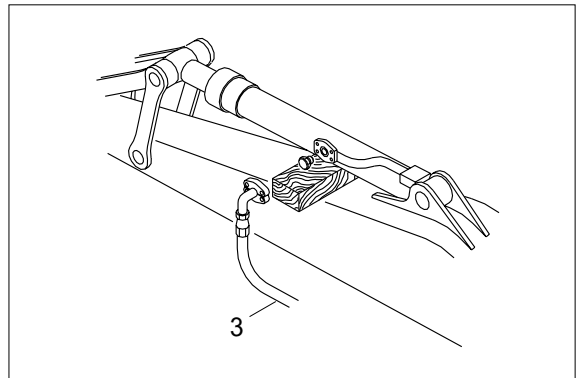
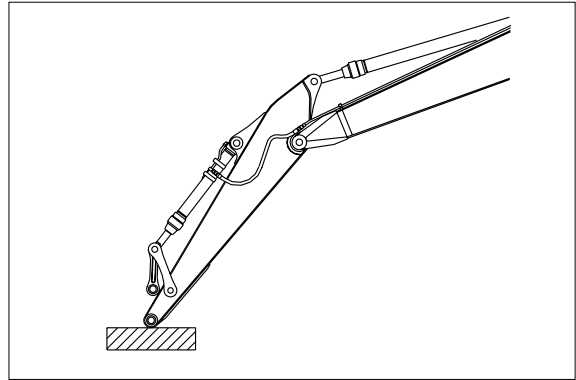
④ For details, see **removal of arm cylinder assembly**.

Place a wooden block under the cylinder and bring the cylinder down to it.

⑤ Remove bolt(2), plate(3) and pull out the pin(4) then remove the arm assembly.

· Weight : 880kg(1940lb)

※ When lifting the arm assembly, always lift the center of gravity.



(2) Install

① Carry out installation in the reverse order to removal.

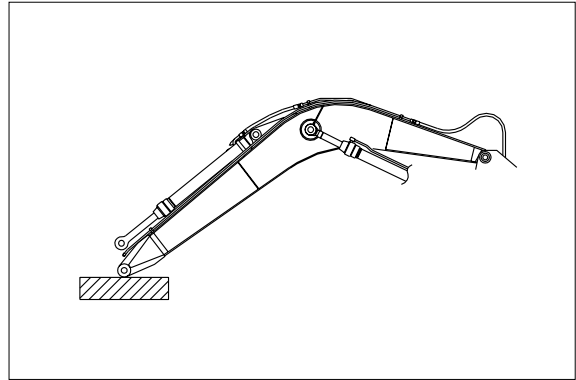
▲ When lifting the arm assembly, always lift the center of gravity.

※ Bleed the air from the cylinder.

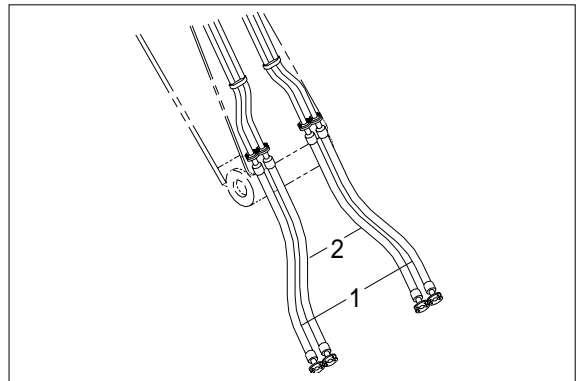
3) BOOM CYLINDER

(1) Removal

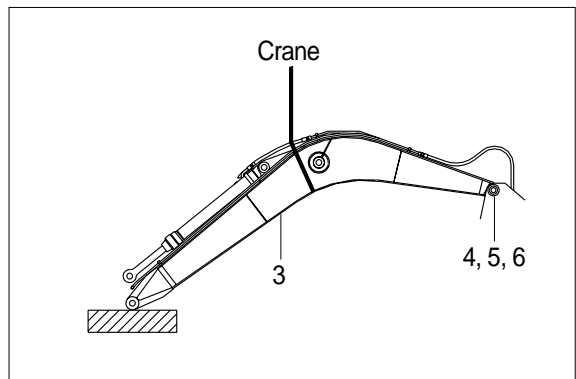
- ① Remove arm and bucket assembly.
For details, see **removal of arm and bucket assembly**.
- ② Remove boom cylinder assembly from boom.
For details, see **removal of arm cylinder assembly**.



- ③ Disconnect head lamp wiring.
- ④ Disconnect bucket cylinder hose(2) and arm cylinder hose(1).
* When the hose are disconnected, oil may spurt out.
- ⑤ Sling boom assembly(3).



- ⑥ Remove bolt(4), plate(5) and pull out the pin(6) then remove boom assembly.
· Weight :1974kg(4352lb)
* When lifting the boom assembly always lift the center of gravity.



(2) Install

- ① Carry out installation in the reverse order to removal.
- ▲ When lifting the arm assembly, always lift the center of gravity.
- * Bleed the air from the cylinder.

