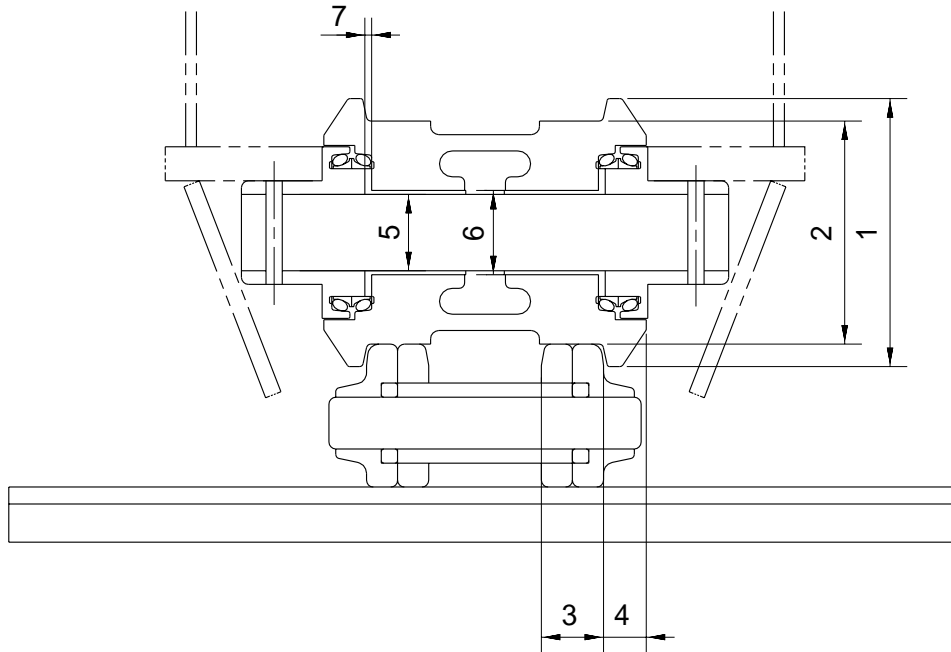


GROUP 3 TRACK AND WORK EQUIPMENT

1. TRACK

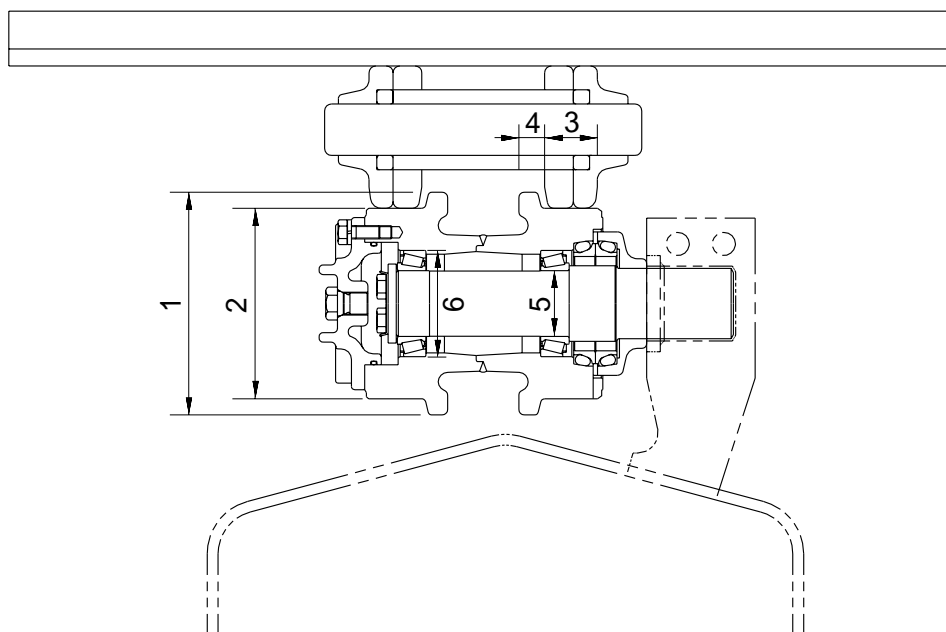
1) TRACK ROLLER



Unit : mm

No.	Check item	Criteria				Remedy
		Standard size		Repair limit		
1	Outside diameter of flange	∅ 193		-		Rebuild or replace
2	Outside diameter of tread	∅ 160		∅ 148		
3	Width of tread	46.5		51.5		
4	Width of flange	32		-		
5	Clearance between shaft and bushing	Standard size	Tolerance		Standard clearance 0.35 to 0.455	Clearance limit 1.5
		∅ 60	Shaft 0 -0.055	Hole +0.40 +0.35		
6	Interference between roller and bushing	Standard size	Tolerance		Standard Interference 0.056 to 0.132	Interference limit -
		∅ 68	Shaft +0.132 +0.102	Hole +0.046 0		
7	Side clearance of roller	Standard clearance		Clearance limit		Replace
		0.35 to 1.3		1.5		

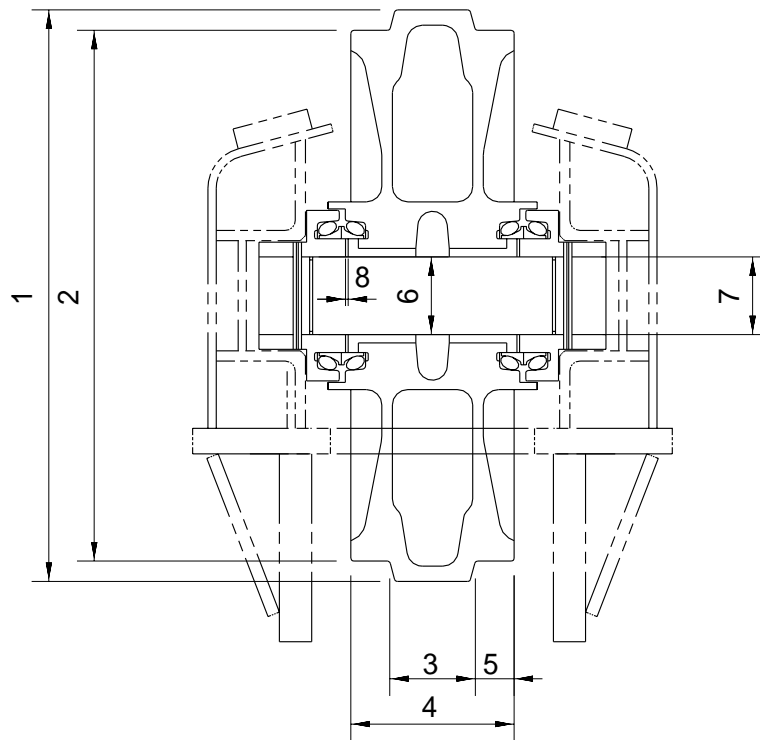
2) CARRIER ROLLER



Unit : mm

No.	Check item	Criteria		Remedy
1	Outside diameter of flange	Standard size	Repair limit	Rebuild or replace
		$\varnothing 169$	-	
2	Outside diameter of tread	$\varnothing 144$	$\varnothing 134$	
3	Width of tread	45.7	50.7	
4	Width of flange	17	-	
5	Clearance between shaft and bearing	Standard size & Tolerance		Standard Interference
		Shaft	Bearing	
		$\varnothing 50 \begin{matrix} +0.033 \\ +0.017 \end{matrix}$	$\varnothing 50 \begin{matrix} 0 \\ -0.012 \end{matrix}$	0.017 to 0.045
6	Interference between bearing and roller	Bearing	Hole	0.018 to 0.073
		$\varnothing 82 \begin{matrix} 0 \\ -0.020 \end{matrix}$	$\varnothing 82 \begin{matrix} -0.038 \\ -0.073 \end{matrix}$	

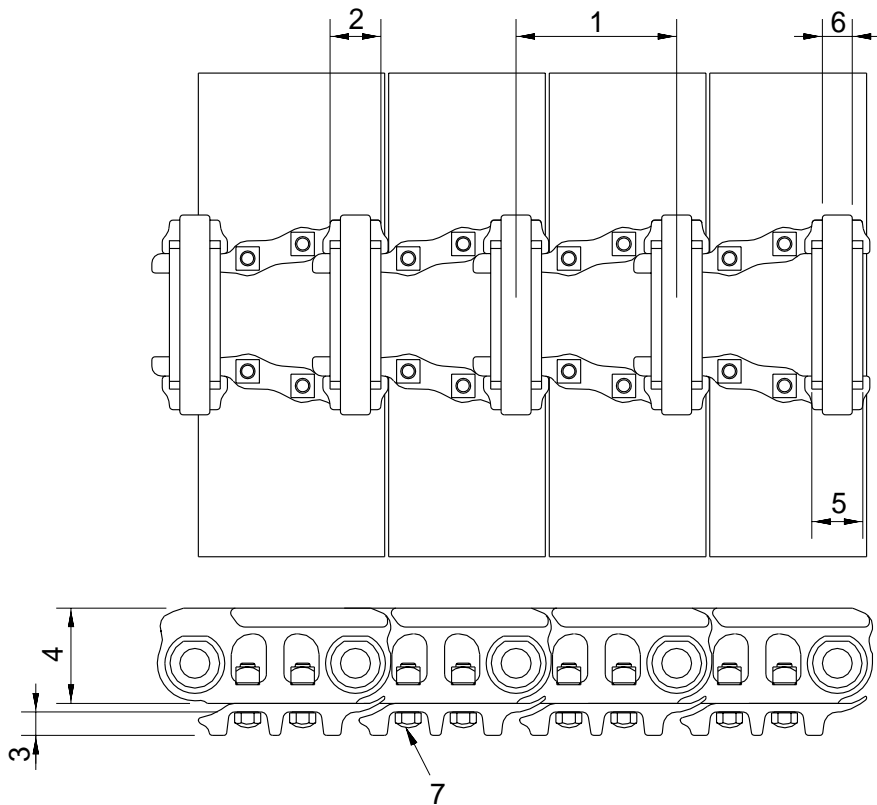
3) IDLER



Unit : mm

No.	Check item	Criteria				Remedy
		Standard size		Repair limit		
1	Outside diameter of protrusion	ø 560		-		Rebuild or replace
2	Outside diameter of tread	ø 520		ø 510		
3	Width of protrusion	84		-		
4	Total width	160		-		
5	Width of tread	38		45		
6	Clearance between shaft and bushing	Standard size & Tolerance		Standard clearance	Clearance limit	Replace bushing
		Shaft	Hole			
7	Clearance between shaft and support	ø 65 ⁰ _{-0.03}	ø 65 ^{+0.07} _{+0.03}	0.03 to 0.1	-	Replace
8	Side clearance of idler (Both side)	Standard clearance		Clearance limit		Replace bushing
		0.65 to 1.2		2.0		

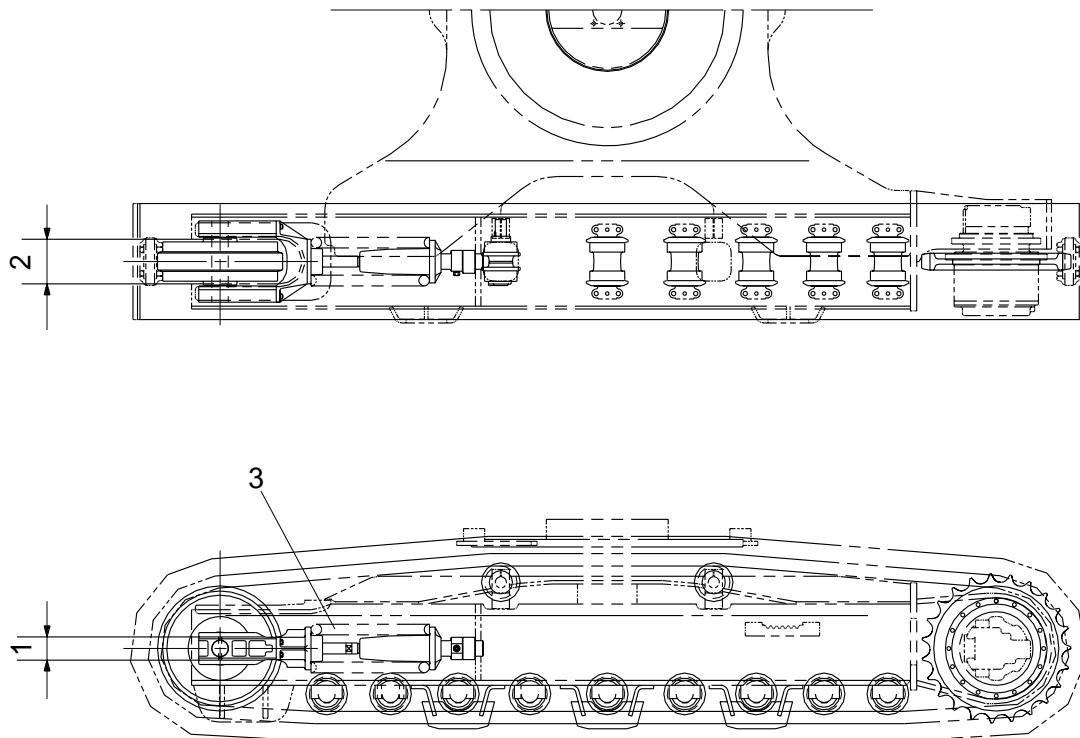
4) TRACK



Unit : mm

No.	Check item	Criteria				Remedy
		Standard size		Repair limit		
1	Link pitch	190		201.2		Turn or replace
2	Outside diameter of bushing	ø 60		ø 54.4		
3	Height of grouser	26		16		Replace
4	Height of link	105 ± 0.2		101		
5	Interference between bushing and link	Standard size & Tolerance		Standard interference	Interference limit	Replace
		Shaft	Hole			
6	Interference between regular pin and link	ø 38 ^{+0.18} _{+0.08}	ø 37.78 ^{+0.1} ₀	0.20 to 0.40	0.1	
7	Tightening torque	Initial tightening torque : 81 ± 4kg · m				Check

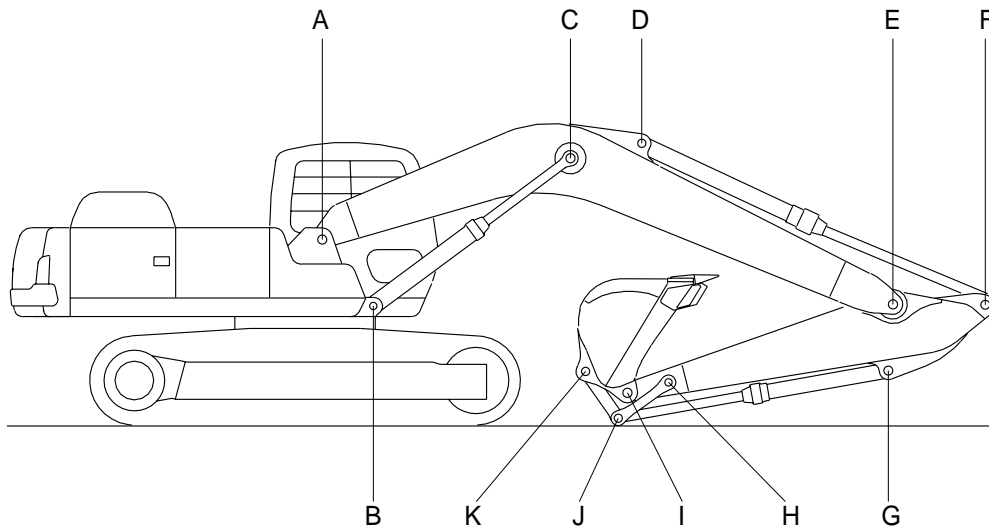
5) TRACK FRAME AND RECOIL SPRING



Unit : mm

No.	Check item	Criteria				Remedy	
			Standard size	Tolerance	Repair limit		
1	Vertical width of idler guide	Track frame	108	+2 0	112	Rebuild or replace	
		Idler support	105	-0.5 -1.0	101		
2	Horizontal width of idler guide	Track frame	249	+3 -1	254		
		Idler support	247	-	244		
3	Recoil spring	Standard size			Repair limit		Replace
		Free length	Installation length	Installation load	Free length	Installation load	
		∅ 238 × 558	437	11132kg	-	8900kg	

2. WORK EQUIPMENT



Unit : mm

Mark	Measuring point (Pin and Bushing)	Normal value	Pin		Bushing		Remedy & Remark
			Recomm. service limit	Limit of use	Recomm. service limit	Limit of use	
A	Boom Rear	100	99	98.5	100.5	101	Replace
B	Boom Cylinder Head	90	89	88.5	90.5	91	"
C	Boom Cylinder Rod	100	99	98.5	100.5	101	"
D	Arm Cylinder Head	90	89	88.5	90.5	91	"
E	Boom Front	100	99	98.5	100.5	101	"
F	Arm Cylinder Rod	90	89	88.5	90.5	91	"
G	Bucket Cylinder Head	90	89	88.5	90.5	91	"
H	Arm Link	80	79	78.5	80.5	81	"
I	Bucket and Arm Link	80	79	78.5	80.5	81	"
J	Bucket Cylinder Rod	80	79	78.5	80.5	81	"
K	Bucket Link	80	79	78.5	80.5	81	"