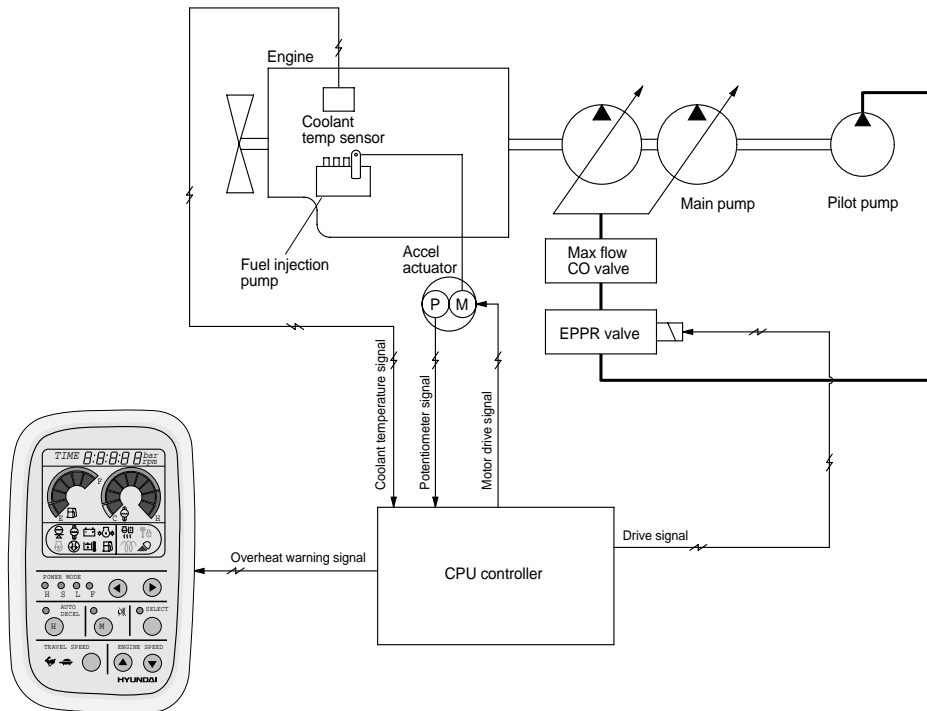


GROUP 7 ENGINE OVERHEAT PREVENTION FUNCTION



1. CPU controller reads engine coolant temperature through the temperature sensor and when the engine coolant boils upto 110°C, it sends overheating warning signal to the cluster and changes mode set to **F** mode.
2. If the coolant temperature drops less than 100°C, the CPU controller returns the mode to the mode set before. And if mode set is changed during the function, the CPU controller cancels the function. Even if the overheat prevention function is canceled by mode change, the overheat warning lamp turns OFF only when the coolant temperature is less than 100°C.

3. LOGIC TABLE

Description	Condition	Function
Actuated	- Coolant temperature : Above 110°C	- Mode : H, S, L → F - Overheat warning lamp & buzzer : ON
Canceled	- Coolant temperature : Less than 100°C - Changed mode set by operator ※ If any of the above conditions is applicable, engine overheat prevention function is canceled	- Return to the mode set before - Hold on the changed mode
Overheat warning lamp	- Coolant temperature : Less than 100°C	- Overheat warning lamp : OFF